

AV RECEIVER/AV AMPLIFIER

RX-V530/RX-V530RDS/HTR-5550/HTR-5550RDS/DSP-AX530

RX-V430/RX-V430RDS/HTR-5540/HTR-5540RDS/DSP-AX430

SERVICE MANUAL

RX-V530/RX-V530RDS/HTR-5550/HTR-5550RDS/DSP-AX530
RX-V430/RX-V430RDS/HTR-5540/HTR-5540RDS/DSP-AX430

IMPORTANT NOTICE

This manual has been provided for the use of authorized YAMAHA Retailers and their service personnel. It has been assumed that basic service procedures inherent to the industry, and more specifically YAMAHA Products, are already known and understood by the users, and have therefore not been restated.

WARNING: Failure to follow appropriate service and safety procedures when servicing this product may result in personal injury, destruction of expensive components, and failure of the product to perform as specified. For these reasons, we advise all YAMAHA product owners that any service required should be performed by an authorized YAMAHA Retailer or the appointed service representative.

IMPORTANT: The presentation or sale of this manual to any individual or firm does not constitute authorization, certification or recognition of any applicable technical capabilities, or establish a principle-agent relationship of any form.

The data provided is believed to be accurate and applicable to the unit(s) indicated on the cover. The research, engineering, and service departments of YAMAHA are continually striving to improve YAMAHA products. Modifications are, therefore, inevitable and specifications are subject to change without notice or obligation to retrofit. Should any discrepancy appear to exist, please contact the distributor's Service Division.

WARNING: Static discharges can destroy expensive components. Discharge any static electricity your body may have accumulated by grounding yourself to the ground buss in the unit (heavy gauge black wires connect to this buss).

IMPORTANT: Turn the unit OFF during disassembly and part replacement. Recheck all work before you apply power to the unit.

■ CONTENTS

| | | | |
|-------------------------------------|-------|-------------------------------|---------|
| TO SERVICE PERSONNEL | 2 | AMP ADJUSTMENT / アンプ部調整 | 42 |
| IMPEDANCE SELECTOR | 2 | DISPLAY DATA | 43~44 |
| FRONT PANELS | 3~5 | IC DATA | 45~50 |
| REAR PANELS | 5~12 | BLOCK DIAGRAM | 51~52 |
| REMOTE CONTROL | 13 | PRINTED CIRCUIT BOARD | 53~64 |
| SPECIFICATIONS | 14~15 | PIN CONNECTION DIAGRAM | 65~66 |
| INTERNAL VIEW | 16~17 | SCHEMATIC DIAGRAM | 67~74 |
| DISASSEMBLY PROCEDURES / 分解手順 | 18~21 | PARTS LIST | 75~100 |
| SELF DIAGNOSIS FUNCTION (DIAG) / | | REMOTE CONTROL | 100~102 |
| 自己診断機能 (ダイアグ) | 22~41 | | |

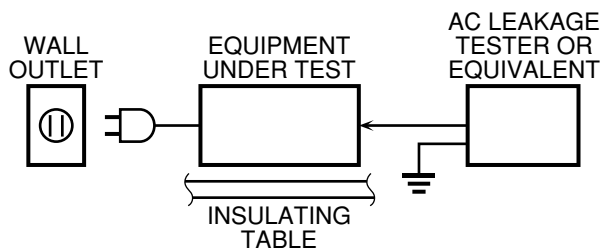


このサービスマニュアルは、エコマーク認定の再生紙を使用しています。
This Service Manual uses recycled paper.



■ TO SERVICE PERSONNEL

- Critical Components Information
 Components having special characteristics are marked ⚠ and must be replaced with parts having specifications equal to those originally installed.
 - Leakage Current Measurement (For 120V Models Only)
 When service has been completed, it is imperative to verify that all exposed conductive surfaces are properly insulated from supply circuits.
- Meter impedance should be equivalent to 1500 ohm shunted by 0.15μF.



- Leakage current must not exceed 0.5mA.
- Be sure to test for leakage with the AC plug in both polarities.



“CAUTION”

“F922: FOR CONTINUED PROTECTION AGAINST RISK OF FIRE, REPLACE ONLY WITH SAME TYPE 7A, 125V FUSE.”

CAUTION

F922: REPLACE WITH SAME TYPE 7A, 125V FUSE.

ATTENTION

F922: UTILISER UN FUSIBLE DE RECHANGE DE MEME TYPE DE 7A, 125V.

WARNING: CHEMICAL CONTENT NOTICE!

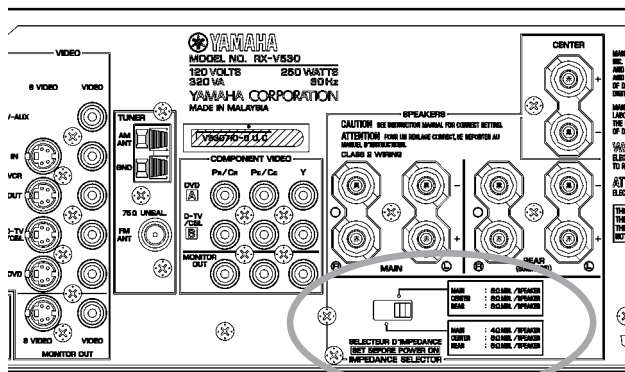
The solder used in the production of this product contains LEAD. In addition, other electrical/electronic and/or plastic (where applicable) components may also contain traces of chemicals found by the California Health and Welfare Agency (and possibly other entities) to cause cancer and/or birth defects or other reproductive harm.

DO NOT PLACE SOLDER, ELECTRICAL/ELECTRONIC OR PLASTIC COMPONENTS IN YOUR MOUTH FOR ANY REASON WHATSOEVER!

Avoid prolonged, unprotected contact between solder and your skin! When soldering, do not inhale solder fumes or expose eyes to solder/flux vapor!

If you come in contact with solder or components located inside the enclosure of this product, wash your hands before handling food.

■ IMPEDANCE SELECTOR

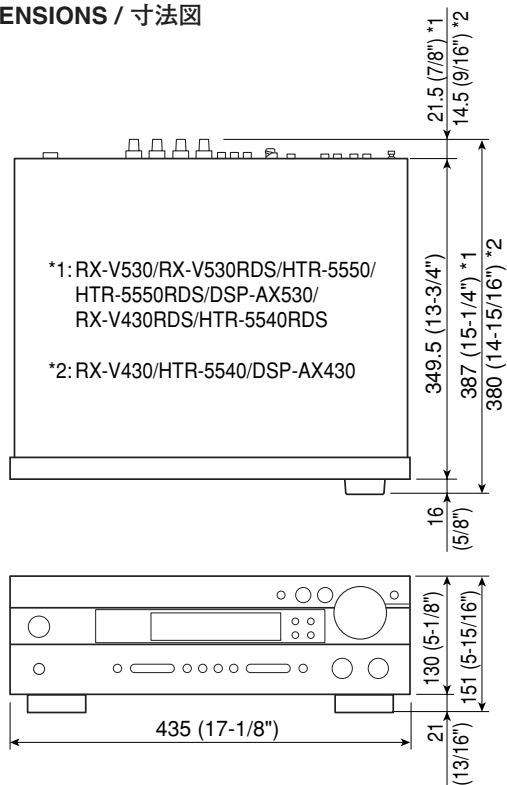


IMPEDANCE SELECTOR

WARNING:

Do not change the IMPEDANCE SELECTOR switch setting while the power to this unit is on, otherwise this unit may be damaged.

• DIMENSIONS / 寸法図



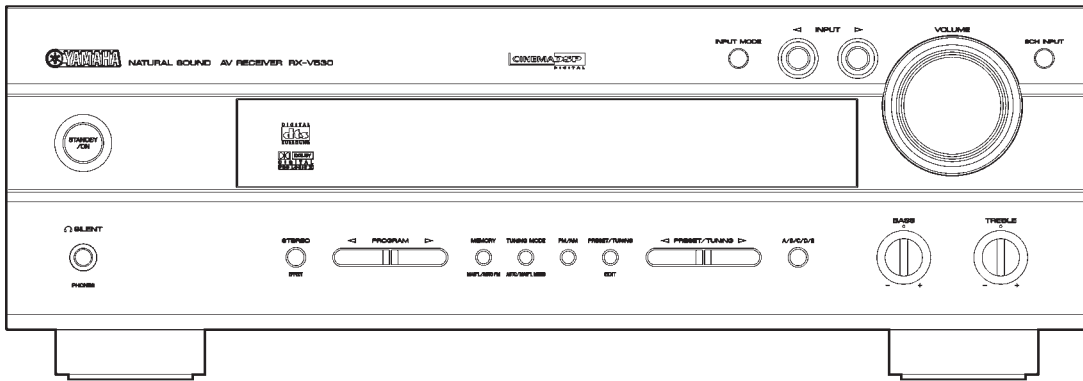
*1: RX-V530/RX-V530RDS/HTR-5550/
 HTR-5550RDS/DSP-AX530/
 RX-V430RDS/HTR-5540RDS

*2: RX-V430/HTR-5540/DSP-AX430

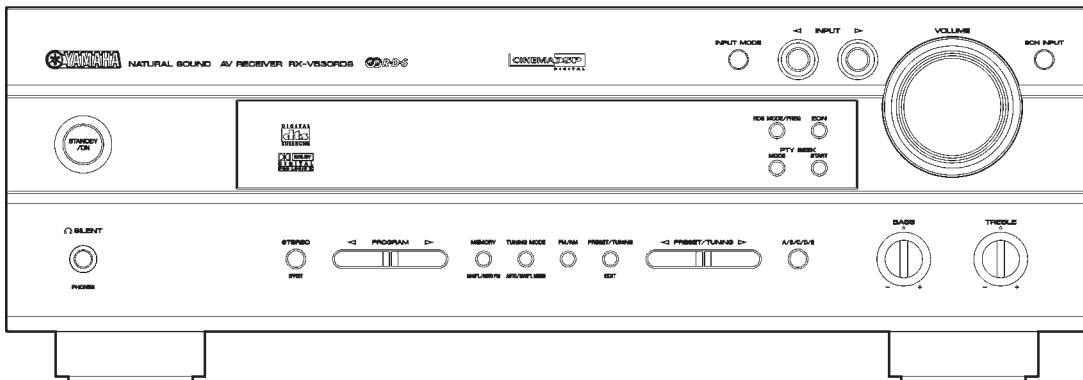
Unit : mm (inch)
 単位: mm (インチ)

FRONT PANELS

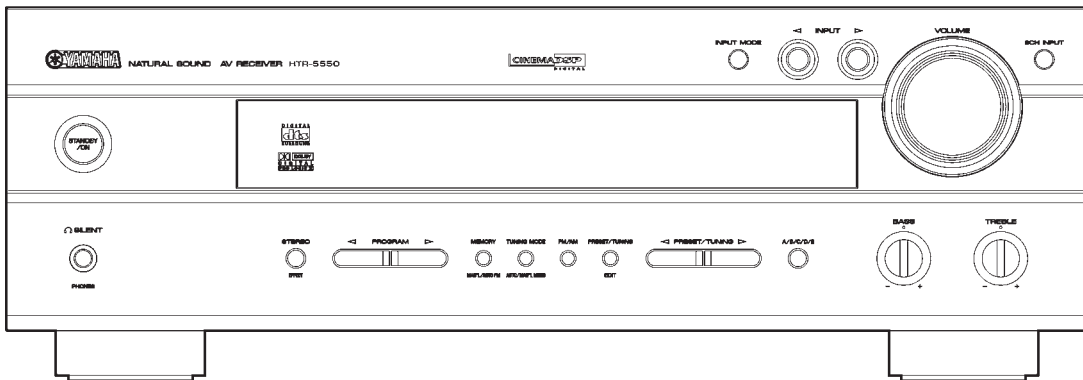
RX-V530 (U, C, A, L, R, T, K models)



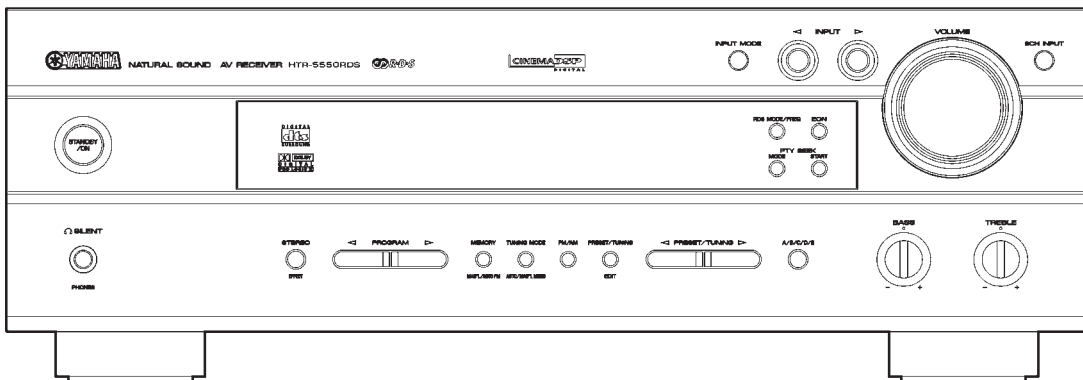
RX-V530RDS (B, G models)



HTR-5550 (U, C, A, T, K models)

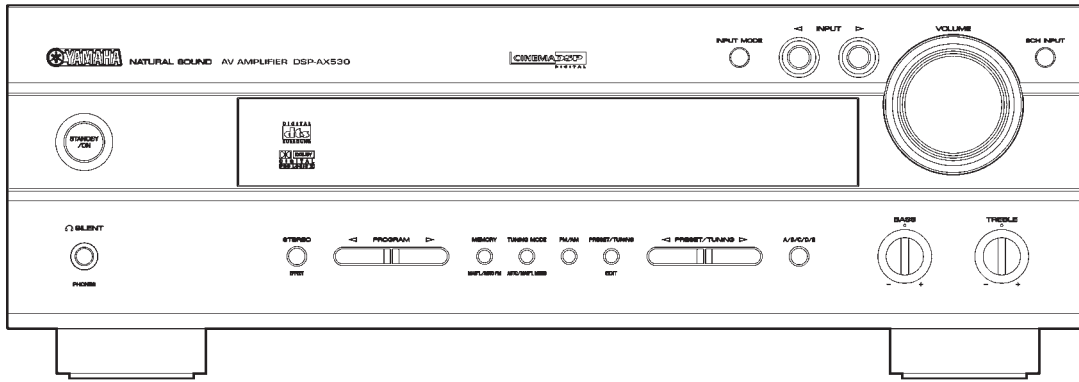


HTR-5550RDS (B, G models)

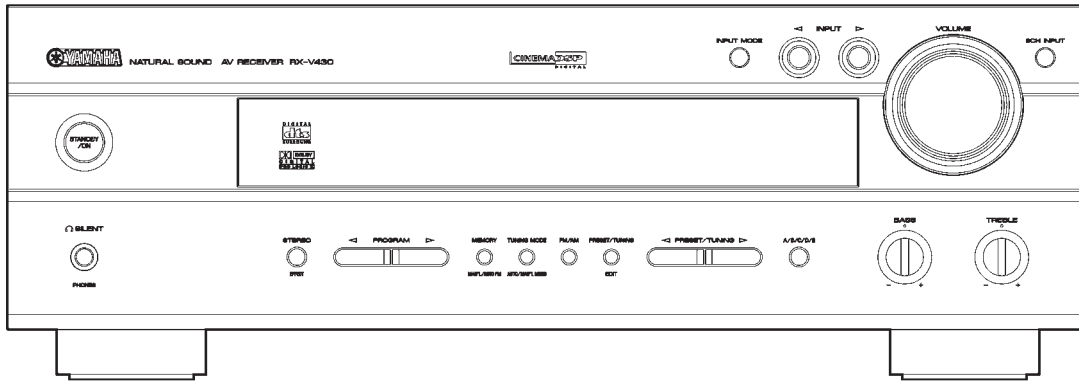


RX-V530/RX-V530RDS/HTR-5550/HTR-5550RDS/DSP-AX530
 RX-V430/RX-V430RDS/HTR-5540/HTR-5540RDS/DSP-AX430

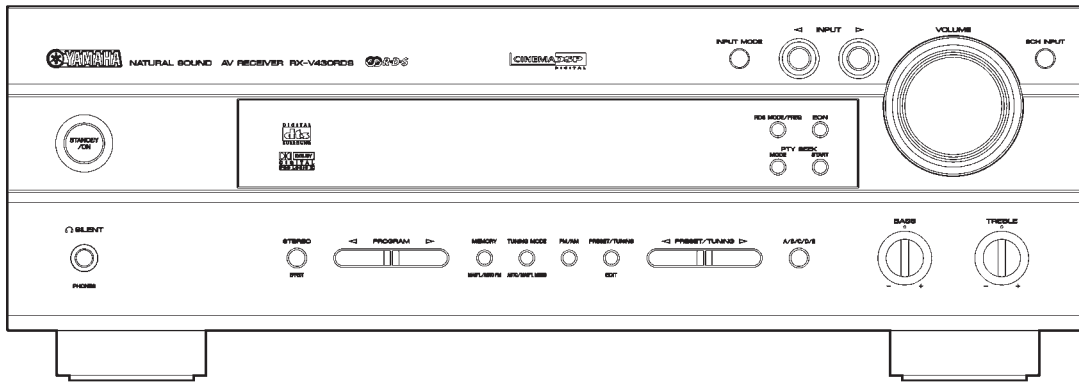
DSP-AX530 (J model)



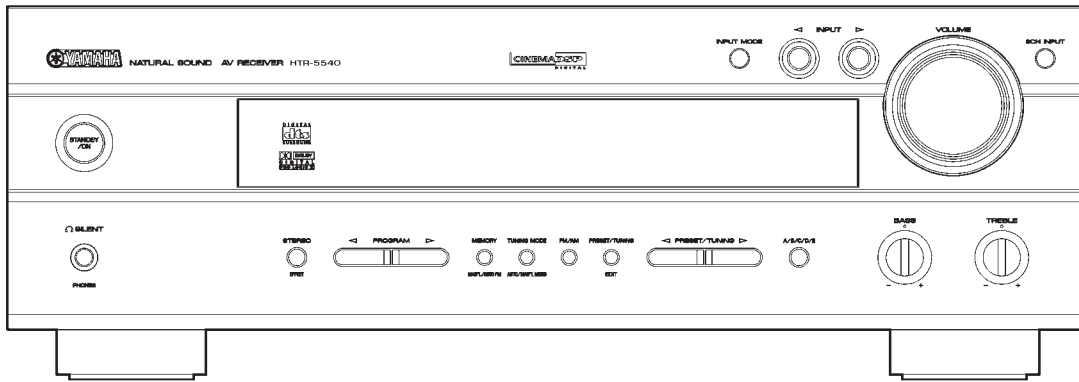
RX-V430 (U, C, A, L, R, T, K models)



RX-V430RDS (B, G models)

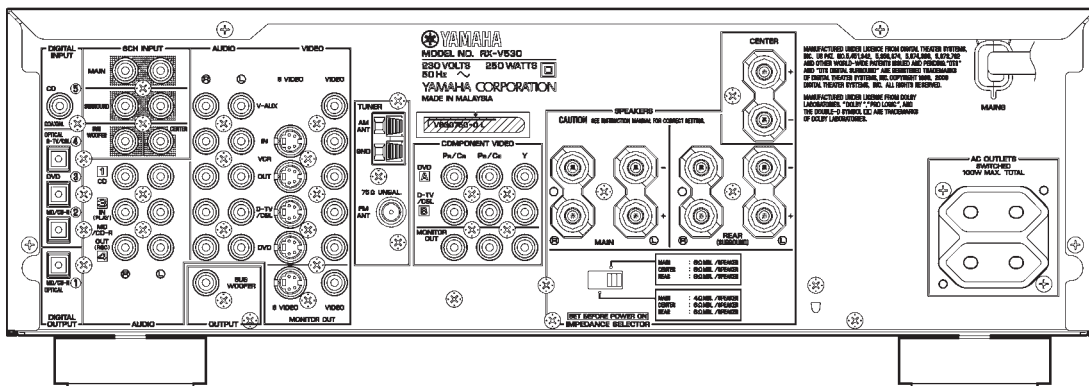


HTR-5540 (U, C, A, T, K models)



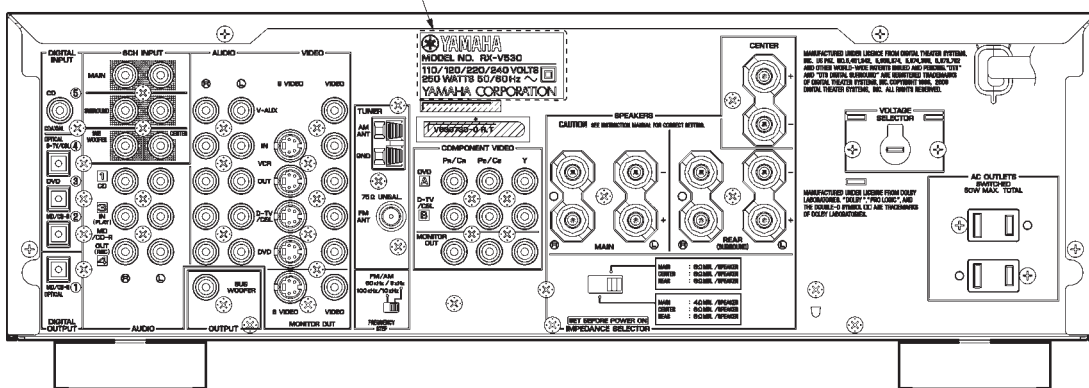
RX-V530/RX-V530RDS/HTR-5550/HTR-5550RDS/DSP-AX530
 RX-V430/RX-V430RDS/HTR-5540/HTR-5540RDS/DSP-AX430

RX-V530 (L model)

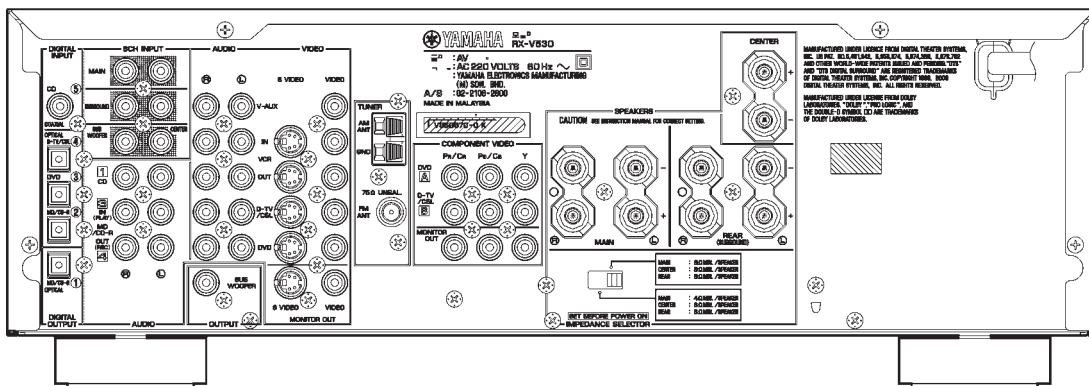


RX-V530 (R, T models)

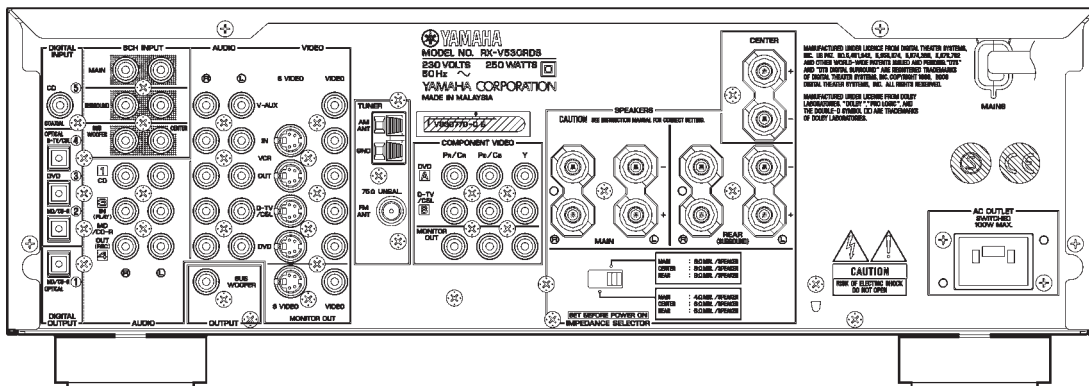
R model



RX-V530 (K model)

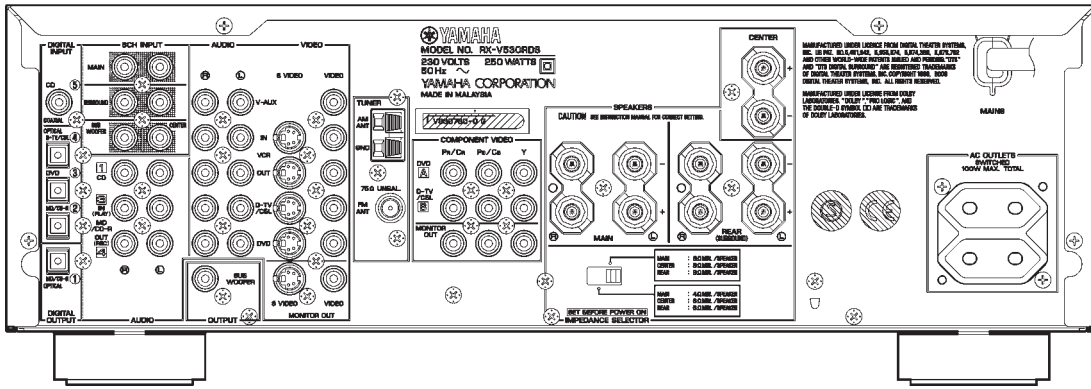


RX-V530RDS (B model)

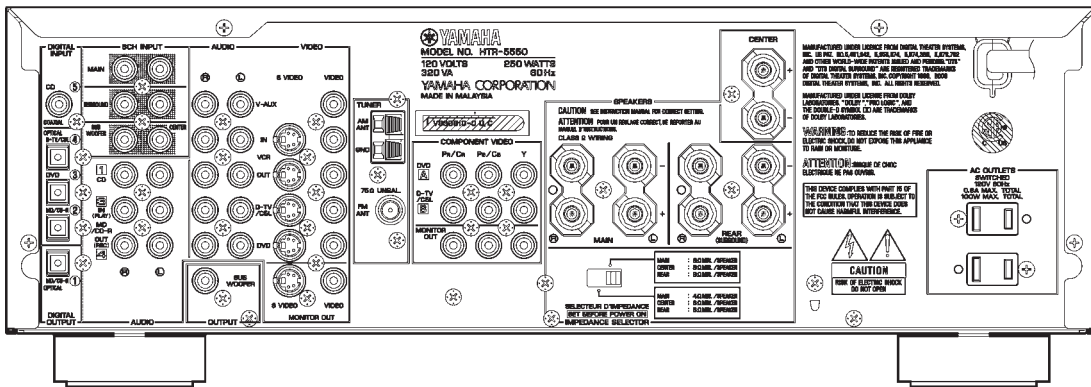


RX-V530/RX-V530RDS/HTR-5550/HTR-5550RDS/DSP-AX530
 RX-V430/RX-V430RDS/HTR-5540/HTR-5540RDS/DSP-AX430

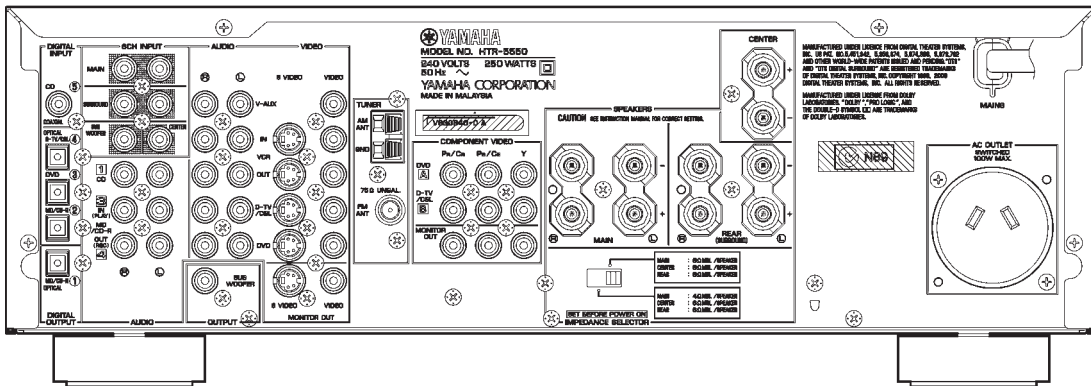
RX-V530RDS (G model)



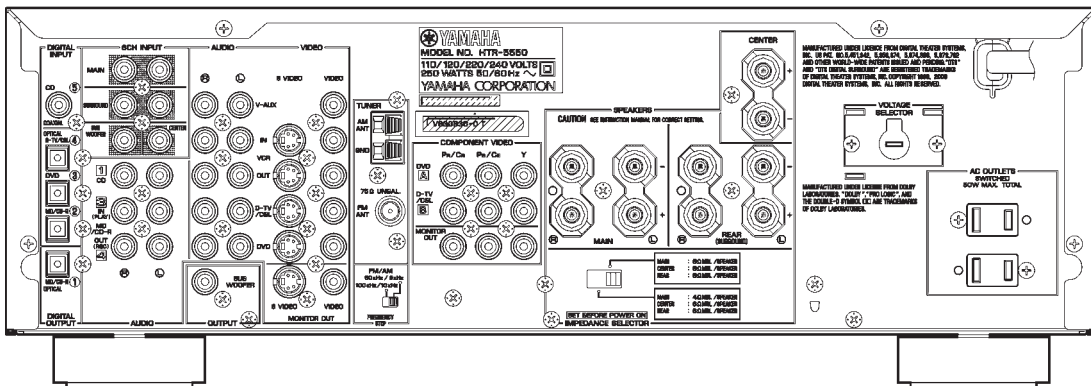
HTR-5550 (U, C models)



HTR-5550 (A model)

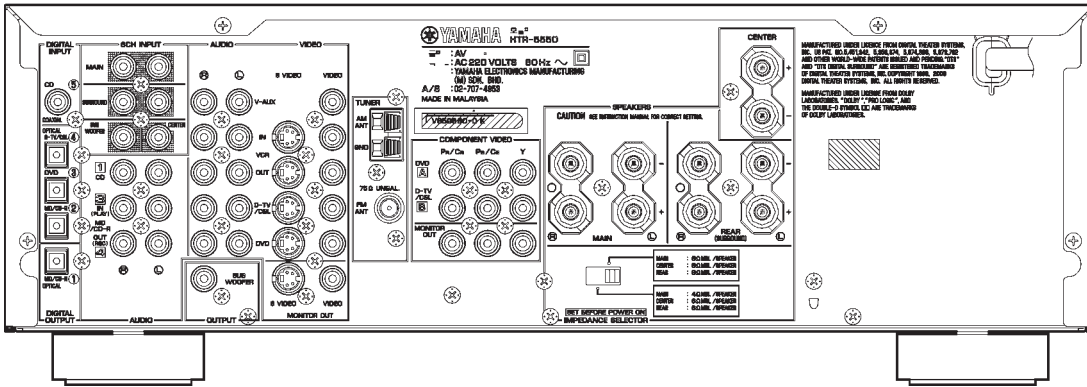


HTR-5550 (T model)

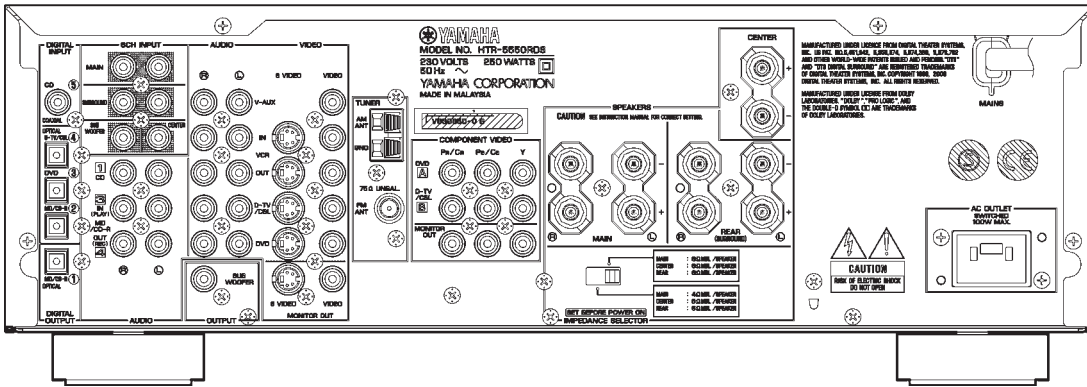


RX-V530/RX-V530RDS/HTR-5550/HTR-5550RDS/DSP-AX530
 RX-V430/RX-V430RDS/HTR-5540/HTR-5540RDS/DSP-AX430

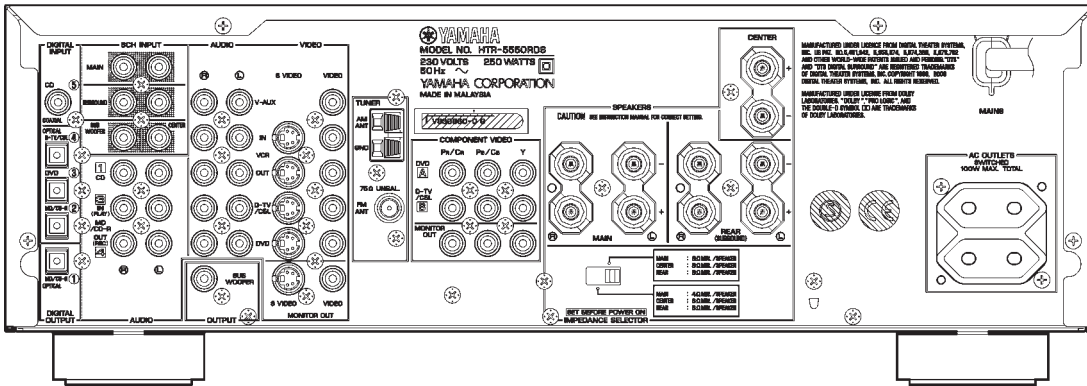
HTR-5550 (K model)



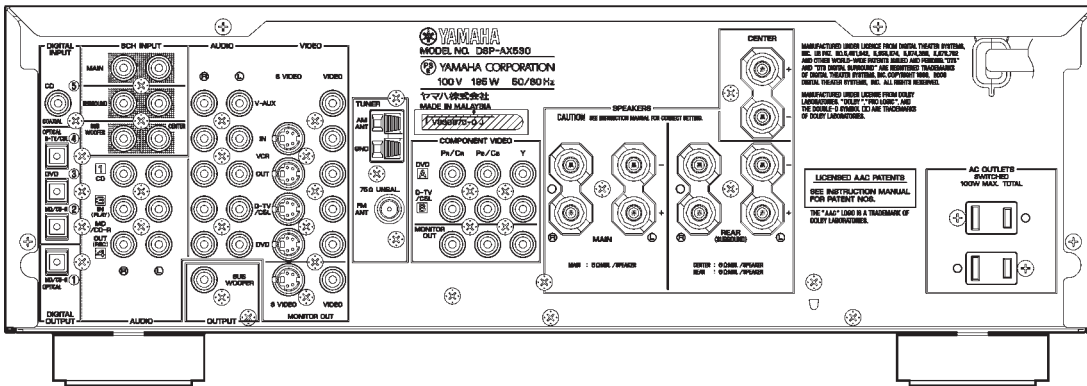
HTR-5550RDS (B model)



HTR-5550RDS (G model)

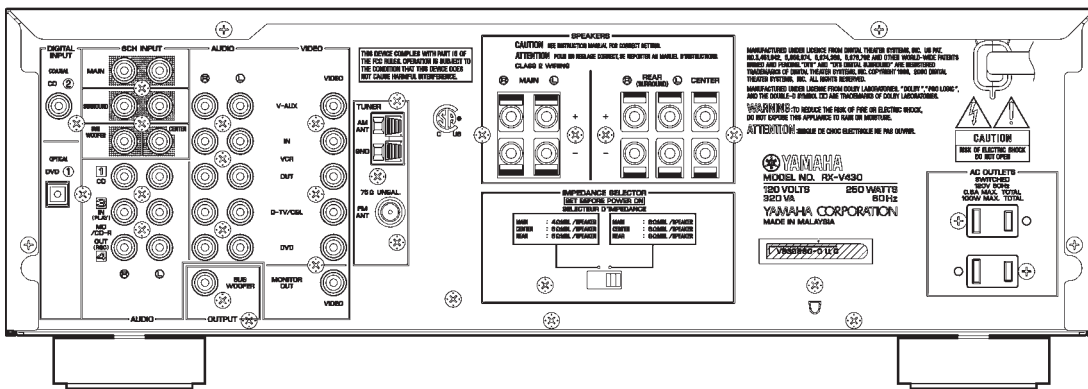


DSP-AX530 (J model)

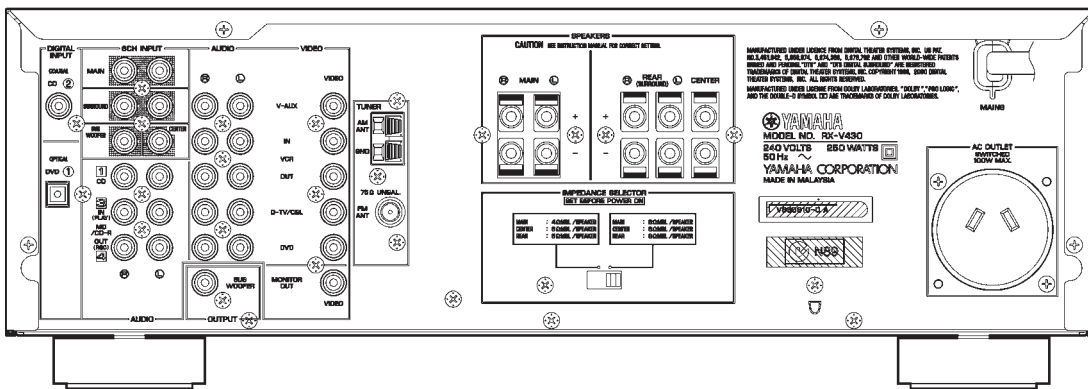


RX-V530/RX-V530RDS/HTR-5550/HTR-5550RDS/DSP-AX530
 RX-V430/RX-V430RDS/HTR-5540/HTR-5540RDS/DSP-AX430

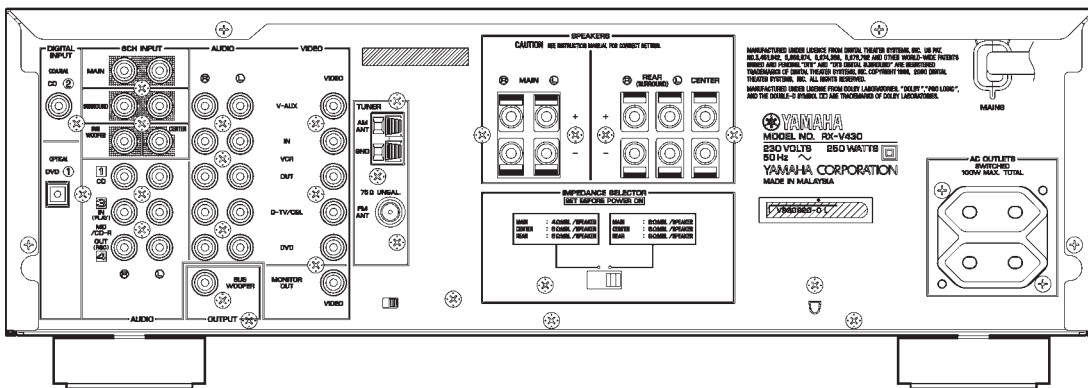
RX-V430 (U, C models)



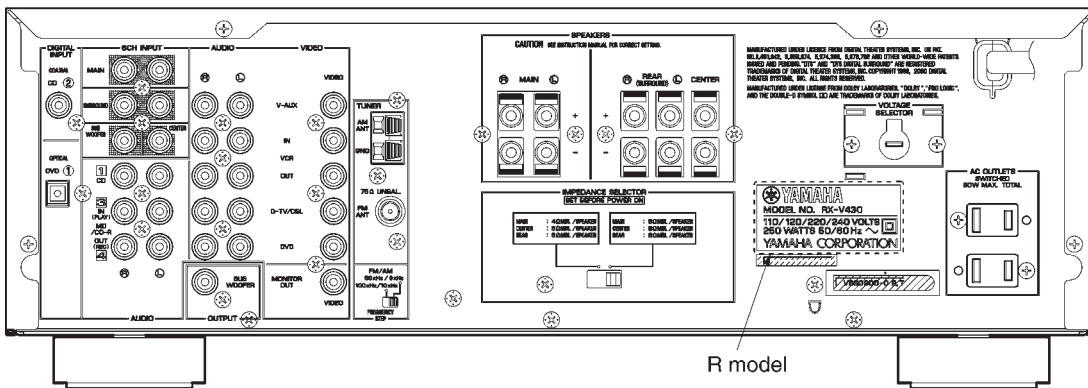
RX-V430 (A model)



RX-V430 (L model)

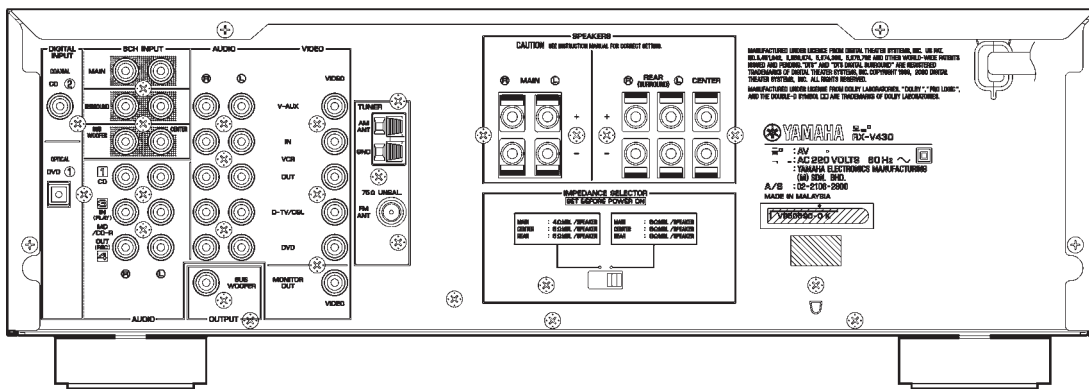


RX-V430 (R, T models)

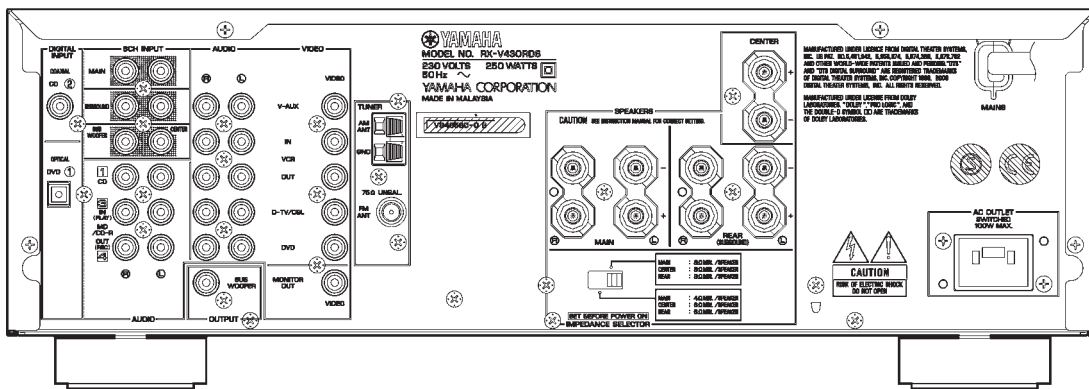


RX-V530/RX-V530RDS/HTR-5550/HTR-5550RDS/DSP-AX530
 RX-V430/RX-V430RDS/HTR-5540/HTR-5540RDS/DSP-AX430

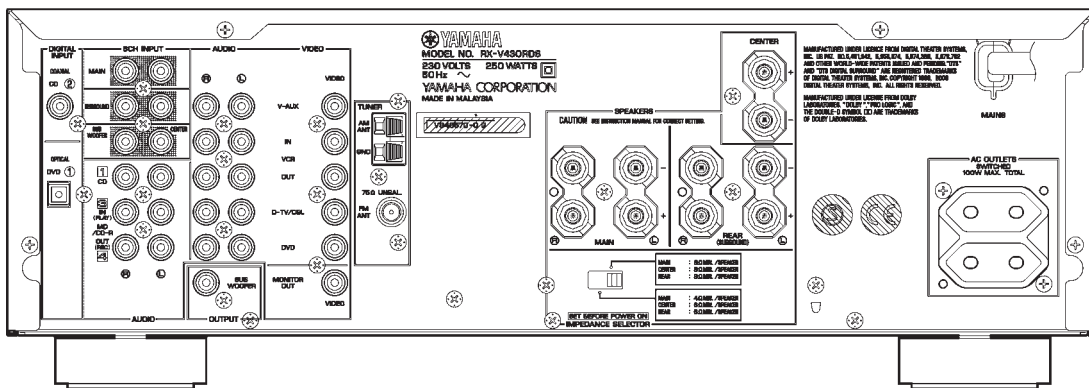
RX-V430 (K model)



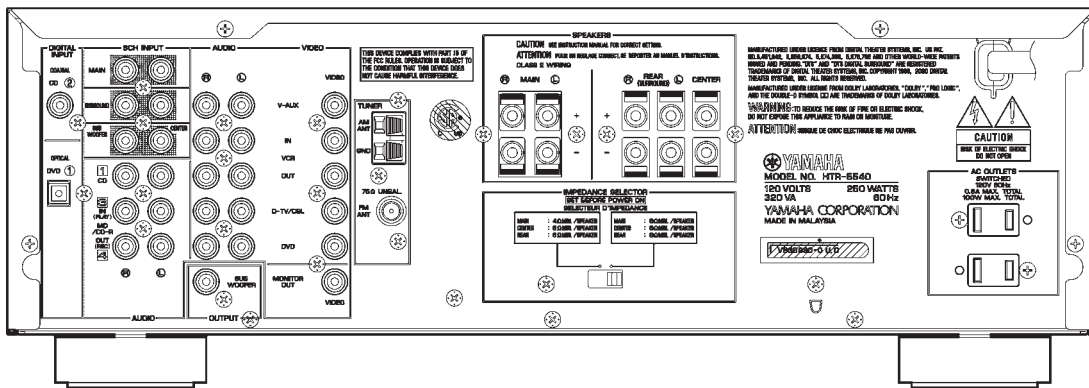
RX-V430RDS (B model)



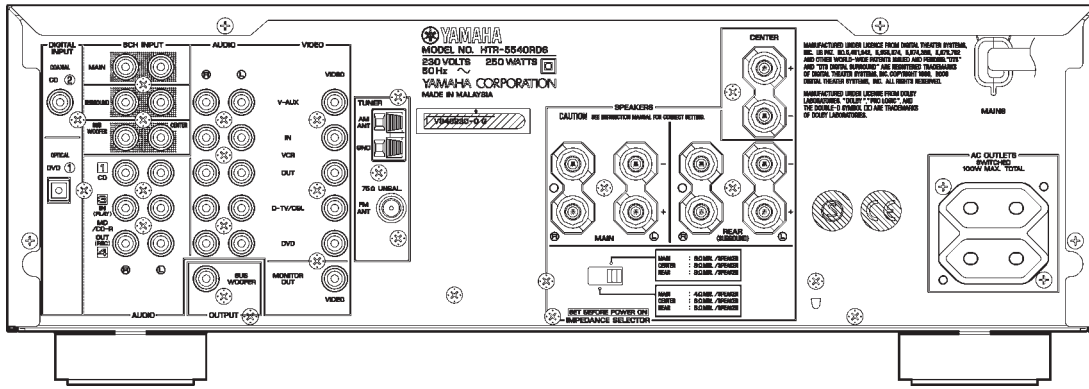
RX-V430RDS (G model)



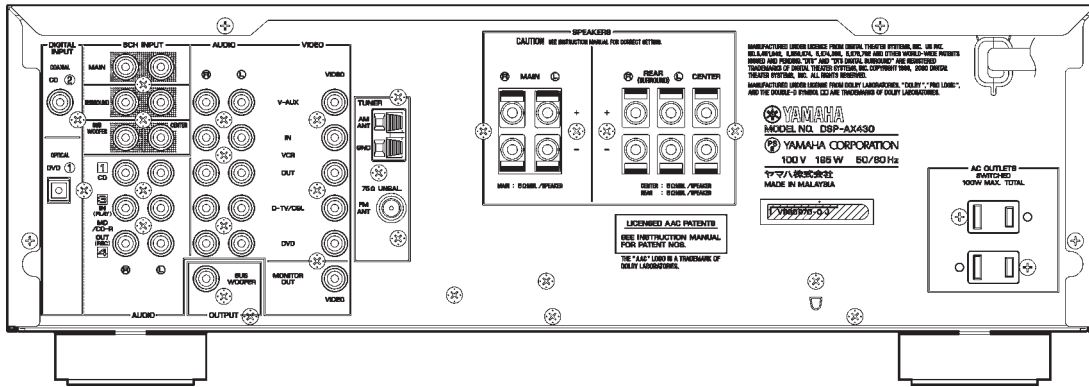
HTR-5540 (U, C models)



HTR-5540RDS (G model)



DSP-AX430 (J model)



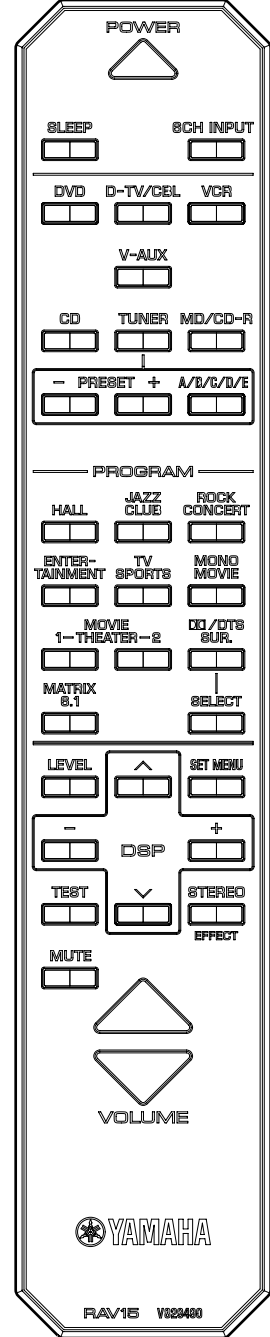
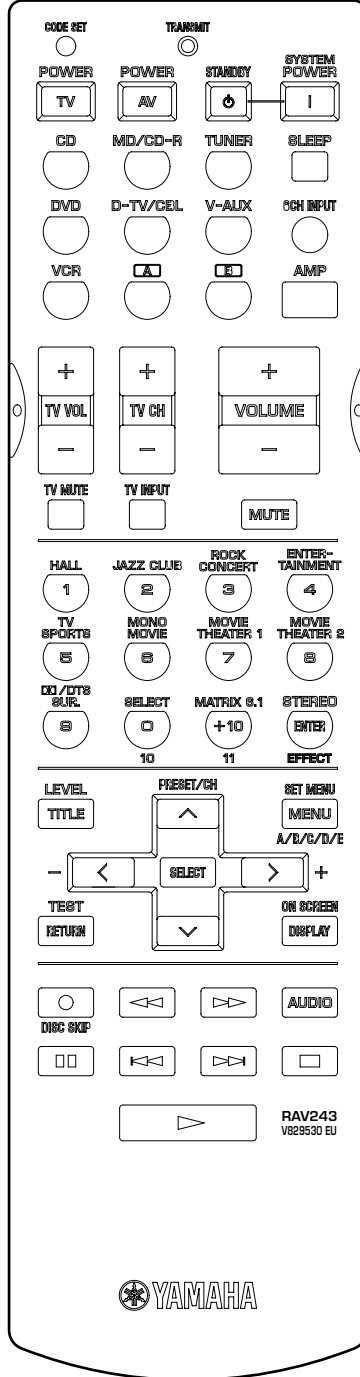
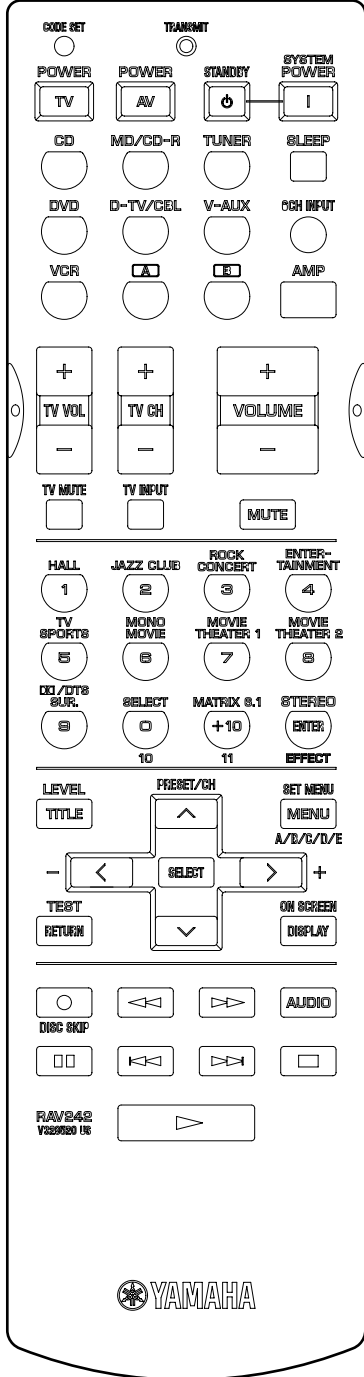
RX-V530/RX-V530RDS/HTR-5550/HTR-5550RDS/DSP-AX530
 RX-V430/RX-V430RDS/HTR-5540/HTR-5540RDS/DSP-AX430

■ REMOTE CONTROL

RX-V530 (U, C, A, L, R, T, K models)
 HTR-5550 (U, C, A, T, K models)
 DSP-AX530 (J model)
 RX-V430 (U, C, A, L, R, T, K models)
 DSP-AX430 (J model)

RX-V530RDS (B, G models)
 HTR-5550RDS (B, G models)

RX-V430RDS (B, G models)
 HTR-5540 (U, C, A, T, K models)
 HTR-5540RDS (B, G models)



RX-V530/RX-V530RDS/HTR-5550/HTR-5550RDS/DSP-AX530
 RX-V430/RX-V430RDS/HTR-5540/HTR-5540RDS/DSP-AX430

SPECIFICATIONS

Audio Section / オーディオ部

Minimum RMS Output Power (Power Amp. Section) / 定格出力 (パワーアンプ部)

(20 Hz to 20 kHz, 0.06% THD)

| | |
|---|-----------|
| MAIN L/R | |
| U, C models (8 ohms) | 75W + 75W |
| A, B, G, L, R, T, K models (8 ohms) | 65W + 65W |
| J model (6 ohms) | 75W + 75W |
| CENTER | |
| U, C models (8 ohms) | 75W |
| A, B, G, L, R, T, K models (8 ohms) | 65W |
| J model (6 ohms) | 75W |
| REAR L/R | |
| U, C models (8 ohms) | 75W + 75W |
| A, B, G, L, R, T, K models (8 ohms) | 65W + 65W |
| J model (6 ohms) | 75W + 75W |

(1 kHz, 0.06% THD)

| | |
|---|-----------|
| MAIN L/R | |
| U, C models (8 ohms) | 80W + 80W |
| A, B, G, L, R, T, K models (8 ohms) | 70W + 70W |
| CENTER | |
| U, C models (8 ohms) | 80W |
| A, B, G, L, R, T, K models (8 ohms) | 70W |
| REAR L/R | |
| U, C models (8 ohms) | 80W + 80W |
| A, B, G, L, R, T, K models (8 ohms) | 70W + 70W |

Maximum Power / 実用最大出力 (EIAJ, 1kHz, 10% THD)

| | |
|-------------------------------|-------------|
| MAIN L/R | |
| R, T, K models (8 ohms) | 95W + 95W |
| J model (6 ohms) | 100W + 100W |
| CENTER | |
| R, T, K models (8 ohms) | 95W |
| J model (6 ohms) | 100W |
| REAR L/R | |
| R, T, K models (8 ohms) | 95W + 95W |
| J model (6 ohms) | 100W + 100W |

Dynamic Power Per Channel / ダイナミックパワー (IHF)

| | |
|---|-----------------|
| U, C models (8/6/4/2 ohms) | 95/115/140/160W |
| A, B, G, L, R, T, K models (8/6/4/2 ohms) | 90/110/130/150W |
| J model (6/4/2 ohms) | 105/125/145W |

DIN Standard Output Power Per Channel / DINパワー [G model]

(1 kHz, 0.7% THD, 4 ohms)

| | |
|----------|-------------|
| MAIN L/R | |
| | 110W + 110W |
| CENTER | |
| | 110W |
| REAR L/R | |
| | 110W + 110W |

Dynamic Headroom / ダイナミックヘッドルーム

| | |
|----------------------------|--------|
| U, C models (8 ohms) | 1.09dB |
|----------------------------|--------|

IEC Power / IECパワー [G, L models]

| | |
|--------------------------------|-----------|
| 1 kHz, 0.06% THD, 8 ohms | 70W + 70W |
|--------------------------------|-----------|

Damping Factor / ダンピングファクタ

| | |
|--|------------|
| 20 Hz to 20 kHz, SPEAKER-A, 8 ohms | 80 or more |
|--|------------|

Input Sensitivity / Input Impedance (入力感度/入力インピーダンス)

| | |
|--|--------------------|
| CD, etc. | 150 mV / 47 k-ohms |
| EXT. DECODER | |
| MAIN L/R, CENTER, SURROUND L/R, SUB WOOFER | |
| | 150 mV / 47 k-ohms |

Maximum Input Signal Level / 最大許容入力

| | |
|------------------------------|-------|
| (1 kHz, 0.5% THD, Effect On) | |
| CD, etc. | 2.0V |

Output Level / Output Impedance (出力電圧/出力インピーダンス)

| | |
|-----------------------------------|---------------------|
| REC OUT | 150 mV / 1.2 k-ohms |
| SUB WOOFER (MAIN SP: Small) | 4 V / 1.2 k-ohms |

Headphone Jack Rated Output / Impedance (ヘッドフォン出力/入力インピーダンス)

| | |
|--|-------------------|
| CD, etc. (1 kHz, 150 mV, 8 ohms) | 0.34 V / 560 ohms |
|--|-------------------|

Frequency Response / 周波数特性

| | |
|---|-----------|
| CD, etc. to MAIN L/R (10 Hz to 100 kHz) | +0/-3.0dB |
|---|-----------|

Total Harmonic Distortion / 全高調波歪率

| | |
|--|---------------|
| (20Hz to 20kHz, 40W, 8 ohms) | |
| CD, etc. (Effect Off) to MAIN L/R SP OUT | 0.06% or less |

Signal to Noise Ratio / 信号対雑音比 (IHF-A network)

| | |
|--|---------------|
| CD, etc. (Input shorted, EFFECT OFF) to MAIN L/R | |
| 250mV | 100dB or more |

Residual Noise / 残留ノイズ (IHF-A network)

| | |
|-----------------------|---------------|
| MAIN L/R SP OUT | 150μV or less |
|-----------------------|---------------|

Channel Separation / チャンネルセパレーション

| | |
|---|-----------------------------|
| (Vol -30 dB, Effect Off) | |
| CD, etc. (Input 5.1 k-ohms shorted, 1 kHz/10 kHz) ... | 60 dB or more/45 dB or more |

Tone Control Characteristics / トーンコントロール特性

| | |
|--------------------------|---------------|
| BASS | |
| Boost/Cut | ±10dB (50Hz) |
| Turnover Frequency | 350Hz |
| TREBLE | |
| Boost/Cut | ±10dB (20kHz) |
| Turnover Frequency | 3.5kHz |

Filter Characteristics / フィルター特性

| | |
|--|------------------|
| MAIN, REAR L/R SP Small (H.P.F.) | 90Hz / 12dB oct. |
| SUBWOOFER (L.P.F.) | 90Hz / 18dB oct. |

Video Section / ビデオ部

Video Signal Type / ビデオ信号方式

| | |
|-------------------------|-------------|
| U, C, J models | NTSC |
| A, B, G, L models | PAL |
| R, T, K models | NTSC or PAL |

Video Signal Level / ビデオ信号

| | |
|-------|------------------|
| | 1 Vp-p / 75 ohms |
|-------|------------------|

S-Video Signal Level / Sビデオ信号

| | |
|---|----------------------|
| [RX-V530/RX-V530RDS/HTR-5550/HTR-5550RDS/DSP-AX530] | |
| Y | 1 Vp-p / 75 ohms |
| C | 0.286 Vp-p / 75 ohms |

Component Signal Level / コンポーネントビデオ信号

| | |
|---|--------------------|
| [RX-V530/RX-V530RDS/HTR-5550/HTR-5550RDS/DSP-AX530] | |
| Y | 1 Vp-p / 75 ohms |
| Cb/Cr | 0.7 Vp-p / 75 ohms |

Maximum Input Level / 最大許容入力

| | |
|-------|----------|
| | 1.5 Vp-p |
|-------|----------|

Signal to Noise Ratio / 信号対雑音比

| | |
|-------|---------------|
| | 50 dB or more |
|-------|---------------|

Monitor Out Frequency Response / モニターアウト周波数帯域

| | |
|---|-----------------------|
| [RX-V530/RX-V530RDS/HTR-5550/HTR-5550RDS/DSP-AX530] | |
| Video Signal Level, S-Video Signal Level ... | 5 Hz to 10 MHz, -3 dB |
| Component Video Signal Level | DC to 30 MHz, -3 dB |

[RX-V430/RX-V430RDS/HTR-5540/HTR-5540RDS/DSP-AX430]

| | |
|--------------------------|-----------------------|
| Video Signal Level | 5 Hz to 10 MHz, -3 dB |
|--------------------------|-----------------------|

FM Section / FM部

Tuning Range

| | |
|----------------------------|-----------------------------------|
| U, C models | 87.5 to 107.9 MHz |
| A, B, G, L, K models | 87.5 to 108.0 MHz |
| R, T models | 87.5 to 108.0 / 87.5 to 108.0 MHz |
| J model | 76.0 to 90.0 MHz |

50dB Quieting Sensitivity / 50dB SN感度 (IHF)

| | |
|-------------------|-------------------|
| (1kHz, 100% Mod.) | |
| Mono | 2.0 μV (17.3 dBf) |
| Stereo | 25 μV (39.2 dBf) |

Usable Sensitivity / 実用感度 (IHF)

| | |
|------------|-------------------|
| Mono | 1.0 μV (11.2 dBf) |
|------------|-------------------|

Selectivity / 選択度

| | |
|------------------|-------|
| at 400 kHz | 70 dB |
|------------------|-------|

Signal to Noise Ratio / 信号対雑音比 (IHF)

| | |
|---------------------|---------------|
| Mono / Stereo | 76 dB / 70 dB |
|---------------------|---------------|

Harmonic Distortion / 歪率

| | |
|-------------------|-------------|
| (1 kHz) | |
| Mono/Stereo | 0.2 / 0.3 % |

Stereo Separation / ステレオセパレーション

| | |
|-------------|-------|
| 1 kHz | 45 dB |
|-------------|-------|

Frequency Response / 周波数特性

| | |
|-----------------------|--------------|
| 20 Hz to 15 kHz | +0.5 / -2 dB |
|-----------------------|--------------|

Antenna Input / アンテナ入力

| | |
|-------|--------------------|
| | 75 ohms unbalanced |
|-------|--------------------|

AM Section / AM部

Tuning Range / 受信周波数範囲

| | |
|-------------------------------|---------------------------------|
| U, C models | 530 to 1,710 kHz |
| A, B, G, L, K, J models | 531 to 1,611 kHz |
| R, T models | 530 to 1,710 / 531 to 1,611 kHz |

Usable Sensitivity / 実用感度

| | |
|-------|----------|
| | 300 μV/m |
|-------|----------|

Antenna / アンテナ入力

| | |
|-------|--------------|
| | Loop Antenna |
|-------|--------------|

General / 総合

Power Supply / 電源電圧

| | |
|----------------------|--------------------------------|
| U, C models | AC 120 V, 60 Hz |
| A model | AC 240 V, 50 Hz |
| B, G, L models | AC 230 V, 50 Hz |
| R model | AC 110/120/220/240 V, 50/60 Hz |
| T model | AC 220 V, 50 Hz |
| K model | AC 220 V, 60 Hz |
| J model | AC 100V, 50/60 Hz |

Power Consumption / 消費電力

| | |
|----------------------------------|----------------|
| U, C models | 210 W / 260 VA |
| A, B, G, L, R, T, K models | 230 W |
| J model | 180 W |

Standby Power Consumption (reference data) / 待機電力(参考値)

| | |
|-------------------------|-------|
| U, C, J models | 0.6 W |
| A model | 0.9 W |
| B, G, L, K models | 0.7 W |

Maximum Power Consumption [R model]

| | |
|----------------------|-------|
| (5ch Drive, 10% THD) | |
| R model | 500 W |

AC Outlets / ACアウトレット

| | |
|----------------------------|------------------|
| 2 switched outlets | |
| U, C, G, L, J models | 100 W max. total |
| R, T models | 50 W max. total |
| 1 switched outlet | |
| A, B models | 100W max. |

Dimensions / 寸法 (W x H x D)

RX-V530/RX-V530RDS/HTR-5550/HTR-5550RDS/DSP-AX530/
RX-V430RDS/HTR-5540RDS
..... 435 x 151 x 387 mm (17-1/8" x 5-15/16" x 15-1/4")
RX-V430/HTR-5540/DSP-AX430
..... 435 x 151 x 380 mm (17-1/8" x 5-15/16" x 14-15/16")

Weight / 重量

..... 10.0 kg (22 lbs. 1 oz.)

Finish / 仕上げ

RX-V530/RX-V430 Gold color (L, R, T, K) models
Black color (U, C, A, R) models
RX-V530RDS/RX-V430RDS ... Gold color (G) model
Black color (B, G) models
Titan color (B, G) models
HTR-5550/HTR-5540 Gold color (T, K) models
Black color (U, C, A) models
Titan color (U, C) models
HTR-5550RDS/HTR-5540RDS .. Black color (G) model
Titan color (B, G) models
DSP-AX530/DSP-AX430 Gold color (J) model


Accessories / 付属品

Remote Control, Batteries (Manganese Dry), Indoor FM Antenna,
AM Loop Antenna, PAL 75/300 Socket [B model], Video Pin Cable
[U, C, A models]

U U.S.A. model C Canadian model
A Australian model B British model
G European model L Singapore model
R General model T Chinese model
K Korean model J Japanese model



Manufactured under license from Dolby Laboratories.
“Dolby”, “Pro Logic” and the double-D symbol are trademarks of
Dolby Laboratories.

ドルビーラボラトリーズからの実施権に基づき製造されていま
す。ドルビー、DOLBY、ドルビーデジタル、PRO LOGICおよび
ダブルD記号は、ドルビーラボラトリーズの商標です。



“DTS” and “DTS Digital Surround” are registered trademarks of
Digital Theater Systems, Inc.

DTS、DTS Digitalサラウンドはデジタルシアターシステムズの登
録商標です。

* Specifications are subject to change without notice due to product
improvements.

※ 参考仕様および外観は予告なく変更されることがあります。

• Set Menu Table / セットメニュー

| No. | MAIN MENU | SUB MENU: PRESET VALUE | | SETTING RANGES |
|-----|-----------------|---|--|---|
| | | RX-V530/RX-V530RDS/HTR-5550/ HTR-5550RDS/DSP-AX530 | RX-V430/RX-V430RDS/HTR-5540/ HTR-5540RDS/DSP-AX430 | |
| 1. | SPEAKER SET | 1A. CENTER SP: LARGE 1B. MAIN SP: LARGE 1C. REAR L/R SP: LARGE 1D. LFE/BASS OUT: BOTH 1E. MAIN LEVEL: NORMAL | 1A. CENTER SP: LARGE 1B. MAIN SP: LARGE 1C. REAR L/R SP: LARGE 1D. LFE/BASS OUT: BOTH 1E. MAIN LEVEL: NORMAL | LARGE, SMALL, NONE LARGE, SMALL LARGE, SMALL, NONE SW, MAIN, BOTH NORMAL, -10dB |
| 2. | LFE LEVEL | SP LFE LEVEL: 0dB HP LFE LEVEL: 0dB | SP LFE LEVEL: 0dB HP LFE LEVEL: 0dB | -20dB — 0dB (1dB step) -20dB — 0dB (1dB step) |
| 3. | SP DELAY TIME | CENTER DELAY: 0ms | CENTER DELAY: 0ms | 0ms — 5ms (1ms step) |
| 4. | DYNAMIC RANGE | SP DYNAMIC RANGE: MAX HP DYNAMIC RANGE: MAX | SP DYNAMIC RANGE: MAX HP DYNAMIC RANGE: MAX | MAX, STD, MIN MAX, STD, MIN |
| 5. | L/R BALANCE | CENTER | CENTER | L, ..., CENTER, ..., R (40 steps) |
| 6. | HP TONE CONTROL | HP BASS: 0dB HP TREBLE: 0dB | HP BASS: 0dB HP TREBLE: 0dB | -6dB — +3dB (1dB step) -6dB — +3dB (1dB step) |
| 7. | I/O ASSIGNING | 7A [A]. CV INPUT 1: DVD 7A [B]. CV INPUT 2: D-TV/CBL 7B (1). OPTICAL OUT 1: MD/CD-R 7C (2). OPTICAL IN 1: MD/CD-R 7C (3). OPTICAL IN 2: DVD 7C (4). OPTICAL IN 3: D-TV/CBL 7D (5). COAXIAL IN 1: CD | - - - - 7C (1). OPTICAL IN 1: DVD - 7C (2). COAXIAL IN 1: CD | DVD D-TV/CBL MD/CD-R MD/CD-R DVD D-TV/CBL CD |
| 8. | INPUT MODE | AUTO | AUTO | AUTO/LAST |
| 9. | DISPLAY SET | DIMMER: 0 | DIMMER: 0 | -4 — 0 (1 step) |
| 10. | MEMORY GUARD | OFF | OFF | OFF/ON |
| 11. | DUAL MONO | MAIN | MAIN | MAIN, SUB, ALL |

RX-V530/RX-V530RDS/HTR-5550/HTR-5550RDS/DSP-AX530
RX-V430/RX-V430RDS/HTR-5540/HTR-5540RDS/DSP-AX430

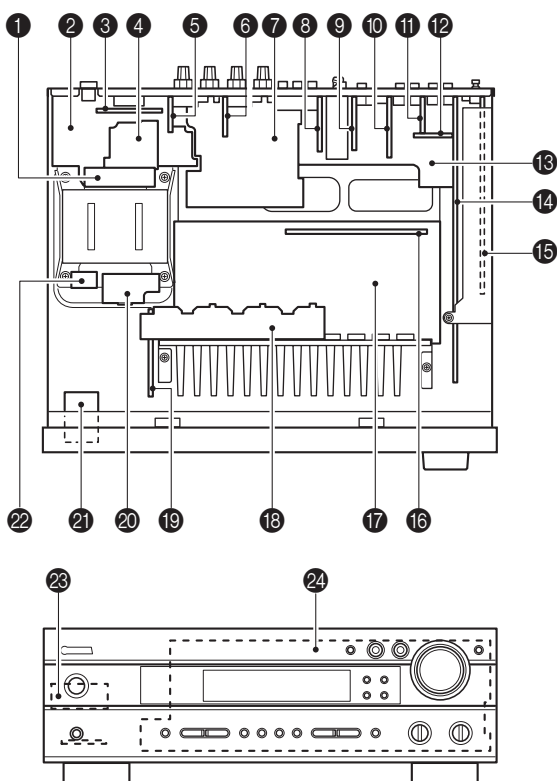
• The variable range of the parameter (Min/Max/Step) / パラメーターの可変範囲 (最小/最大/ステップ)

| Parameter name | Pro Logic | Pro Logic II Movie | Pro Logic II Music | 2ch | DD/dts/AAC | 6.1/ES | Unit |
|----------------|-----------|-----------------------|-----------------------|--------|------------|--------|------|
| (P.) INIT. DLY | - | - | - | 1/99/1 | 1/99/1 | 1/99/1 | ms |
| S. DELAY | - | - | - | - | 0/15/1 | 0/15/1 | ms |
| S. INIT. DLY | 10/25/1 | 10/25/1 | 0/15/1 | 0/49/1 | 0/49/1 | 0/49/1 | ms |
| Panorama | - | OFF | OFF/ON | - | - | - | - |
| Dimension | - | 0 (STD) | -3/+3/1 | - | - | - | - |
| C. Width | - | 0 | 0/7/1 | - | - | - | - |

| 5ch Stereo Parameter | | Unit |
|----------------------|---------|------|
| CT. LEVEL | 0/100/1 | % |
| RL. LEVEL | 0/100/1 | % |
| RR. LEVEL | 0/100/1 | % |

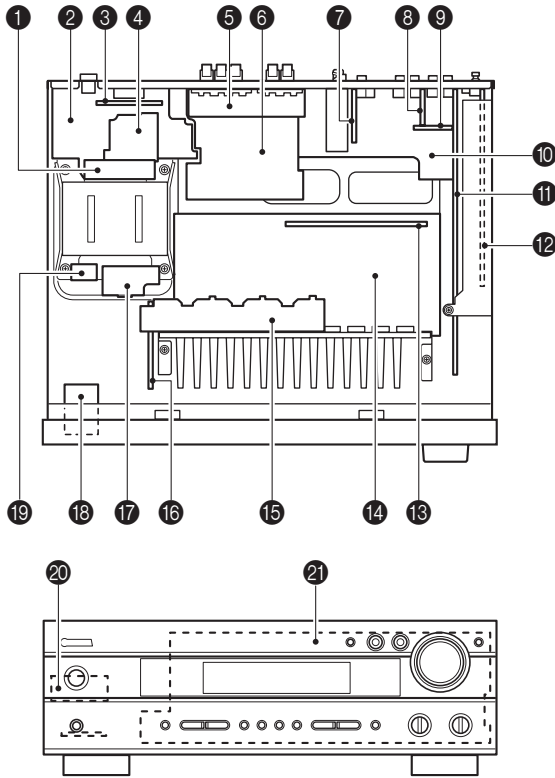
INTERNAL VIEW

RX-V530/RX-V530RDS/HTR-5550/HTR-5550RDS/DSP-AX530



- ① FUNCTION (9) P.C.B.
- ② FUNCTION (7) P.C.B.
- ③ FUNCTION (8) P.C.B. (R, T models only)
- ④ MAIN (6) P.C.B.
- ⑤ MAIN (8) P.C.B.
- ⑥ MAIN (7) P.C.B.
- ⑦ MAIN (2) P.C.B.
- ⑧ VIDEO (2) P.C.B.
- ⑨ FUNCTION (3) P.C.B.
- ⑩ VIDEO (1) P.C.B.
- ⑪ FUNCTION (2) P.C.B.
- ⑫ FUNCTION (10) P.C.B.
- ⑬ FUNCTION (4) P.C.B.
- ⑭ FUNCTION (1) P.C.B.
- ⑮ DSP P.C.B.
- ⑯ MAIN (3) P.C.B.
- ⑰ MAIN (1) P.C.B.
- ⑱ MAIN (4) P.C.B.
- ⑲ FUNCTION (5) P.C.B.
- ⑳ FUNCTION (6) P.C.B.
- ㉑ MAIN (5) P.C.B.
- ㉒ OPERATION (3) P.C.B.
- ㉓ OPERATION (2) P.C.B.
- ㉔ OPERATION (1) P.C.B.

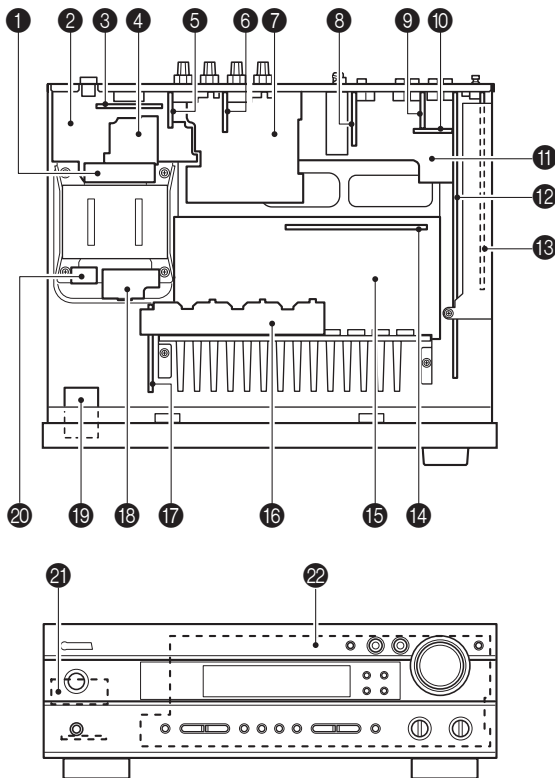
RX-V430/HTR-5540/DSP-AX430



- ① FUNCTION (9) P.C.B.
- ② FUNCTION (7) P.C.B.
- ③ FUNCTION (8) P.C.B. (R, T models only)
- ④ MAIN (6) P.C.B.
- ⑤ MAIN (10) P.C.B.
- ⑥ MAIN (2) P.C.B.
- ⑦ FUNCTION (3) P.C.B.
- ⑧ FUNCTION (2) P.C.B.
- ⑨ FUNCTION (10) P.C.B.
- ⑩ FUNCTION (4) P.C.B.
- ⑪ FUNCTION (1) P.C.B.
- ⑫ DSP P.C.B.
- ⑬ MAIN (3) P.C.B.
- ⑭ MAIN (1) P.C.B.
- ⑮ MAIN (4) P.C.B.
- ⑯ FUNCTION (5) P.C.B.
- ⑰ FUNCTION (6) P.C.B.
- ⑱ MAIN (5) P.C.B.
- ⑲ OPERATION (3) P.C.B.
- ⑳ OPERATION (2) P.C.B.
- ㉑ OPERATION (1) P.C.B.

RX-V530/RX-V530RDS/HTR-5550/HTR-5550RDS/DSP-AX530
 RX-V430/RX-V430RDS/HTR-5540/HTR-5540RDS/DSP-AX430

RX-V430RDS/HTR-5540RDS



- ① FUNCTION (9) P.C.B.
- ② FUNCTION (7) P.C.B.
- ③ FUNCTION (8) P.C.B.
- ④ MAIN (6) P.C.B.
- ⑤ MAIN (8) P.C.B.
- ⑥ MAIN (7) P.C.B.
- ⑦ MAIN (2) P.C.B.
- ⑧ FUNCTION (3) P.C.B.
- ⑨ FUNCTION (2) P.C.B.
- ⑩ FUNCTION (10) P.C.B.
- ⑪ FUNCTION (4) P.C.B.
- ⑫ FUNCTION (1) P.C.B.
- ⑬ DSP P.C.B.
- ⑭ MAIN (3) P.C.B.
- ⑮ MAIN (1) P.C.B.
- ⑯ MAIN (4) P.C.B.
- ⑰ FUNCTION (5) P.C.B.
- ⑱ FUNCTION (6) P.C.B.
- ⑲ MAIN (5) P.C.B.
- ⑳ OPERATION (3) P.C.B.
- ㉑ OPERATION (2) P.C.B.
- ㉒ OPERATION (1) P.C.B.

■ DISASSEMBLY PROCEDURE / 分解手順

(Remove parts in the order as numbered.)
 Disconnect the power cord from the AC outlet.

(番号順に部品を取り外してください。)
 AC電源コンセントから、電源コードを抜いてください。

1. Removal of Top Cover

- a. Remove 4 screws (①) and 4 screws (②). (Fig. 1)
- b. Slide the Top Cover rearward to remove it. (Fig. 1)

1. トップカバーの外し方

- a. ①のネジ4本、②のネジ4本を外します。(Fig. 1)
- b. トップカバーを後方へスライドさせ、取り外します。(Fig. 1)

2. Removal of Front Panel Unit

- a. Remove 5 screws (③) and then remove the Front Panel Unit. (Fig. 1)
- b. Remove 309~311. (Fig. 1)
- c. Loosen the harness fixture fixing the cable.

2. フロントパネルユニットの外し方

- a. ③のネジ5本を外し、フロントパネルユニットを取り外します。(Fig. 1)
- b. CB309~311を外します。(Fig. 1)
- c. ケーブルを固定している束線止めをゆるめます。

3. Removal of MAIN (5) P.C.B.

- a. Remove 1 screw (④) and then remove the Jack Stopper (⑤) upward. (Fig. 1)
- b. Remove the MAIN (5) P.C.B.. (Fig. 1)

3. MAIN (5) P.C.B.の外し方

- a. ④のネジ1本を外し、⑤のジャックストッパーを上方へ外します。(Fig. 1)
- b. MAIN (5) P.C.B.を取り外します。(Fig. 1)

4. Removal of DSP P.C.B.

- a. Remove 4 screws (⑥) and 1 screw (⑦), and then remove the Shield Case Cover. (Fig. 2)
- b. Remove 2 screws (⑧). (Fig. 2)
- c. RX-V530/RX-V530RDS/HTR-5550/HTR-5550RDS/
 DSP-AX530: Remove 5 screws (⑨). (Fig. 3)
 RX-V430/RX-V430RDS/HTR-5540/HTR-5540RDS/
 DSP-AX430: Remove 2 screws (⑨). (Fig. 3)
- d. Remove CB308. (Fig. 2)
- e. Remove the Shield Case and the DSP P.C.B.. (Fig. 2)

4. DSP P.C.B.の外し方

- a. ⑥のネジ4本、⑦のネジ1本を外し、シールドケースカバーを取り外します。(Fig. 2)
- b. ⑧のネジ2本を外します。(Fig. 2)
- c. RX-V530/RX-V530RDS/HTR-5550/HTR-5550RDS/
 DSP-AX530: ⑨のネジ5本を外します。(Fig. 3)
 RX-V430/RX-V430RDS/HTR-5540/HTR-5540RDS/
 DSP-AX430: ⑨のネジ2本を外します。(Fig. 3)
- d. CB308を外します。(Fig. 2)
- e. シールドケースとDSP P.C.B.を取り外します。(Fig. 2)

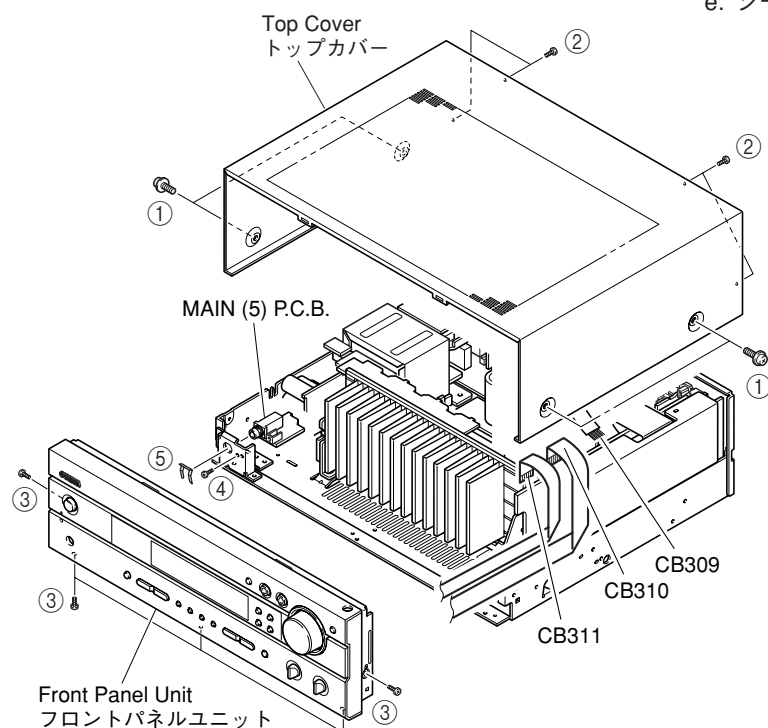


Fig. 1

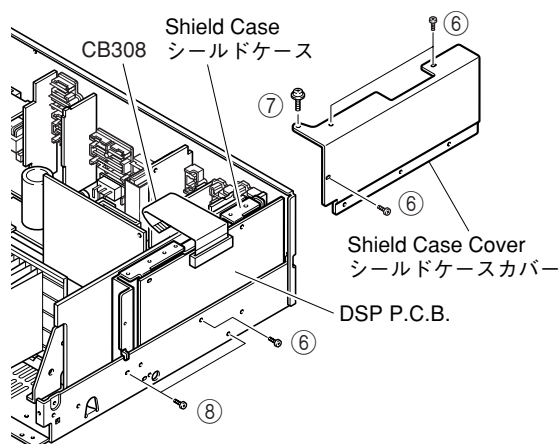


Fig. 2

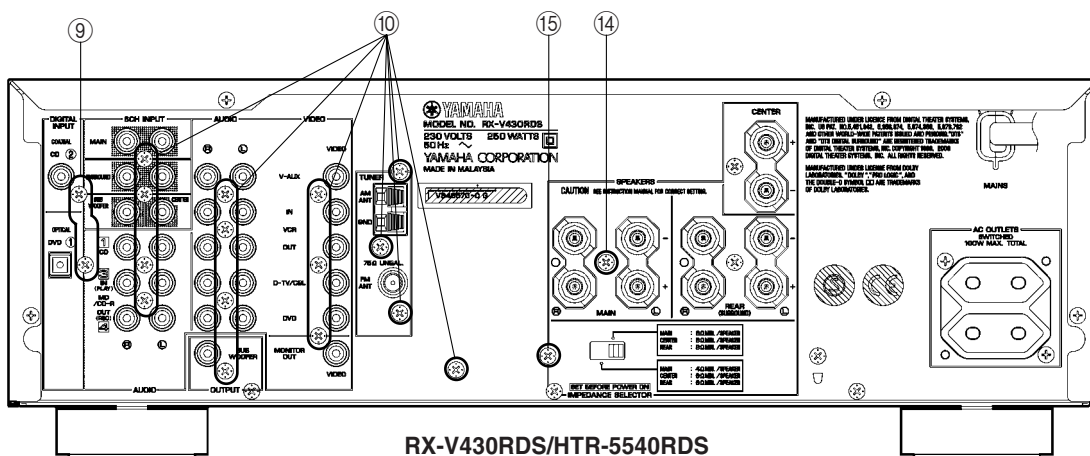
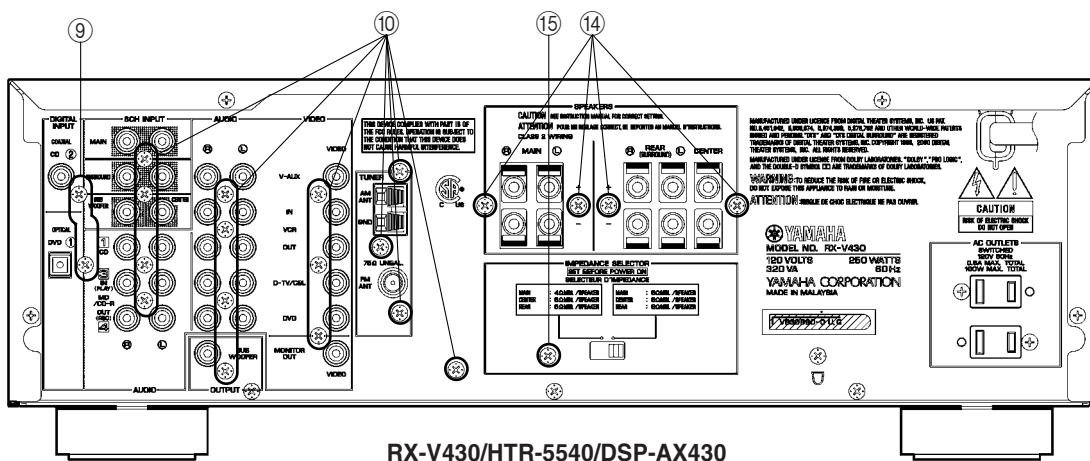
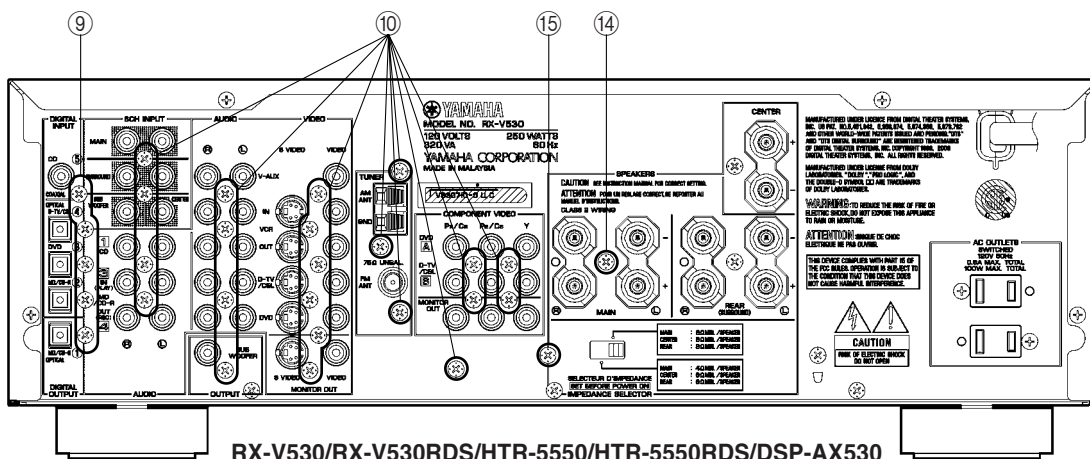


Fig. 3

5. RX-V530/RX-V530RDS/HTR-5550/HTR-5550RDS/DSP-AX530: Removal of FUNCTION (1) ~ (4), FUNCTION (10), VIDEO (1) and VIDEO (2) P.C.B.s and Tuner

- a. Remove CB312. (Fig. 4)
- b. Remove 22 screws (10). (Fig. 3)
- c. Remove 1 screw (11). (Fig. 4)
- d. Remove FUNCTION (1) ~ (4), FUNCTION (10), VIDEO (1) and VIDEO (2) P.C.B.s. and the Tuner. (Fig. 4)

5. RX-V530/RX-V530RDS/HTR-5550/HTR-5550RDS/DSP-AX530: FUNCTION (1)~(4)、FUNCTION (10)、VIDEO (1)、VIDEO (2) P.C.B.、TUNERの外し方

- a. CB312を外します。(Fig. 4)
- b. 10のネジ22本を外します。(Fig. 3)
- c. 11のネジ1本を外します。(Fig. 4)
- d. FUNCTION (1)~(4)、FUNCTION (10)、VIDEO (1)、VIDEO (2) P.C.B.、TUNERを取り外します。(Fig. 4)

RX-V530/RX-V530RDS/HTR-5550/HTR-5550RDS/DSP-AX530
 RX-V430/RX-V430RDS/HTR-5540/HTR-5540RDS/DSP-AX430

**5. RX-V430/RX-V430RDS/HTR-5540/HTR-5540RDS/
 DSP-AX430: Removal of FUNCTION (1) ~ (4),
 FUNCTION (10) P.C.B.s and Tuner**

- Remove CB312. (Fig. 4)
- Remove 15 screws (⑩). (Fig. 3)
- Remove 1 screw (⑪). (Fig. 4)
- Remove FUNCTION (1) ~ (4), FUNCTION (10) P.C.B.s and the Tuner. (Fig. 4)

When checking the P.C.B.:

- Put the rubber sheet and a cloth over the equipment. Then place the P.C.B. upside down on the cloth and check it. (Fig. 5)
- Reconnect all cables (connectors) that have been disconnected.
- The P.C.B. removed from the rear panel does not work because its grounding is loose. Be sure to connect the ground of each P.C.B. to the chassis or GND with a jumper wire or the like.

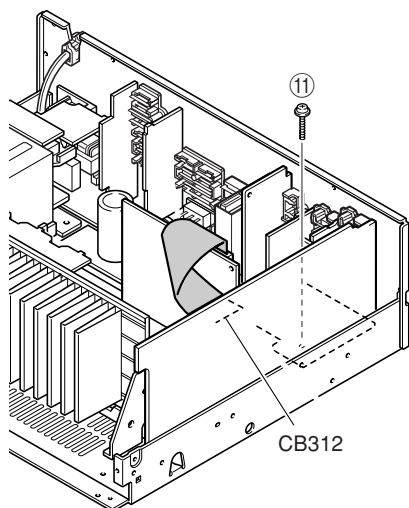


Fig. 4

**6. Removal of MAIN (1), MAIN (3), MAIN (4) and
 FUNCTION (5) P.C.B.s**

- Remove CB253. (Fig. 6)
- Remove 1 screw (⑫) and 2 screws (⑬). (Fig. 6)
- Remove FUNCTION (1) ~ (4), FUNCTION (10), VIDEO (1) and VIDEO (2) P.C.B.s and the Tuner. (Fig. 6)

**7. RX-V530/RX-V530RDS/HTR-5550/HTR-5550RDS/
 DSP-AX530/RX-V430RDS/HTR-5540RDS: Removal
 of MAIN (7) and MAIN (2) P.C.B.s**

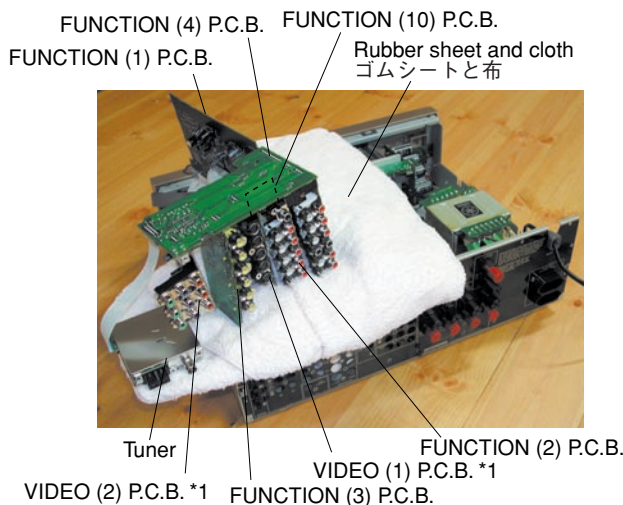
- Remove 1 screw (⑭). (Fig. 3)
- Remove MAIN (7) P.C.B.. (Fig. 6)
- Remove 1 screw (⑮). (Fig. 3)
- Remove 1 screw (⑯). (Fig. 6)
- Remove MAIN (2) P.C.B.. (Fig. 6)

**5. RX-V430/RX-V430RDS/HTR-5540/HTR-5540RDS/
 DSP-AX430: FUNCTION (1) ~ (4),
 FUNCTION (10) P.C.B., TUNERの外し方**

- CB312を外します。(Fig. 4)
- ⑩のネジ15本を外します。(Fig. 3)
- ⑪のネジ1本を外します。(Fig. 4)
- FUNCTION (1)~(4)、FUNCTION (10) P.C.B.、TUNERを取り外します。(Fig. 4)

P.C.B.チェックをする場合には

- 本機の上にゴムシートと布を敷き、その上にP.C.B.を裏返しに置いてチェックします。(Fig. 5)
- 外したケーブル(コネクタ)をすべて接続してください。
- リアパネルから外したP.C.B.はアースが浮いて動作しませんので、各P.C.B.のアースをリード線等でシャーシまたはGNDに接続してください。



*1: RX-V530/RX-V530RDS/HTR-5550/HTR-5550RDS/DSP-AX530 only

Fig. 5

**6. MAIN (1)、MAIN (3)、MAIN (4)、FUNCTION
 (5) P.C.B.の外し方**

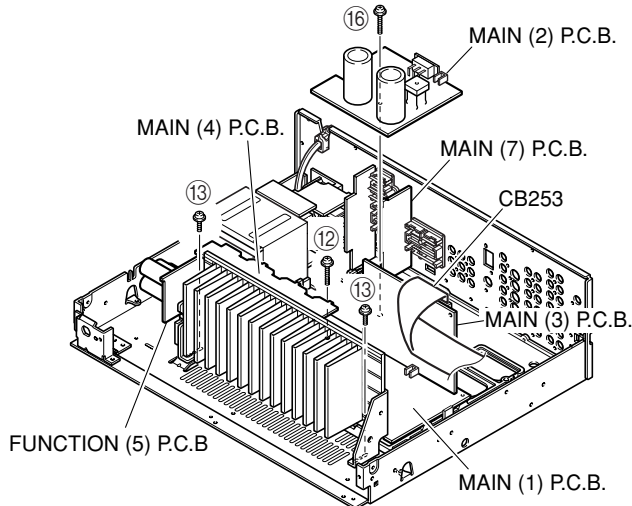
- CB253を外します。(Fig. 6)
- ⑫のネジ1本、⑬のネジ2本を外します。(Fig. 6)
- MAIN (1)、MAIN (3)、MAIN (4)、FUNCTION (5) P.C.B.を取り外します。(Fig. 6)

**7. RX-V530/RX-V530RDS/HTR-5550/HTR-5550RDS/
 DSP-AX530/RX-V430RDS/HTR-5540RDS: MAIN (7)、MAIN (2) P.C.B.の外し方**

- ⑭のネジ1本を外します。(Fig. 3)
- MAIN (7) P.C.B.を取り外します。(Fig. 6)
- ⑮のネジ1本を外します。(Fig. 3)
- ⑯のネジ1本を外します。(Fig. 6)
- MAIN (2) P.C.B.を取り外します。(Fig. 6)

7. RX-V430/HTR-5540/DSP-AX430: Removal of MAIN (10) (10) and MAIN (2) P.C.B.s

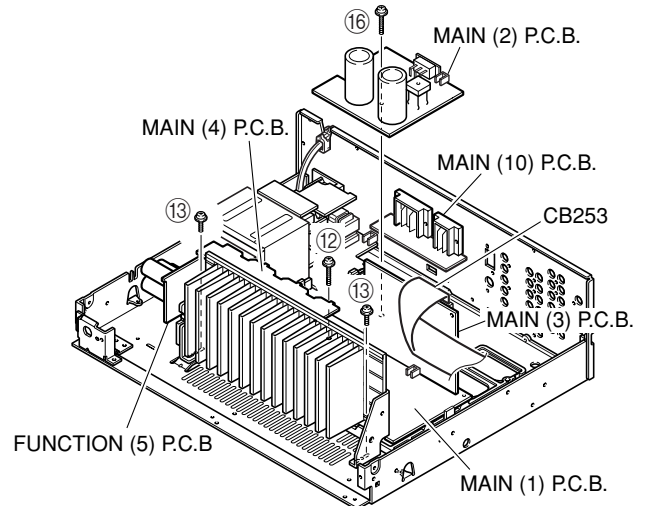
- a. Remove 4 screws (14). (Fig. 3)
- b. Remove MAIN (10) P.C.B.. (Fig. 6)
- c. Remove 1 screw (15). (Fig. 3)
- d. Remove 1 screw (16). (Fig. 6)
- e. Remove MAIN (2) P.C.B.. (Fig. 6)



RX-V530/RX-V530RDS/HTR-5550/HTR-5550RDS/DSP-AX530/RX-V430RDS/HTR-5540RDS

7. RX-V430/HTR-5540/DSP-AX430: MAIN (10)、MAIN (2) P.C.B.の外し方

- a. ⑭のネジ4本を外します。(Fig. 3)
- b. MAIN (10) P.C.B.を取り外します。(Fig. 6)
- c. ⑮のネジ1本を外します。(Fig. 3)
- d. ⑯のネジ1本を外します。(Fig. 6)
- e. MAIN (2) P.C.B.を取り外します。(Fig. 6)



RX-V430/HTR-5540/DSP-AX430

Fig. 6

Replacement of Power Transistor, Speaker Protective Relay

It is easy to replace the power transistor and speaker protective relay of this unit according to the following procedure.

- a. Remove the top cover. (Refer to "1. Top Cover Removal" on p.18.)
- b. Remove 1 screw (12) and 2 screws (13). (Fig. 6)
- c. Raise the MAIN P.C.B. (Fig. 7)
- d. In this state, the power transistor and speaker protective relay can be replaced. To check the operation in this state, it is necessary to connect the grounding cable.

パワートランジスタ、スピーカー保護リレーの交換手順

本機は、パワートランジスタおよびスピーカー保護リレーを容易に交換することができます。

- a. トップカバーを外します。(18ページ "1. トップカバーの外し方"参照)
- b. ⑫のネジ1本、⑬のネジ2本を外します。(Fig. 6)
- c. MAIN P.C.B.を起こします。(Fig. 7)
- d. この状態でパワートランジスタ、スピーカー保護リレーを交換することができます。
 なお、この状態で動作チェックをする場合、アースを接続する必要があります。



Fig. 7

RX-V530/RX-V530RDS/HTR-5550/HTR-5550RDS/DSP-AX530
 RX-V430/RX-V430RDS/HTR-5540/HTR-5540RDS/DSP-AX430

■ SELF DIAGNOSIS FUNCTION (DIAG) / 自己診断機能 (ダイアグ)

There are 14 DIAG menu items, each of which has sub-menu items.

Listed in the table below are menu items and sub-menu items.

Note that not all menu items listed will apply to the models covered in this service manual.

本機には、検査、測定、不良個所の発見を目的にした自己診断機能(ダイアグ)があります。

ダイアグメニューは14個あり、そのそれぞれにサブメニューがあります。(ダイアグのメニュー操作は本体+付属リモコンで行います。) 下表はメニュー一覧です。

| No | DIAG menu | sub-menu |
|----|--------------------------------------|---|
| 1 | DSP THROUGH 1. ANALOG BYPASS | 1. ANALOG BYPASS |
| | | 2. YSS 0dB |
| | | 3. YSS Front 0dB |
| | | 4. YSS FULL BIT |
| | | 5. YSS FULL BIT F |
| 2 | RAM THROUGH 2. RAM 0dB | RAM 0dB |
| 3 | PRO LOGIC 3. PRO LOGIC I | 1. PRO LOGIC I |
| | | 2. PRO LOGIC II |
| 4 | SPEAKER SET 4. MAIN: SML 0dB | 1. MAIN: SMALL 0dB |
| | | 2. CENTER: NONE |
| | | 3. LFE/BASS: MAIN |
| | | 4. Front Mix: 5ch |
| | | 5. REAR CENTER (Not used in this model.) |
| 5 | MARGIN CHECK 5. MAIN 12dB | 1. MAIN 12 dB MARGIN |
| | | 2. MAIN 18 dB MARGIN |
| 6 | OTHER INPUT 6. EXTERNAL DEC | EXTERNAL DECODER |
| 7 | DISPLAY CHECK 7. VFD CHECK | 1. VFD CHECK (Initial display / 初期表示) |
| | | 2. VFD DISP OFF (All segments OFF / 全セグメント消灯) |
| | | 3. VFD DISP ALL (All segments ON 100% / 全セグメント点灯100%) |
| | | 4. VFD DIMMER (All segments ON 50% / 全セグメント点灯50%) |
| | | 5. CHECKED PATTERN (ON in lattice / 格子状点灯) |
| 8 | MANUAL TEST 8. TEST ALL | 1. TEST ALL |
| | | 2. TEST MAIN L |
| | | 3. TEST CENTER |
| | | 4. TEST MAIN R |
| | | 5. TEST REAR R |
| | | 6. TEST REAR CENTER (Not used in this model.) |
| | | 7. TEST REAR L |
| | | 8. TEST LFE |
| 9 | FACTORY PRESET 9. PRESET INHI | 1. PRESET INHIBITED (memory initialization inhibited / メモリーの初期化禁止) |
| | | 2. PRESET RESERVED (memory initialized / メモリーの初期化) |
| 10 | AD DATA CHECK /FAN TEST PS:038 | 1. PS (protection) |
| | | 2. K0/K1 (panel key) |
| | | 3. K2 (panel key) |
| | | 4. IMP SW/POWER LIMIT |
| | | 5. THM/FAN OUT |
| | | 6. FAN DRIVE TEST: HIGH (Fan test only applies to models with a fan. / ファン装備モデルに適用) |
| | | 7. FAN DRIVE TEST: MID (Fan test only applies to models with a fan. / ファン装備モデルに適用) |
| | | 8. FAN DRIVE TEST: LOW (Fan test only applies to models with a fan. / ファン装備モデルに適用) |
| 11 | IF STATUS ISI:440308C000 | 1. INSIDE STATUS 1 (5 Byte) |
| | | 2. INSIDE STATUS 2 (3 Byte) |
| | | 3. INSIDE STATUS 3 (4 Byte) |
| | | 4. CHANNEL STATUS 1 (5 Byte) |
| | | 5. CHANNEL STATUS 2 (5 Byte) |
| | | 6. CHANNEL STATUS 3 (5 Byte) |
| | | 7. CHANNEL STATUS 4 (5 Byte) |
| | | 8. CHANNEL STATUS 5 (4 Byte) |
| | | 9. BSI (YSS) 1 (5 Byte) |
| | | 10. BSI (YSS) 2 (5 Byte) |

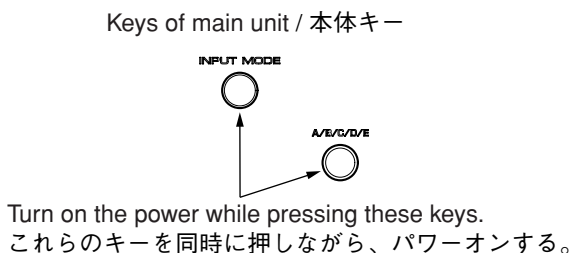
| No | DIAG menu | sub-menu |
|----|---|---|
| | | 11. BSI (YSS) 3 (5 Byte) |
| | | 12. BSI (YSS) 4 (4 Byte) |
| | | 13. BSI (CS) 1 (5 Byte) |
| | | 14. BSI (CS) 2 (5 Byte) |
| | | 15. BSI (CS) 3 (5 Byte) |
| | | 16. BSI (CS) 4 (5 Byte) |
| | | 17. BSI (CS) 5 (1 Byte) |
| | | 18. YSS938-1 (5 Byte) |
| | | 19. YSS938-2 (5 Byte) |
| | | 20. YSS938-3 (4 Byte) |
| | | 21. CS49329 (3 Byte) |
| | | 22. Mute Trigger (5 Byte) |
| 12 | DSP RAM CHECK YSS BUS: NoEr | 1. YSS938 BUS CHECK 2. PLD/CS BUS CHECK |
| 13 | SOFT SWITCH 13. SW : PCB | 1. SW MODE 2. MODEL SETTING 3. TUNER DESTINATION 4. TUNER EXIST 6. RDS EXIST 7. VIDEO FORMAT |
| 14 | ROM VERSION/CHECK SUM/ PORT VER. XXXXX | 1. VERSION 2. CHECK SUM ALL/PROGRAM 3. PORT 4. AAC PORT |

● Starting DIAG

Press the “STANDBY/ON” key while simultaneously pressing those two keys of the main unit as indicated in the figure below.

● ダイアグの起動

本体の下図に示すキーを同時に押しながら“STANDBY/ON”キーを押すと、ダイアグが起動します。



● Starting DIAG in the protection cancel mode

If the protection function works and causes hindrance to trouble diagnosis, cancel the protection function as described below, and it will be possible to enter the DIAG mode. (The protection functions other than the excess current detect function will be disabled.)

● プロテクション解除モードでの起動

プロテクションが動作することにより、故障箇所の診断に支障をきたすような場合は、次の方法によりプロテクションを解除した状態でダイアグモードに入ることが出来ます。(過電流検出以外のプロテクション動作を解除する)

Press the “STANDBY/ON” key while simultaneously pressing those two keys indicated in the figure above. At this time, keep pressing those two keys for 3 seconds or longer.

上図のキーを同時に押しながら“STANDBY/ON”キーを押します。このとき、上図のキーを3秒以上押し続けてください。

このモードでは本体FLの“SLEEP”セグメントが点滅し、プロテクションを解除した状態でのダイアグモードであることを知らせます。

In this mode, the “SLEEP” segment of the FL display of the main unit flashes to indicate that the mode is DIAG mode with the protection functions disabled.

CAUTION!

Using this product with the protection function disabled may cause damage to itself. Use special care for this point when using this mode.

● Canceling DIAG

[1] Before canceling DIAG, execute setting for PRESET of DIAG menu No.9 (Memory initialization inhibited or Memory initialized).

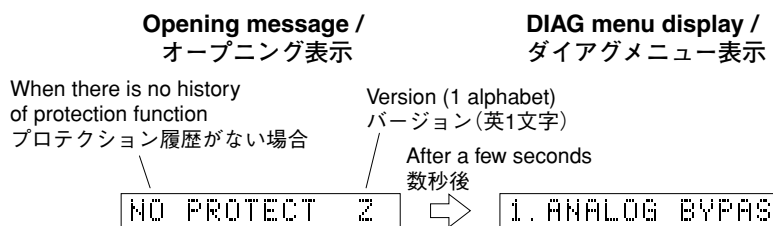
* In order to keep the user memory stored, be sure to select PRESET INHIBITED (Memory initialization inhibited).

[2] Turn off the power by pressing the "STANDBY/ON" key of the main unit.

● Display provided when DIAG started

The FL display of the main unit displays the protection function history data and the version (1 alphabet) and the DIAG menu (sub-menu (ANALOG BYPASS) of DIAG menu No.1 DSP THROUGH) a few seconds later.

When there is no history of protection function:



When there is a history of protection function:



Cause: An excessive current flowed through the power amplifier.

Supplementary information: As current of the power transistor is detected, the abnormal channel can be identified by checking the current detect transistor.

Turning on the power without correcting the abnormality will cause the protection function to work immediately and the power supply will instantly be shut off.

Note)

- Applying the power to a unit without correcting the abnormality can be dangerous and cause additional circuit damage.
- The output transistors in each amplifier channel should be checked for damage before applying any power.
- Amplifier current should be monitored by measuring across the emitter resistors for each channel.

注意!

プロテクションを解除した状態でのダイアグモードは、危険な状態でもプロテクションが作動しないため、動作させると、機器を破壊することがあります。このモードを使用する場合は十分注意してください。

● ダイアグの解除

① ダイアグを解除する前に、ダイアグメニューNo.9のFACTORY PRESET (メモリーの初期化禁止/またはメモリーの初期化)の設定をします。

※ ユーザーメモリーを保持したい場合は、必PRESET INHIBITED (メモリー初期化禁止)を選択してください。

② 本体の"STANDBY/ON"キーを押し、パワーオフにします。

● ダイアグ起動時の表示

本体のFLディスプレイにプロテクション履歴情報とバージョン(英1文字)が表示され、数秒後にダイアグメニュー (No.1 DSP THROUGHのサブメニューANALOG BYPASS)になります。

プロテクション履歴がない場合:

プロテクション履歴がある場合:

原因: パワーアンプに過電流が流れた。

補足: パワーtransistorsの電流を検出していますので、電流検出transistorsをチェックすれば異常チャンネルが特定できます。

異常状態のままパワーオンすると、瞬時にプロテクションがかかり、すぐに電源が切れます。

When there is a history of protection function due to an abnormal voltage in the power supply section
 電源部の電圧異常によるプロテクション履歴がある場合

Version (1 alphabet)
 バージョン(英1文字)

PS PRT:000 Z

Voltage display in %
 電圧の%表示

Cause: The voltage in the power supply section is abnormal.

Supplementary information: The abnormal voltage is displayed in % based on 5V as 100%.

Turning on the power without correcting the abnormality will cause the protection function to work 1 second later and the power supply will be shut off.

原因：電源部の電圧が異常。

補足：異常時の電圧の状態を、5Vを100%とした値で%表示します。

異常状態のままパワーオンすると、1秒後にプロテクションがかかり、電源が切れます。

When there is a history of protection function due to abnormal DC output
 DC出力異常によるプロテクション履歴がある場合

Version (1 alphabet)
 バージョン(英1文字)

DC PRT: Z

Cause: DC output of the power amplifier is abnormal.

Turning on the power without correcting the abnormality will cause the protection function to work 3 seconds later and the power supply will be shut off.

原因：パワーアンプのDC出力が異常。

異常状態のままパワーオンすると、3秒後にプロテクションがかかり、電源が切れます。

When there is a history of protection function due to excessive heat sink temperature
 放熱器の異常温度によるプロテクション履歴がある場合

Version (1 alphabet)
 バージョン(英1文字)

TMP PRT:000 Z

Voltage display in %
 電圧の%表示

Cause: The temperature of the heat sink is excessive.

Supplementary information: The abnormal voltage is displayed in % based on 5V as 500%.

Turning on the power without correcting the abnormality will cause the protection function to work 1 second later and the power supply will be shut off.

原因：放熱器の温度が異常。

補足：異常時の電圧の状態を、5Vを500%とした値で%表示します。

異常状態のままパワーオンすると、1秒後にプロテクションがかかり、電源が切れます。

* Additional causes of protection can be due to loose connections, associated components, CPU, etc.

* For the protection voltage value, refer to DIAG menu No.10 described later.

※ 前記の異常原因の他に、コネクタのはずれやCPU周辺などに原因がある場合があります。

※ プロテクションの電圧値に関しては、後述のダイアグメニューNo.10を参照してください。

RX-V530/RX-V530RDS/HTR-5550/HTR-5550RDS/DSP-AX530
 RX-V430/RX-V430RDS/HTR-5540/HTR-5540RDS/DSP-AX430

● **History of protection function**

When the protection function has worked, its history is stored in memory with a backup. Even if no abnormality is noted while servicing the unit, an abnormality which has occurred previously can be defined as long as the backup data has been stored.

The history of the protection function is cleared when DIAG is cancelled by selecting PRESET RESERVED (Memory initialized) of DIAG menu No.9 or when the backup data is erased.

● **プロテクションの履歴**

プロテクションが働いた場合、履歴をバックアップして記憶しています。サービスのときに異常が認められなくても、バックアップが残っていれば、お客様のところで起きた異常を区別できます。

プロテクションの履歴は、ダイアグメニューNo.9でPRESET RESERVED(メモリーの初期化)を選んでダイアグを解除した場合や、バックアップが消えたときにはクリアされます。

● **Display during menu operation**

During the DIAG operation, the function at work is indicated on the FL indicator. The contents displayed during the function operation are described in the later section on details of functions

● **メニュー動作中の表示**

ダイアグ中、本体のFLディスプレイに動作中の機能が表示されます。機能動作中の表示内容については、後述の機能詳細で記述します。

● **Operation procedure of DIAG menu and SUB-MENU**

There are 14 MENU items, each of which has some SUB-MENU items.

● **ダイアグメニューとサブメニューの操作**

ダイアグにはNo.1～14のメニューがあり、そのそれぞれにサブメニューがあります。

DIAG menu selection

Main unit: Select the menu using ▷ (Forward) and ◁ (Reverse) keys of PRESET/TUNING.

ダイアグメニューの選択

本体キーでの操作： PRESET/TUNING ▷ (順送り), ◁ (逆送り)キーで選択します。

Remote control unit: Select the menu using ∨ (Forward) and ∧ (Reverse) keys.

リモコンでの操作： ∨ (順送り), ∧ (逆送り)キーで選択します。

SUB-MENU selection

Main unit: Select the sub-menu using ▷ (Forward) and ◁ (Reverse) keys of PROGRAM.

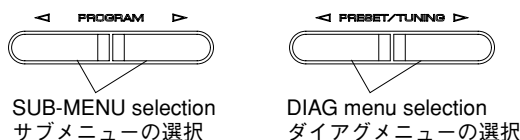
サブメニューの選択

本体キーでの操作： PROGRAM ▷ (順送り), ◁ (逆送り)キーで選択します。

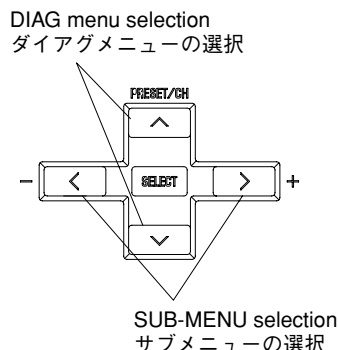
Remote control unit: Select the sub-menu using > (Forward) and < (Reverse) keys.

リモコンでの操作： > (順送り), < (逆送り)キーで選択します。

Keys of main unit / 本体キー



Keys of remote control / リモコンキー



● Functions in DIAG mode

In addition to the DIAG menu items, functions as listed below are available.

- Input selection, 6CH input
- Center/Rear/Sub-woofer level adjustment
- Muting
- Power on/off
- Master volume

* Functions related to the tuner and the set menu are not available.

* It is possible to confirm Menu No.11 IF STATUS while keeping the signal process (operation status) of each DIAG menu by using the input mode key of the main unit.

● Initial settings used to start DIAG

The following initial settings are used when starting DIAG. When DIAG is canceled, these settings are restored to those before starting DIAG.

- Master volume: -40dB
- Input: DVD (6CH INPUT OFF)
- Effect level: 0dB
- Audio mute: OFF
- Speaker setting: LARGE / BASS OUT = BOTH
- DIAG menu: DSP THROUGH (1. ANALOG BYPASS)

● ダイアグ中の機能

ダイアグメニューの他に、以下の機能が動作します。

- インプット切り換え、6CHインプット
- センター、リア、サブウーファーレベル調整
- ミューティング
- パワーオン/オフ
- マスターボリューム

※ チューナー関連、セットメニュー関連は機能しません。

※ 本体のINPUT MODEキーにより、各ダイアグメニューの信号処理(動作状態)を維持したままメニューNo.11 “IF STATUS”の確認ができます。

● ダイアグ開始時の初期設定

ダイアグ開始時に以下のような設定になります。ダイアグ解除時にはダイアグ開始前の状態に戻ります。

- マスターボリューム：-40dB
- インプット：DVD (6CH INPUT オフ)
- エフェクトレベル：0dB
- オーディオミュート：オフ
- スピーカー設定：LARGE / BASS OUT = BOTH
- ダイアグメニュー：DSP THROUGH (1. ANALOG BYPASS)

● Details of DIAG menu

With full-bit output specified in some modes, it is possible to execute 0dBFS output without head margin in each channel.

1. DSP THROUGH

Main DSP of YSS938 is selected for MAIN L/R output.

ANALOG BYPASS

- The signal for L/R is output as it is without passing through the DSP section.

● ダイアグメニュー詳細

一部のモードでフルビット指定することで、各チャンネルのヘッドマージンを廃して0dBFS出力することが可能です。

1. DSP THROUGH

MAIN L/R出力にはYSS938のMain DSPが選択されま
す。

ANALOG BYPASS

- L/Rは、DSP部を通らずにそのまま出力されます。

1. ANALOG BYPASS

Reference data

INPUT: DVD ANALOG

SWFR: 50Hz, Others: 1kHz

| Input level | Volume | SPEAKER OUTPUT (1kHz) | | | SUBWOOFER OUTPUT (50Hz) |
|------------------|--------|-----------------------|--------|-------|----------------------------|
| | | MAIN L/R | CENTER | RL/RR | |
| Both ch, -20 dBV | -10 dB | +14.3 dBV | -∞ | -∞ | -∞ |

YSS 0dB

- The signal is output including the head margin.
Head margin:
Main L/R: 0dBFS, Center: 0dBFS,
RL/RR: -12dBFS, SWFR: Add L/R signal at -20dBFS.

YSS 0dB

- ヘッドマージンを含んで出力されます。
ヘッドマージン：
Main L/R: 0dBFS、Center: 0dBFS、
RL/RR: -12dBFS、SWFR: L/Rを-20dBfsにて加算

1. YSS 0dB

Reference data

INPUT: DVD ANALOG

SWFR: 50Hz, Others: 1kHz

| Input level | Volume | SPEAKER OUTPUT (1kHz) | | | SUBWOOFER OUTPUT (50Hz) |
|------------------|--------|-----------------------|-----------|-----------|----------------------------|
| | | MAIN L/R | CENTER | RL/RR | |
| Both ch, -20 dBV | -10 dB | +14.0 dBV | +14.0 dBV | +14.0 dBV | -2.5 dBV |

YSS Front 0dB

- The front CH signal including the head margin is output at the main CH.
Head margin:
Main L/R: 0dBFS, Center: -6dBFS,
RL/RR: -12dBFS, SWFR: Add L/R signal at -20dBFS.

YSS Front 0dB

- ヘッドマージンを含んで、フロントCHがメインCHに出
力されます。
ヘッドマージン：
Main L/R: 0dBFS、Center: -6dBFS、
RL/RR: -12dBFS、SWFR: L/Rを-20dBfsにて加算

1. YSS Front0dB

Reference data

INPUT: DVD ANALOG

SWFR: 50Hz, Others: 1kHz

| Input level | Volume | SPEAKER OUTPUT (1kHz) | | | SUBWOOFER OUTPUT (50Hz) |
|------------------|--------|-----------------------|--------|-------|----------------------------|
| | | MAIN L/R | CENTER | RL/RR | |
| Both ch, -20 dBV | -10 dB | +25.0 dBV | -∞ | -∞ | -∞ |

YSS FULL BIT

- The signal is output in digital full bit without including the head margin.

YSS FULL BIT

- ヘッドマージンを含まず、デジタルフルビットで出力されます。

1. YSS FULL BIT

Reference data

INPUT: DVD ANALOG

SWFR: 50Hz, Others: 1kHz

| Input level | Volume | SPEAKER OUTPUT (1kHz) | | | SUBWOOFER OUTPUT (50Hz) |
|------------------|--------|-----------------------|-----------|-----------|-------------------------|
| | | MAIN L/R | CENTER | RL/RR | |
| Both ch, -20 dBV | -10 dB | +14.6 dBV | +14.4 dBV | +14.5 dBV | -2.5 dBV |

YSS FULL BIT F

- The front CH signal is output in digital full bit at the main CH.

YSS FULL BIT F

- フロントCHがメインCHに、デジタルフルビットで出力されます

1. FULL BIT F

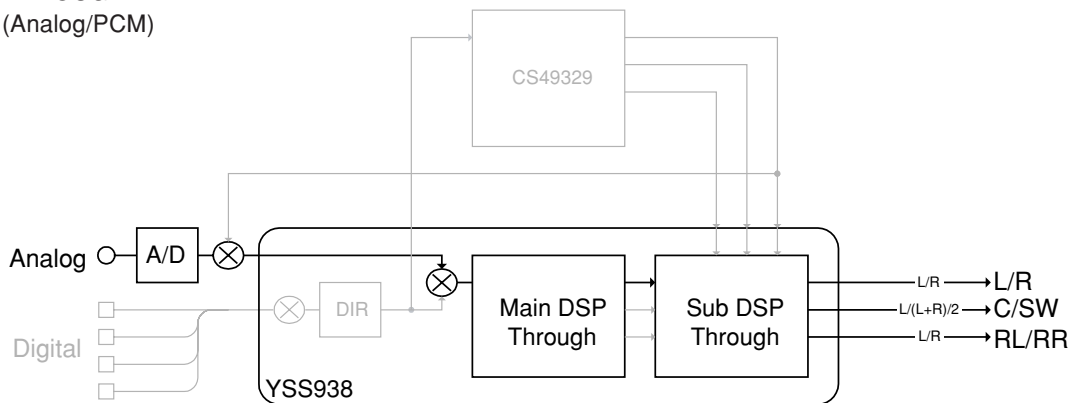
Reference data

INPUT: DVD ANALOG

SWFR: 50Hz, Others: 1kHz

| Input level | Volume | SPEAKER OUTPUT (1kHz) | | | SUBWOOFER OUTPUT (50Hz) |
|------------------|--------|-----------------------|--------|-------|-------------------------|
| | | MAIN L/R | CENTER | RL/RR | |
| Both ch, -20 dBV | -10 dB | +14.0 dBV | - ∞ | - ∞ | - ∞ |

DSP THROUGH ~
 YSS (Analog/PCM)



RX-V530/RX-V530RDS/HTR-5550/HTR-5550RDS/DSP-AX530
 RX-V430/RX-V430RDS/HTR-5540/HTR-5540RDS/DSP-AX430

2. RAM THROUGH

This function is for YSS938 only.
 Only the CT signal is output through the Sub DSP - DRAM.

RAM 0dB

2. RAM 0dB

2. RAM THROUGH

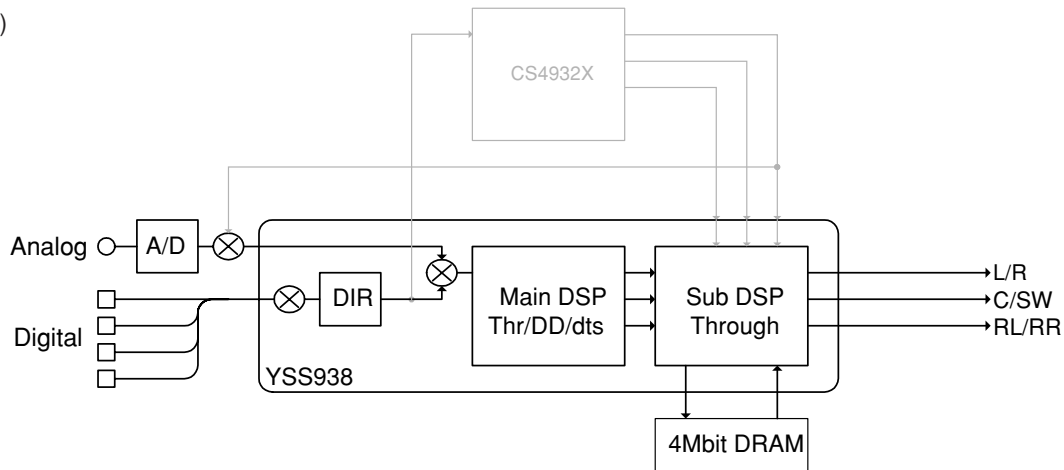
YSS938のみの動作です。
 CTのみがSub DSP - DRAM経由で出力されます。

RAM 0dB

Reference data
 INPUT: DVD ANALOG
 SWFR: 50Hz, Others: 1kHz

| Input level | Volume | SPEAKER OUTPUT (1kHz) | | | SUBWOOFER OUTPUT (50Hz) |
|------------------|--------|-----------------------|-----------|-------|-------------------------|
| | | MAIN L/R | CENTER | RL/RR | |
| Both ch, -20 dBV | -10 dB | -∞ | +14.0 dBV | -∞ | -∞ |

RAM THROUGH ~
 (Auto)



RX-V530/RX-V530RDS/HTR-5550/HTR-5550RDS/DSP-AX530
 RX-V430/RX-V430RDS/HTR-5540/HTR-5540RDS/DSP-AX430

3. PRO LOGIC

The L/C/R/RL/RR signals undergo the Pro-Logic processing and C/RL/RR signals are output through Sub DSP-DRAM. Main DSP is selected for MAIN L/R output. Using the sub-menu, it is possible to select PRO LOGIC I, II (Movie). The Auto Input Balance function is always off. The LFE signal is not output when decoding in the PRO LOGIC I, II mode.

3. PRO LOGIC

L/C/R/RL/RRはYSS938によりプロロジック処理され、C/RL/RRはSub DSP-DRAM経由で出力されます。MAIN L/R出力にはMain DSPが選択されます。サブメニューでPRO LOGIC I、II(Movie)を選択可能です。常時Auto Input Balance offです。

AAC入力時はCS49329でデコード後、L/Rはプロロジック処理されます。(J modelのみ)
 PRO LOGIC I、IIデコード時は、LFEは出力されません。

PRO LOGIC I

PRO LOGIC I

3. PRO LOGIC I

Reference data
 INPUT: DVD ANALOG
 SWFR: 50Hz, Others: 1kHz

| Input level | Volume | SPEAKER OUTPUT (1kHz) | | | SUBWOOFER OUTPUT (50Hz) |
|------------------|--------|-----------------------|-----------|-------|-------------------------|
| | | MAIN L/R | CENTER | RL/RR | |
| Each ch, -20 dBV | -10 dB | +14.2 dBV | - ∞ | - ∞ | - ∞ |
| Both ch, -20 dBV | -10 dB | - ∞ | +17.0 dBV | - ∞ | - ∞ |

PRO LOGIC II

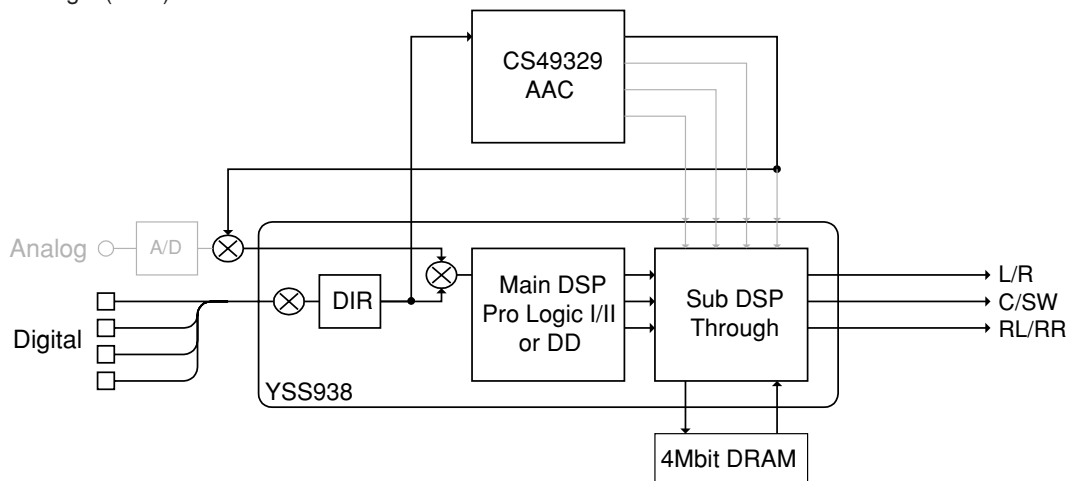
PRO LOGIC II

3. PRO LOGIC II

Reference data
 INPUT: DVD ANALOG
 SWFR: 50Hz, Others: 1kHz

| Input level | Volume | SPEAKER OUTPUT (1kHz) | | | SUBWOOFER OUTPUT (50Hz) |
|------------------|--------|-----------------------|-----------|-------|-------------------------|
| | | MAIN L/R | CENTER | RL/RR | |
| Each ch, -20 dBV | -10 dB | +14.2 dBV | - ∞ | - ∞ | - ∞ |
| Both ch, -20 dBV | -10 dB | - ∞ | +17.0 dBV | - ∞ | - ∞ |

Dolby Pro Logic (Auto)



RX-V530/RX-V530RDS/HTR-5550/HTR-5550RDS/DSP-AX530
 RX-V430/RX-V430RDS/HTR-5540/HTR-5540RDS/DSP-AX430

4. SPEAKERS SET

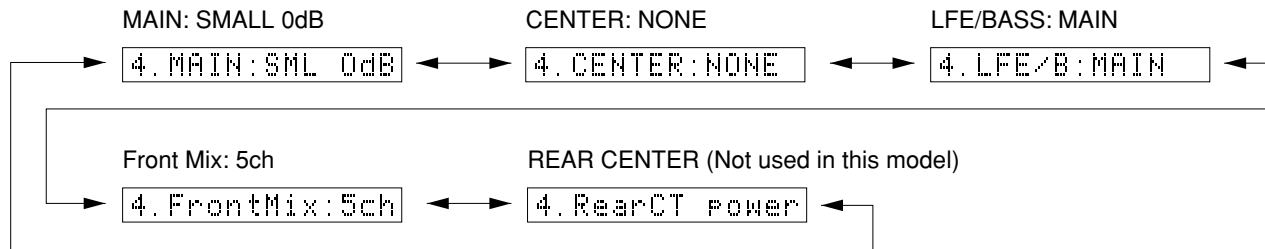
The input signal is automatically identified and switched in the priority order of dts → DOLBY DIGITAL → AAC → PCM AUDIO → Analog (A/D) according to the signal detection.

The signals output from the DSP block are the same as 1.
 DSP THROUGH: YSS 0dB.

4. SPEAKERS SET

入力は信号検出によって、dts → DOLBY DIGITAL → AAC → PCM AUDIO → アナログ (A/D) の優先順で自動判別切り換えされます。

DSP部からは、No.1 DSP THROUGHのYSS 0dBと同様の信号が出力されます。



The analog switch settings for each sub-menu are as shown in the table below.

各サブメニューにおけるアナログスイッチの設定は以下の通りです。

| | Sub-menu | CENTER SP | REAR SP | MAIN SP | MAIN LEVEL | LFE/BASS |
|---|--------------------|-----------|---------|---------|------------|----------|
| 1 | MAIN: SMALL 0dB | LARGE | LARGE | SMALL | 0dB | SWFR |
| 2 | CENTER: NONE | NONE | LARGE | LARGE | 0dB | BOTH |
| 3 | LFE/BASS: MAIN | SMALL | SMALL | LARGE | 0dB | MAIN |
| 4 | FRONT MIX: 5CH | LARGE | LARGE | LARGE | 0dB | BOTH |
| 5 | REAR CENTER: POWER | LARGE | LARGE | LARGE | 0dB | BOTH |

- LARGE:** This mode is used with a speaker with high bass reproduction performance (a large unit). Full bandwidth signals are output.
- SMALL:** This mode is used with a speaker with low bass reproduction performance (a small unit). The signals of 90Hz or less are mixed into the channel specified by LFE/BASS.
- NONE:** This mode is used with no center speaker. The center content is reduced by 3dB and distributed to MAIN L/R.

- LARGE:** 低音再生能力の高い(ユニットの大きい)スピーカーを使用するモードです。全帯域が出力されます。
- SMALL:** 低音再生能力の低い(ユニットの小さい)スピーカーを使用するモードです。90Hz以下がLFE/BASSで指定したチャンネルにミックスされます。
- NONE:** スピーカーを使用しないモードです。センター成分は-3dBされて、MAIN L/R に振り分けられます。

Reference data

INPUT: DVD ANALOG (Both ch)

| Sub-menu | Input level | Volume | SPEAKER OUTPUT (1kHz) | | | SUBWOOFER OUTPUT (50Hz) | |
|----------|-----------------|----------------------------|-----------------------|-----------------|-----------|-------------------------|-----|
| | | | MAIN L/R | CENTER | RL/RR | | |
| 1 | MAIN: SMALL 0dB | 1kHz/90Hz Both ch, -20 dBV | -10 dB | +14.8/+11.5 dBV | - ∞ | - ∞ | - ∞ |
| 2 | CENTER: NONE | 1kHz Both ch, -20 dBV | -10 dB | +11.9 dBV | +14.1 dBV | - ∞ | - ∞ |
| 3 | LFE/BASS: MAIN | 50Hz Both ch, -20 dBV | -10 dB | +13.0 dBV | - ∞ | - ∞ | - ∞ |
| 4 | FRONT MIX: 5CH | 1kHz Both ch, -20 dBV | -10 dB | +24.0 dBV | - ∞ | - ∞ | - ∞ |

5. MARGIN CHECK

The signal is output including the head margin.

MAIN 12dB MARGIN

5. MAIN 12dB

Reference data

INPUT: DVD ANALOG

SWFR: 50Hz, Others: 1kHz

| Input level | Volume | SPEAKER OUTPUT (1kHz) | | | SUBWOOFER OUTPUT (50Hz) |
|------------------|--------|-----------------------|--------|-------|-------------------------|
| | | MAIN L/R | CENTER | RL/RR | |
| Both ch, -20 dBV | -10 dB | +14.0 dBV | - ∞ | - ∞ | - ∞ |

5. MARGIN CHECK

ヘッドマージンを含んで出力されます。

MAIN 12dB MARGIN

MAIN 18dB MARGIN

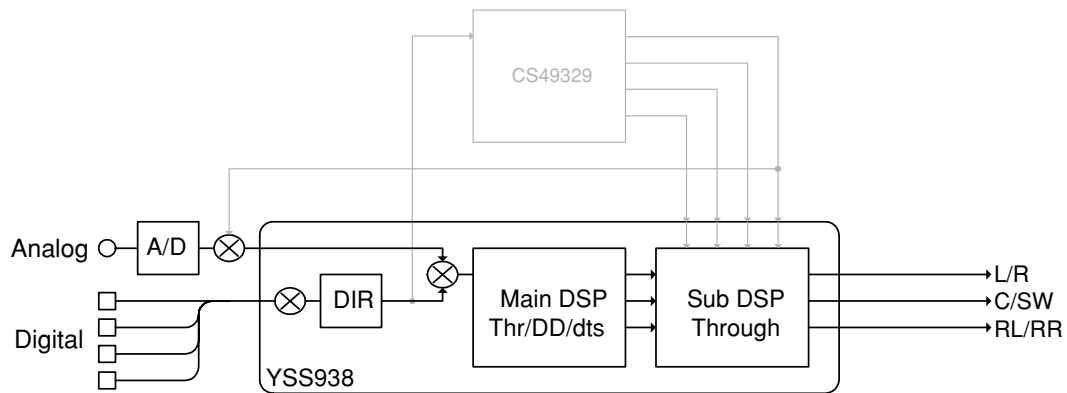
5. MAIN 18dB

Reference data

INPUT: DVD ANALOG

SWFR: 50Hz, Others: 1kHz

| Input level | Volume | SPEAKER OUTPUT (1kHz) | | | SUBWOOFER OUTPUT (50Hz) |
|------------------|--------|-----------------------|--------|-------|-------------------------|
| | | MAIN L/R | CENTER | RL/RR | |
| Both ch, -20 dBV | -10 dB | +14.0 dBV | - ∞ | - ∞ | - ∞ |



6. OTHER INPUT

The signal input through the 6CH INPUT terminals is output.

EXTERNAL DECODER

6. EXTERNAL DEC

Reference data

INPUT: 6CH INPUT

SWFR: 50Hz, Others: 1kHz

| Input level | Volume | SPEAKER OUTPUT (1kHz) | | | SUBWOOFER OUTPUT (50Hz) |
|------------------|--------|-----------------------|-----------|-----------|-------------------------|
| | | MAIN L/R | CENTER | RL/RR | |
| Both ch, -20 dBV | -10 dB | +14.3 dBV | +14.3 dBV | +14.3 dBV | -7.5 dBV |

7. DISPLAY CHECK

This program is used to check the FL display section. The display condition varies as shown below according to the sub-menu operation. The signals are processed using EFFECT OFF (The L/R signal is output using ANALOG MAIN BYPASS.)

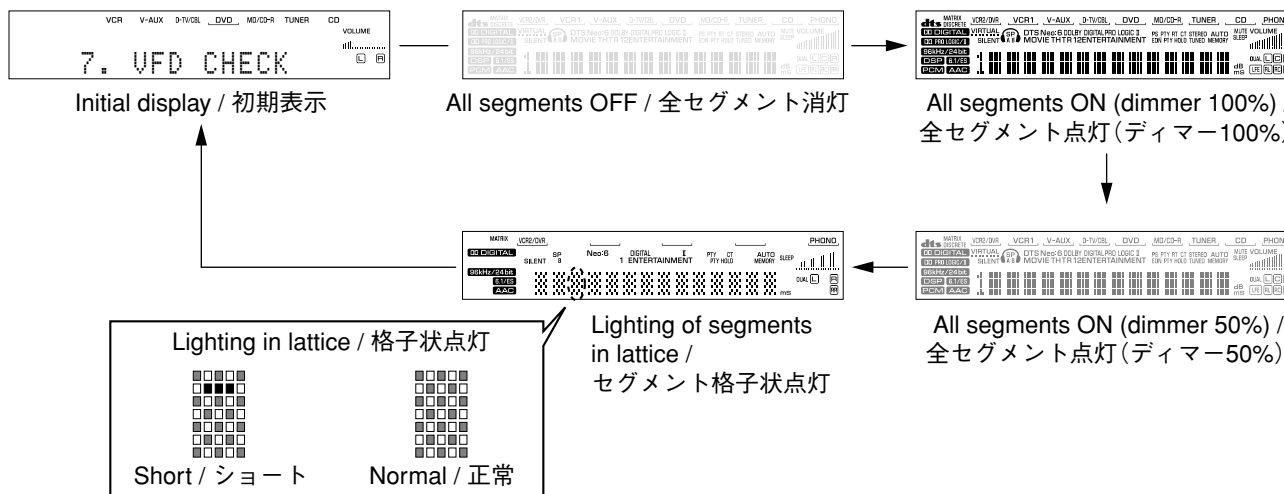
6. OTHER INPUT

6CH入力した信号が出力されます。

EXTERNAL DECODER

7. DISPLAY CHECK

FL表示部のチェックプログラムです。サブメニュー操作により、表示状態が以下のように変わります。信号処理はEFFECT OFF (ANALOG MAIN BYPASSでL/Rを出力)です。



Segment conditions of the FL driver and the FL tube are checked by turning ON and OFF all segments. Next, the operation of the FL driver is checked by using the dimmer control. Then a short between segments next to each other is checked by turning ON and OFF all segments alternately (in lattice). (In the above example, the segments in the second row from the top are shorted.)

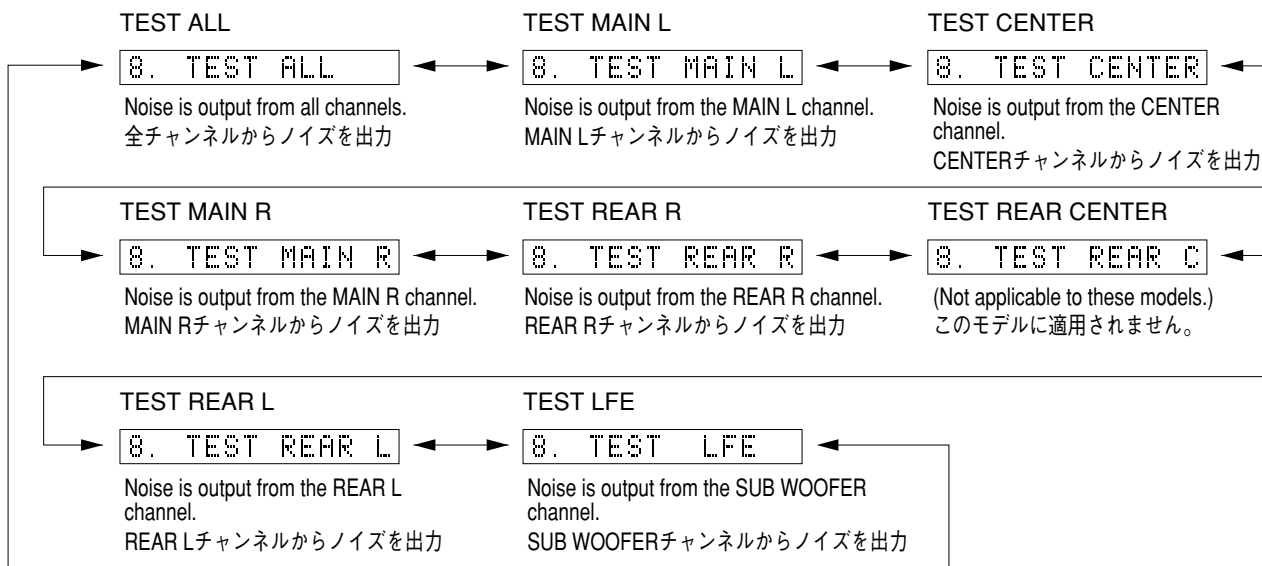
全セグメント消灯・全セグメント点灯によりFLドライバー、FL管のセグメントの不良を確認します。次に、ディマーコントロールによってFLドライバーの動作チェックを行います。さらに全セグメントを交互(格子状)に点灯/消灯することで、隣り合うセグメントのショートをチェックします。

8. MANUAL TEST

The noise generator built into the DSP outputs the test noise through the channels specified by the sub-menu.
The noise frequency for LFE is 35 to 250 Hz. Other than that, the center frequency is 800Hz.

8. MANUAL TEST

DSP内蔵のノイズ発生回路によって、サブメニューで指定したチャンネルへテストノイズを出力します。
LFE用のノイズ周波数は35～250Hz、それ以外は中心周波数800Hzとなります。



9. FACTORY PRESET

This menu is used to reserve and inhibit initialization of the back-up RAM. The signals are processed using EFFECT OFF. (The L/R signal is output using ANALOG MAIN BYPASS.)

9. FACTORY PRESET

バックアップ用RAM（音場プログラムのパラメーターやセットメニュー内容等）の初期化を予約/禁止します。信号処理はEFFECT OFFと同じです（ANALOG MAIN BYPASSで、L/Rを出力）。

9. PRESET INHI

PRESET INHIBIT (Initialization inhibited) / **PRESET INHIBIT** (初期化禁止)

RAM initialization is not executed. Select this sub-menu to protect the values set by the user.
RAMの初期化は行われません。ユーザーの設定値を保護するときは、こちらを選択してください。

9. PRESET RSRV

PRESET RESERVED (Initialization reserved) / **PRESET RESERVED** (初期化予約)

Initialization of the back-up RAM is reserved. (Actually, initialization is executed the next time that the power is turned on.) Select this sub-menu to reset to the original factory settings or to reset the RAM.

バックアップRAMの初期化が予約されます。（実際に初期化されるのは、次回の電源投入時です。）工場出荷時やRAMをリセットしたいときは、こちらを選択してください。

CAUTION: Before setting to the PRESET RESERVED, write down the existing preset memory content of the Tuner in a table as shown below. (This is because setting to the PRESET RESERVED will cause the user memory content to be erased.)

注意：PRESET RESERVEDを選んで初期化をする前に、チューナーのユーザーメモリー内容を下表に書き写してください。（初期化をすると、ユーザーメモリーの内容は消えてしまいます。）

| Preset group | P1 | P2 | P3 | P4 | P5 | P6 | P7 | P8 |
|--------------|----|----|----|----|----|----|----|----|
| A | | | | | | | | |
| B | | | | | | | | |
| C | | | | | | | | |
| D | | | | | | | | |
| E | | | | | | | | |

RX-V530/RX-V530RDS/HTR-5550/HTR-5550RDS/DSP-AX530
RX-V430/RX-V430RDS/HTR-5540/HTR-5540RDS/DSP-AX430

• PRESET STATIONS / プリセット局

| STATION | | FM FACTORY PRESET DATA (MHz) | | |
|---------|-----|------------------------------|---------------------|------|
| PAGE | NO. | U, C | R, T, K, A, B, G, L | J |
| A/C/E | 1 | 87.5 | 87.5 | 76.0 |
| | 2 | 90.1 | 90.1 | 83.0 |
| | 3 | 95.1 | 95.1 | 84.0 |
| | 4 | 98.1 | 98.1 | 86.0 |
| | 5 | 107.9 | 108.0 | 90.0 |
| | 6 | 88.1 | 88.1 | 78.0 |
| | 7 | 106.1 | 106.1 | 88.0 |
| | 8 | 107.9 | 108.0 | 82.1 |

| STATION | | AM FACTORY PRESET DATA (kHz) | | |
|---------|-----|------------------------------|------------|------|
| PAGE | NO. | U, C, R, T, K | A, B, G, L | J |
| B/D | 1 | 630 | 630 | 630 |
| | 2 | 1080 | 1080 | 1080 |
| | 3 | 1440 | 1440 | 1440 |
| | 4 | 530 | 531 | 531 |
| | 5 | 1710 | 1611 | 1611 |
| | 6 | 900 | 900 | 900 |
| | 7 | 1350 | 1350 | 1350 |
| | 8 | 1400 | 1404 | 1404 |

10. AD DATA CHECK/FAN TEST

This menu is used to display the A/D conversion value of the terminals which detects panel keys of the main unit and protection functions in % using the sub-menu. During signal processing, the condition before execution is maintained.

When K0/K1 or K2 menu is selected, keys become non-operable due to detection of the values of all keys. However, it is possible to advance to the next sub-menu by turning the VOLUME of the main unit. When using this function, note that turning the VOLUME more than 2 click would cause the volume value to change.

* The figures in the diagram are given as reference only.

PS (protection detection)

Power supply voltage protection value (Normal value: 28 to 47)

* If PS is out of the normal value range, the protection function works to turn off the power.

PS:038

K0/K1 (Panel key of main unit)

K2 (Panel key of main unit)

A/D of the key fails to function properly when the standard value is deviated. In this case, check the constant of partial pressure resistor, solder condition, etc. Refer to table 1.

K0:100 K1:100

K2:100

[Table 1]

| Display | K0 | K1 | K2 |
|---------|-----------------|---------------------------|------------|
| 0 | STEREO EFFECT | PRESET/TUNING EDIT | INPUT MODE |
| 9 | ◀ PROGRAM | FM/AM | ◀ INPUT |
| 20 | PROGRAM ▶ | MEMORY | INPUT ▶ |
| 37 | ◀ PRESET/TUNING | MAN'L/AUTO FM TUNING MODE | 6CH INPUT |
| 61 | PRESET/TUNING ▶ | AUTO/MAN'L MONO | - |
| 79 | A/B/C/D/E | PTY SEEK MODE | - |
| 90 | - | PTY SEEK START | - |
| 97 | - | EON | - |
| | | RDS MODE/FREQ | - |

10. AD DATA CHECK/FAN TEST

本体パネルキー、プロテクションなどを検出している端子のA/D変換の値を、サブメニューで%表示します。信号処理は実行前の状態を維持します。

K0/K1またはK2のメニューにすると、全キーの値を検出するためキー操作はできなくなりますが、本体のVOLUMEを回すことにより、次のサブメニューに進めることができます。このとき2クリック以上回すと、ボリューム値が変化するので注意してください。

※図中の数値は参考例です。

PS (プロテクションの検出)

電源電圧プロテクションの値(正常値28~47)

※ PSは正常値を外れるとプロテクションが働き、電源オフされます。

K0/K1 (本体パネルキー)

K2 (本体パネルキー)

キーのA/Dは基準値から外れると、正常な動きをしません。Table 1をご覧になり、各キーの分圧抵抗の定数、ハンダ不良等の確認をしてください。

IMP SW/POWER LIMIT (Impedance/power limiter detection)

IMP: 8 or 4 ohm impedance switch setting

PL: Power limiter detection value

The voltage value of pin No. 95 of IC301 is displayed, using 5V/256 as standard.

When the power is turned on, the impedance of the speaker being connected is automatically detected, using the input voltage value of pin No. 95 of IC301.

| | | |
|----------------------|-----------|------------|
| Input voltage value | 0 - 460mV | 461mV - 5V |
| Impedance of speaker | 4 ohms | 8 ohms |

The port output is controlled by using the input voltage value of pin No. 95 of IC301.

When higher than VthH, the port output is changed from L to H.

When lower than VthL, the port output is changed from H to L.

| Impedance | PORT | VthL | VthH |
|-----------|-------|-------|-------|
| 8/6 ohms | No.10 | 2.85V | 3.30V |
| 4 ohms | No.11 | 1.88V | 2.38V |

IMP:8 PL:009

THM/FAN OUT (temperature detection/fan drive level)

THM: 500% display of the voltage based on the temperature detected value. Reference voltage : 5V (Normal value: U, C models 30 to 173, Others models 30 to 163)

Fan: Current fan drive level on the left and the past fan drive history on the right.

(Not applicable to these models.)

THM:086Fan: _/_

IMP SW/POWER LIMIT (インピーダンス/パワーリミッターの検出)

IMP: インピーダンスSW検出の値

PL: パワーリミッター検出の値

IC301 95ピンの電圧値を5V/256を基準にして表示します。

IC301 95ピンの入力電圧値により、ポート出力を制御します。

VthHを越えた場合、ポート出力をLからHにします。

VthLを下回った場合、ポート出力をHからLにします。

| PORT | VthL | VthH |
|-------|-------|-------|
| No.10 | 2.50V | 2.95V |

11. IF STATUS (Input function status)

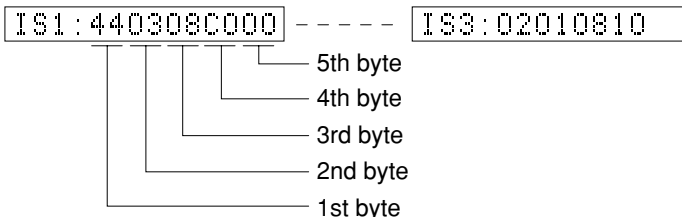
Using the sub-menu, the status data is displayed one after another in the hexadecimal notation.

During signal processing, the status before execution of this menu is maintained.

* Numeric values in the figure example are for reference.

IS1-3 (Internal status):

Indicates the status information of the microprocessor.



<1st byte> Digital input/output setting value
 Upper 4 bits: REC OUT selected /
 lower 4 bits: INPUT selected

11. IF STATUS

サブメニュー操作により、以下のステータス情報を順次16進数で表示します。信号処理は、本メニュー実行前の状態を維持します。

※図中の数値は参考例です。

IS 1-3 (内部ステータス):

マイコンのステータス情報を表示します。

<第1バイト> デジタル入出力設定値
 上位4bit REC OUT選択 /
 下位4bit INPUT選択

| Value | Choice | Preset name |
|-------|--------|-------------|
| 0 | NONE | |
| 1 | OPTA | V-AUX |
| 2 | OPTB | MD/CD-R |
| 3 | OPTC | DVD |
| 4 | OPTD | D-TV/CBL |
| 8 | COAXA | CD |

<2nd byte> Fs information of reproduction signal

<第2バイト> 再生信号のFs情報

| Display | 00 | 01 | 02 | 03 | 04 | 05 | 06 | 0A | 0B | 0C | 0D |
|----------|--------|----|------|----|----|------|----|-------------|-------------|--------------|-------------|
| Fs (kHz) | Analog | 32 | 44.1 | 48 | 64 | 88.2 | 96 | Unknown NRM | Unknown DBL | Unknown QUAD | Not defined |

<3rd byte> Audio code mode information of reproduction signal

<第3バイト> 再生信号のオーディオコードモード情報

| Display | 00 | 01 | 02 | 03 | 04 | 05 | 06 | 07 | 08 | 09 | 0A | 0B | 0C | 0D |
|------------|------------|-----|-----|-----|-----|-----|-----|-----|-----|-----|-----|----------|-----------|---------|
| Audio Code | MULTI MONO | 1+1 | 1/0 | 2/0 | 3/0 | 2/1 | 3/1 | 2/2 | 3/2 | 2/3 | 3/3 | OVER 6.1 | MULTI PCE | Unknown |

<4th byte> Format information of reproduction signal

<第4バイト> 再生信号のフォーマット情報

*1: Analog processing used for digital reproduction is not possible because of a commercial bit or 4-ch audio reason.

*1: 業務用ビットや4chオーディオなどの理由で、デジタル再生できずアナログ処理されます。

| Display | Signal format |
|---------|------------------------|
| 00 | Analog (Unlock) |
| 01 | Incorrect digital (*1) |
| 10 | PCM Audio |
| 20 | Digital Data |
| 21 | IEC1937 Data |
| 22 | None PCM |
| 23 | Unknown |
| 50 | dts |
| 51 | Red dts |
| 54 | dts-ES MATRIX |
| 58 | dts-ES DISCRETE |
| 5C | dts-ES (Both flag) |
| 60 | AAC |
| C0 | Dolby Digital |
| C1 | D.D. Karaoke |
| C4 | D.D.6.1 (D.D.EX) |

<5th byte> Signal processing status information
 *2: With digital signals other than 32kHz, 44.1kHz and 48kHz, through processing method is used for reproducible signals.

<第5バイト>信号処理ステータス情報
 *2: 32kHz、44.1kHz、48kHz以外のデジタル信号の場合、再生可能な信号についてはスルー処理されます。

| | | | |
|------|-------------------|------|-----------------------|
| bit7 | MUTE request | bit3 | - |
| bit6 | Red dts flashing | bit2 | Through & bypass (*2) |
| bit5 | 6.1/ES processing | bit1 | - |
| bit4 | FULL MUTE (ON: 1) | bit0 | dts analog mute |

CS1-5: Indicates channel status information of the input signal (IEC60958).

CS 1-5: 入力信号のIEC60958チャンネルステータス情報を表示します。

CS1:0299000200 ----- CS5:00000000

BY1-4: Indicates information of the bit stream included in the DOLBY DIGITAL signal.

BY1-4: DOLBY DIGITAL信号に含まれるビットストリームインフォメーション情報を表示します。

BY1:1E40E1301B ----- BY4:01FFFFFF

BC1-5: Indicates information of the bit stream included in the dts signal.

BC1-5: dts信号に含まれるビットストリームインフォメーション情報を表示します。

BC1:000070FFFF ----- BC5:C4

YS1-3: Indicates device status information of YSS938 (IC600).

YS1-3: YSS938 (IC600)のデバイスステータス情報を表示します

* The numeric value in the figure is an example for reference.

※ 図中数値は参考例です。

YS1:FEO2004F97

YS2:0101418000

YS3:1A41803D

| Byte No. | Function |
|----------|--------------------|
| 1 | YSS MUTE Reg |
| 2 | YSS MODE Reg |
| 3 | YSS IPORT BIT 7-0 |
| 4 | YSS IPORT BIT 14-8 |
| 5 | YSS OPORT |

| Byte No. | Function |
|----------|----------------------|
| 1 | IEC 1937 Preamble Pc |
| 2 | Data Stream Reg |
| 3 | Status Reg |
| 4 | YSS ZERO Reg |
| 5 | MIREG |

| Byte No. | Function |
|----------|--------------|
| 1 | DIR Status |
| 2 | DIR fs |
| 3 | DIR fs count |
| 4 | YSS ZEROBF |

CS: CS49329 Unsolicited Messages (AUTODETECT_RESPONSE)

CS: CS49329 Unsolicited Messages (AUTODETECT_RESPONSE)

CS :000001

MTT: Mute Trigger

MTT: Mute Trigger

MTT:0020000007

| Byte No. | Function |
|----------|--------------------------------------|
| 1 | Mute condition |
| 2 | Factor of the last mute |
| 3 | Error count of YSS938-FSCNT |
| 4 | Mute count by YSS938-FSCNT |
| 5 | Error factor of down load of CS49329 |

RX-V530/RX-V530RDS/HTR-5550/HTR-5550RDS/DSP-AX530
 RX-V430/RX-V430RDS/HTR-5540/HTR-5540RDS/DSP-AX430

12. DSP RAM CHECK

This menu is used to self-diagnose whether or not the bus connection for the YSS938 and the external RAM is made properly.

During signal processing, the status before execution of this menu is maintained.

The address bus and the data bus are checked and the connection condition is displayed.

When no error is detected, "NoEr" appears on display.

YSS938 Bus Check

YSS BUS:NoEr

| Display | Description |
|---------|--------------------------------|
| WAIT | Bus is being checked. |
| NoEr | No error detected. |
| DATA | Data bus shorted or open. |
| RSCS | /RAS or /CAS shorted, or open. |
| ADDR | Address bus shorted or open. |

PLD/SRAM BUS CHECK

CS BUS:NoEr

| Display | Description |
|---------|--|
| WAIT | Bus is being checked. |
| NoEr | No error detected. |
| DATA | Data bus shorted or open. (XX: 00-07) |
| ADDR | Address bus shorted or open. (XX: 00-0E) |

13. SOFT SW

This menu is used to switch the function settings on P.C.B. through the software so as to activate the product.

The protection function follows the P.C.B. settings. When connected to AC or in the maker preset state, the unit is initialized to the P.C. B. setting. Display of each function after initialization varies depending on settings on P.C.B. The operation mode can be changed by selecting the sub-menu and then using the EFFECT key. With SOF selected for the SW mode, the settings become effective.

SW MODE: PCB or SOFT can be selected.

13. SW :PCB

MODEL SETTING: V430, V530, AX630, V630, V730 or DVX can be selected.

13. MODEL:V530

TUNER DESTINATION: J, UC, ALG or R can be selected.

13. DEST :UC

12. DSP RAM CHECK

YSS938と外付けRAMとのバス接続の正否を自己診断します。

信号処理は、このメニューを実行する前の状態を維持します。

アドレスバス、データバスのチェックを行い、接続正否を表示します。

エラーが検出されなかった場合は、“NoEr”と表示されません。

YSS938 BUS CHECK

PLD/SRAM BUS CHECK

13. SOFT SW

P.C.B.上の機能設定をソフト的に切り替えて、製品を動作させる機能です。

プロテクション機能は、P.C.B.の設定に従います。AC接続またはメーカープリセットで、P.C.B.の設定に初期化されます。初期化後の各機能の表示は、P.C.B.上の設定によります。操作は、サブメニューを選んだ後、EFFECTキーで切り替えます。SWモードをSOFTにすると、設定が有効になります。

SW MODE : PCBまたはSOFTを選択できます。

MODEL SETTING : V430、V530、AX630、V630、V730、DVXのいずれかを選択できます。

TUNER DESTINATION : J、UC、ALG、Rのいずれかを選択できます。

TUNER: NOT or EXIST can be selected.

TUNER : NOTまたはEXISTを選択できます。

13. TUNER:EXIST

RDS: NOT or EXIST can be selected.

RDS : NOTまたはEXISTを選択できます。

13. RDS :NOT

VIDEO FORMAT: NTSC or PAL can be selected.
 (Not applicable to these models.)

VIDEO FORMAT : NTSCまたはPALを選択できます。
 (このモデルには適用されません。)

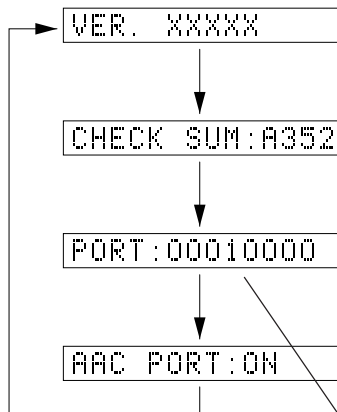
13. VIDEO:NTSC

14. MICROPROCESSOR INFORMATION

The version, checksum and the port specified by the microprocessor are displayed. The signal is processed using EFFECT OFF. The checksum is obtained by adding the data at every 8 bits for each program area and expressing the result as a 4-figure hexadecimal data.

14. マイコン情報

サブメニューは4つあります。プログラムのバージョン、チェックサム、マイコンの指定ポートを表示します。信号はエフェクトOFFです。チェックサムは、プログラムエリア別にデータを8ビットごとに加算していき、4桁の16進データで現したものです。



Version / バージョン情報

Release 1 digit / Main version 2 digit / DSP version 2 digit

Checksum / チェックサム表示

A: All area

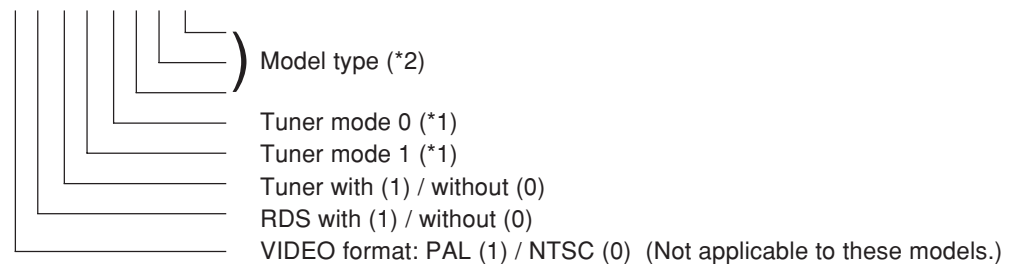
Check of port setting for judging microprocessor function

マイコンの機能判定用ポート設定確認

Display of AAC function detection port state

AAC機能検出ポート状態表示

“PORT:0 0 0 0 0 0 0”
 bit 7 6 5 4 3 2 1 0



*1 (Tuner mode)

| Tuner mode 1 | Tuner mode 0 | Tuner frequency |
|--------------|--------------|---|
| 0 | 0 | AM: 531-1611kHz/9kHz FM: 76.0-90.0MHz/100kHz |
| 1 | 0 | AM: 531-1611kHz/9kHz FM: 87.5-108.0MHz/50kHz |
| 0 | 1 | AM: 530-1710kHz/10kHz FM: 87.5-107.9MHz/200kHz |
| 1 | 1 | R destination, Port6: LOW AM: 530-1710kHz/10kHz FM: 87.5-108.0MHz/100kHz HIGH AM: 531-1611kHz/9kHz FM: 87.5-108.0MHz/50kHz |

*2 (Model type)

| bit 2 | bit 1 | bit 0 | Model |
|-------|-------|-------|-----------|
| 0 | 0 | 0 | RX-V430 |
| 0 | 0 | 1 | RX-V530 |
| 0 | 1 | 0 | DSP-AX630 |
| 0 | 1 | 1 | RX-V630 |
| 1 | 0 | 0 | RX-V730 |

RX-V530/RX-V530RDS/HTR-5550/HTR-5550RDS/DSP-AX530
 RX-V430/RX-V430RDS/HTR-5540/HTR-5540RDS/DSP-AX430

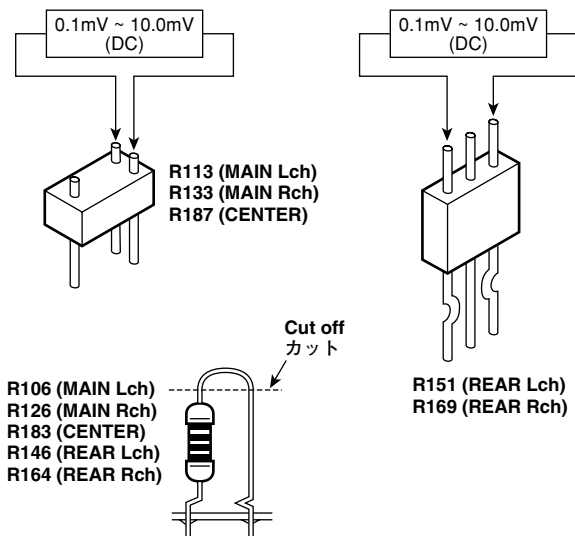
■ AMP ADJUSTMENT / アンプ部調整

Confirmation of Idling Current of Main (1) P. C. B.

- Right after power is turned on, confirm that the voltage across the terminals of R113 (Main Lch), R133 (Main Rch), R187 (Center), R151 (Rear Lch), R169 (Rear Rch) are between 0.1mV and 10.0mV.
- If it exceeds 10.0mV, open (cutoff) R106 (Main Lch), R126 (Main Rch), R183 (Center), R146 (Rear Lch), R164 (Rear Rch) and reconfirm the voltage.
- Confirm that the voltage is 0.2mV ~ 15.0mV after 60 minutes.

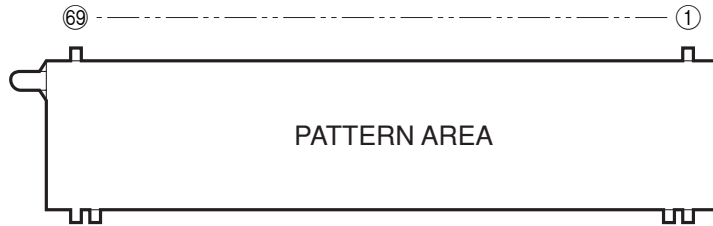
メイン(1)基板のアイドル電流の確認

- 電源投入直後、R113 (MAIN Lch)、R133 (MAIN Rch)、R187 (CENTER)、R151 (REAR Lch)、R169 (REAR Rch)の端子間電圧を測定し、0.1mVから10.0mVの間であることを確認してください。
- 電圧が10mVを超えている場合は、R106 (MAIN Lch)、R126 (MAIN Rch)、R183 (CENTER)、R146 (REAR Lch)、R164 (REAR Rch)をカットし、電圧を再確認してください。
- 60分後、電圧が0.2mV~15.0mVであることを確認してください。



■ DISPLAY DATA

● V701 : HNA-16MM37 (V8300400)



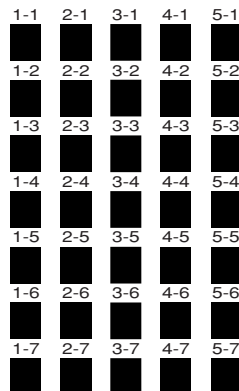
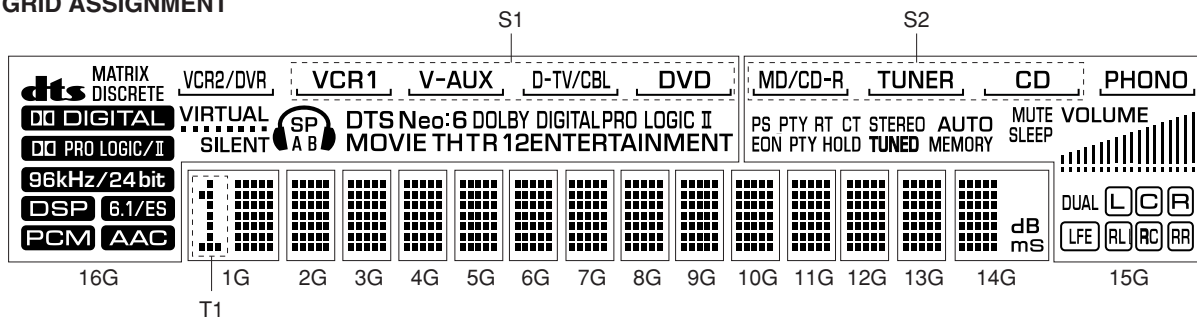
● PIN CONNECTION

| | | | | | | | | | | | | | | | | | | | | | | | | | | | | | | | | | | | |
|------------|----|----|----|----|----|----|----|----|----|----|----|----|----|-----|-----|-----|-----|-----|-----|-----|-----|-----|-----|-----|-----|-----|-----|-----|-----|-----|-----|-----|-----|-----|-----|
| Pin No. | 69 | 68 | 67 | 66 | 65 | 64 | 63 | 62 | 61 | 60 | 59 | 58 | 57 | 56 | 55 | 54 | 53 | 52 | 51 | 50 | 49 | 48 | 47 | 46 | 45 | 44 | 43 | 42 | 41 | 40 | 39 | 38 | 37 | 36 | 35 |
| Connection | F2 | F2 | NP | NP | P1 | P2 | P3 | P4 | P5 | P6 | P7 | P8 | P9 | P10 | P11 | P12 | P13 | P14 | P15 | P16 | P17 | P18 | P19 | P20 | P21 | P22 | P23 | P24 | P25 | P26 | P27 | P28 | P29 | P30 | P31 |

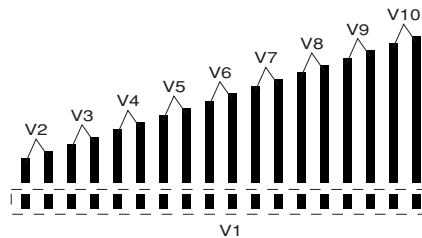
| | | | | | | | | | | | | | | | | | | | | | | | | | | | | | | | | | | |
|------------|-----|-----|-----|-----|-----|-----|----|----|----|----|----|----|----|----|-----|-----|-----|-----|-----|-----|-----|----|----|----|----|----|----|----|----|----|----|----|----|----|
| Pin No. | 34 | 33 | 32 | 31 | 30 | 29 | 28 | 27 | 26 | 25 | 24 | 23 | 22 | 21 | 20 | 19 | 18 | 17 | 16 | 15 | 14 | 13 | 12 | 11 | 10 | 9 | 8 | 7 | 6 | 5 | 4 | 3 | 2 | 1 |
| Connection | P32 | P33 | P34 | P35 | P36 | P37 | NX | NX | NX | NX | NX | NX | NX | NX | G16 | G15 | G14 | G13 | G12 | G11 | G10 | G9 | G8 | G7 | G6 | G5 | G4 | G3 | G2 | G1 | NP | NP | F1 | F1 |

Note : 1) F1, F2 Filament 2) NP No pin 3) G1 ~ 16 Grid 4) NX No extended 5) P1 ~ 37 Anode

● GRID ASSIGNMENT



(1G~14G)



(15G)

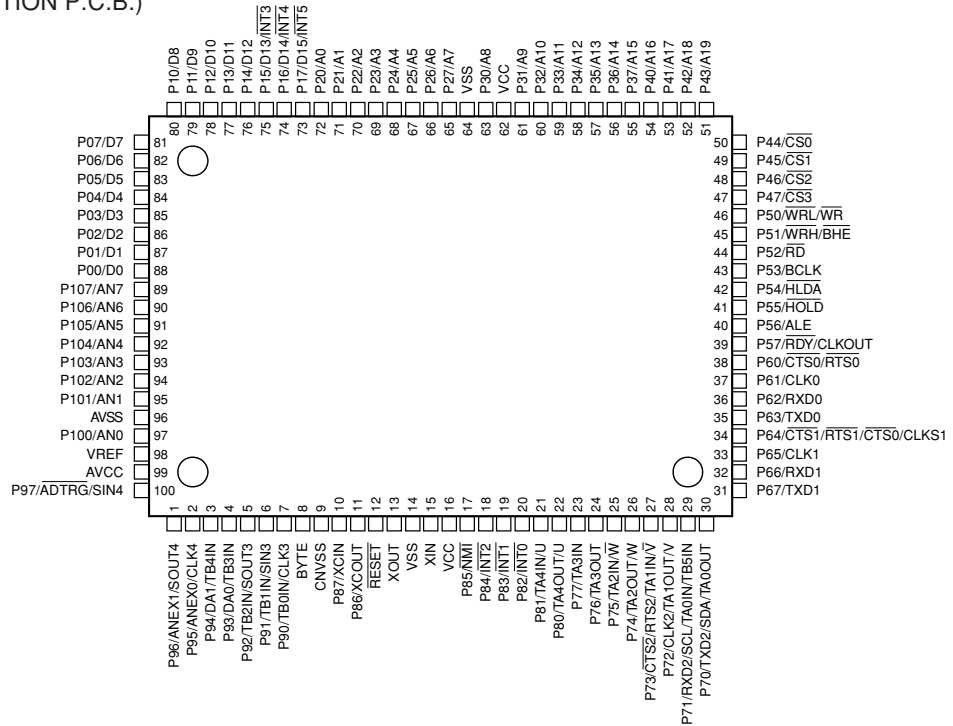
● ANODE CONNECTION

| | 16G | 15G | 14G | 13G~2G | 1G |
|-----|---------------|-----------|-----|--------|-----|
| P1 | | S2 | 1-1 | 1-1 | 1-1 |
| P2 | MATRIX | PHONO | 2-1 | 2-1 | 2-1 |
| P3 | DISCRETE | (MD/CD-R) | 3-1 | 3-1 | 3-1 |
| P4 | | (TUNER) | 4-1 | 4-1 | 4-1 |
| P5 | | (CD) | 5-1 | 5-1 | 5-1 |
| P6 | | (PHONO) | 1-2 | 1-2 | 1-2 |
| P7 | | PS | 2-2 | 2-2 | 2-2 |
| P8 | | PTY | 3-2 | 3-2 | 3-2 |
| P9 | | RT | 4-2 | 4-2 | 4-2 |
| P10 | | CT | 5-2 | 5-2 | 5-2 |
| P11 | VIRTUAL | EON | 1-3 | 1-3 | 1-3 |
| P12 | SILENT | PTY HOLD | 2-3 | 2-3 | 2-3 |
| P13 | | STEREO | 3-3 | 3-3 | 3-3 |
| P14 | SP | AUTO | 4-3 | 4-3 | 4-3 |
| P15 | A | TUNED | 5-3 | 5-3 | 5-3 |
| P16 | B | MEMORY | 1-4 | 1-4 | 1-4 |
| P17 | DTS | MUTE | 2-4 | 2-4 | 2-4 |
| P18 | Neo:6 | SLEEP | 3-4 | 3-4 | 3-4 |
| P19 | DOLBY | VOLUME | 4-4 | 4-4 | 4-4 |
| P20 | DIGITAL | V1 | 5-4 | 5-4 | 5-4 |
| P21 | PRO LOGIC | V2 | 1-5 | 1-5 | 1-5 |
| P22 | II | V3 | 2-5 | 2-5 | 2-5 |
| P23 | MOVIE THTR | V4 | 3-5 | 3-5 | 3-5 |
| P24 | 1 (2) | V5 | 4-5 | 4-5 | 4-5 |
| P25 | 2 | V6 | 5-5 | 5-5 | 5-5 |
| P26 | ENTERTAINMENT | V7 | 1-6 | 1-6 | 1-6 |
| P27 | S1 | V8 | 2-6 | 2-6 | 2-6 |
| P28 | (VCR2/DVR) | V9 | 3-6 | 3-6 | 3-6 |
| P29 | (VCR) 1 | V10 | 4-6 | 4-6 | 4-6 |
| P30 | (VCR2/DVR) | DUAL | 5-6 | 5-6 | 5-6 |
| P31 | (VCR1) | | 1-7 | 1-7 | 1-7 |
| P32 | (V-AUX) | | 2-7 | 2-7 | 2-7 |
| P33 | (D-TV/CBL) | | 3-7 | 3-7 | 3-7 |
| P34 | (DVD) | | 4-7 | 4-7 | 4-7 |
| P35 | - | | 5-7 | 5-7 | 5-7 |
| P36 | - | | dB | - | T1 |
| P37 | - | | mS | - | - |

RX-V530/RX-V530RDS/HTR-5550/HTR-5550RDS/DSP-AX530
 RX-V430/RX-V430RDS/HTR-5540/HTR-5540RDS/DSP-AX430

IC DATA

IC301: M30624FGAFP (FUNCTION P.C.B.)
 16bit μ -COM (Main CPU)

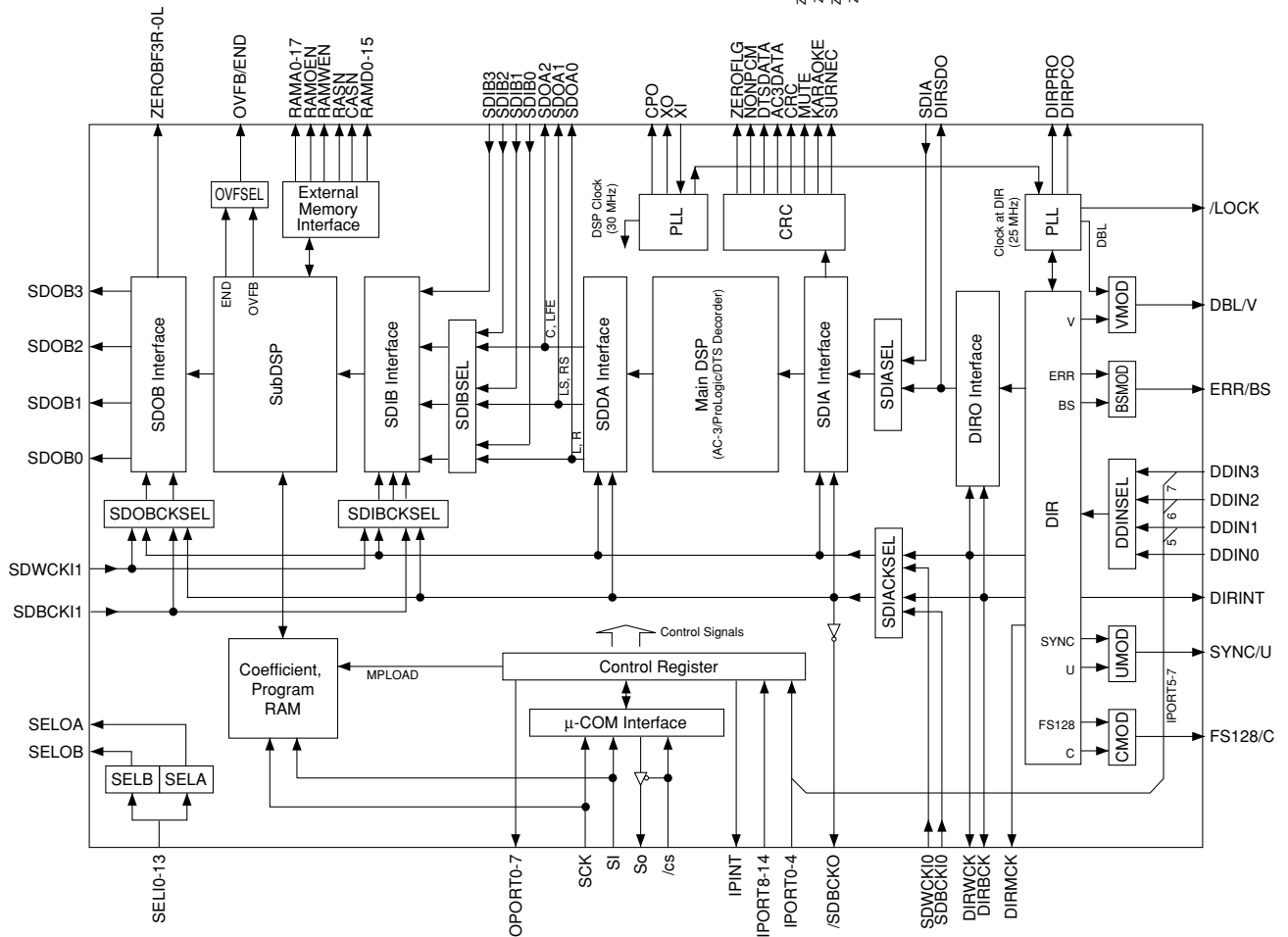
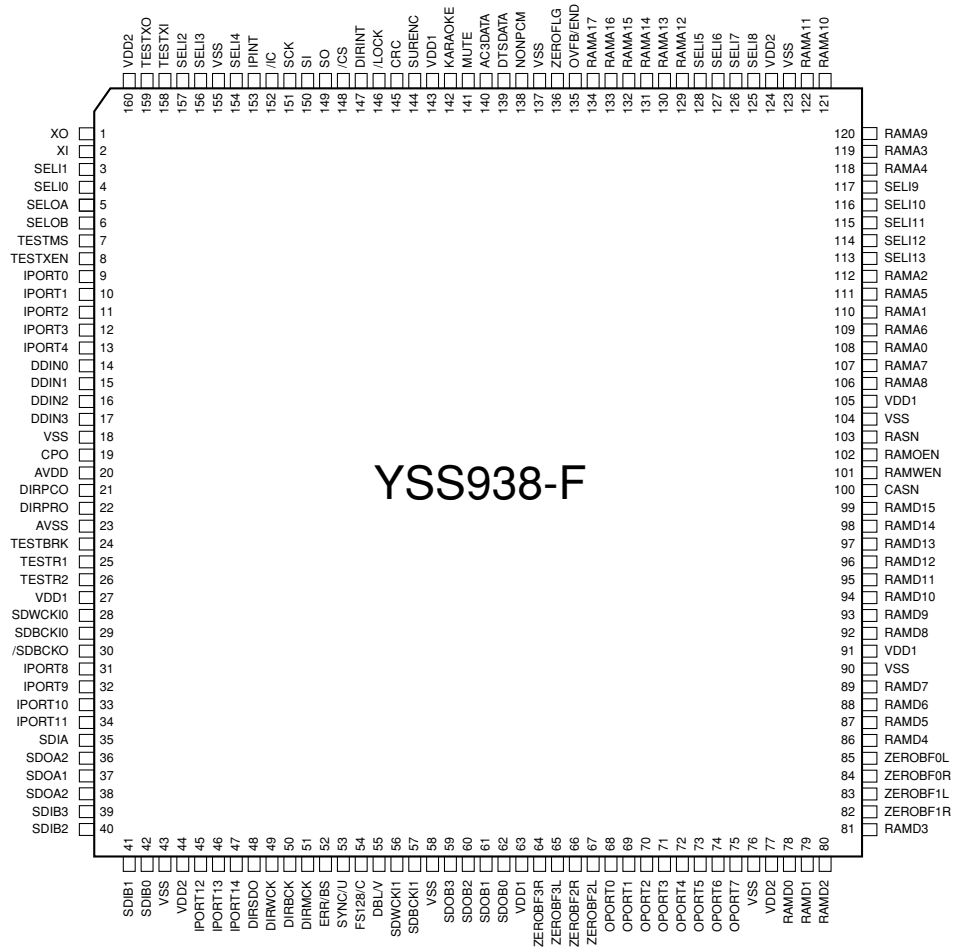


| No. | Port No. | Function name | I/O | Detail of function |
|-----|----------|---------------|----------|---|
| 1 | SOUT4 | DTEV | SO | Electronic Volume IC DATA |
| 2 | CLK4 | CLEV | SCK | Electronic Volume IC CLOCK |
| 3 | DA1 | FAN | DA | Fan Control |
| 4 | P93 | PRI | I | Protection Excess Current Detect |
| 5 | SOUT3 | SDM | SO | YSS938 TxD |
| 6 | SIN3 | SDD | SI | YSS938 RxD |
| 7 | CLK3 | SCK | O | YSS938 CLOCK |
| 8 | BYTE | BYTE | VSS | Vss: when single chip mode is used |
| 9 | CNVss | CNVss | Vss/Vcc | Vss: when single chip mode is used, Vcc: when flash writing is used |
| 10 | P87 | RIMA | O | Power Limiter A |
| 11 | P86 | RIMB | O | Power Limiter B |
| 12 | RESET | RESET | I | Reset |
| 13 | Xout | Xout | OPEN | Oscillator Out |
| 14 | Vss | Vss | Vss | μ -COM Ground |
| 15 | Xin | Xin | 10MHz | Oscillator in |
| 16 | Vcc | Vcc | Vcc (BU) | μ -COM power supply, +5V |
| 17 | NMI | NMI | Vcc (BU) | Connect to Vcc because it is unused. |
| 18 | INT2 | VSY | INT | Vertical Synchronization Detect |
| 19 | INT1 | INT938 | INT | YSS938 IPINT/MUTE/DIR |
| 20 | P82 | ERY | O | Effect SP Relay Output |
| 21 | P81 | MRY | O | Main SP Relay Output |
| 22 | P80 | HPRY | SO | Headphone Relay Output |
| 23 | P77 | /HP | I (IPU) | Effect Detect |
| 24 | P76 | PRY | O | Power Relay Output |
| 25 | P75 | DMT | O | DIG FULL MUTE |
| 26 | P74 | /ICD | O | YSS938 /DA /AD /CODEC /DEM |
| 27 | P73 | CSY | O | YSS938 CE |
| 28 | CLK2 | SCK0 | O | FL Driver CLOCK |
| 29 | RXD2 | /CSINT | I (外部PU) | CS-DSP INT |
| 30 | TXD2 | SDF | O (外部PU) | FL Driver TxD |
| 31 | TXD1 | TXDF | FLASH | Flash ROM Serial Write Data Transmission |
| 32 | RXD1 | RXDF | FLASH | Flash ROM Serial Write Data Reception |
| 33 | CLK1 | CLKF | FLASH | Flash ROM Serial Clock |
| 34 | P64 | BSY | FLASH | Flash BUSY Signal Output |
| 35 | TXD0 | SDTR | SO | RDS/OSD TxD |
| 36 | RXD0 | SDRR | SI | RDS RxD |
| 37 | CLK0 | SCKR | SCK | RDS/OSD CLOCK |
| 38 | P60 | | O | EEPROM CE |
| 39 | P57 | CST | I | CS493x TxD |
| 40 | P56 | CSR | O | CS493x RxD |
| 41 | | | GND | For Flash Writing (LO) |
| 42 | P54 | CSC | O | CS493x CLOCK |
| 43 | P53 | /CSCS | O | CS493x CS |

IC301: M30624FGAFP (FUNCTION P.C.B.)
 16bit μ -COM (Main CPU)

| No. | Port No. | Function name | I/O | Detail of function |
|-----|----------|---------------|-----------|--|
| 44 | P52 | /ICCS | O | CS493x RESET |
| 45 | P51 | /CSOLD | O | DIG EXTERNAL CONTROL IC CE |
| 46 | | | I | For Flash Writing (HI) |
| 47 | P47 | CSN | O | Chip Select for DAC |
| 48 | P46 | VRB | I | Volume Rotary B |
| 49 | P45 | VRA | I | Volume Rotary A |
| 50 | P44 | /BLK | O | FL Driver Light Off (Reset) |
| 51 | P43 | SDTP | SO | PLL IC TxD |
| 52 | P42 | SDRP | SI | PLL IC RxD |
| 53 | P41 | SCKP | SCK | PLL IC CLOCK |
| 54 | P40 | CEFD | O | FL Driver CE |
| 55 | P37 | /ST | I (IPU) | Tuner Stereo |
| 56 | P36 | TMT | O | Tuner Mute |
| 57 | P35 | TUNED | I (IPU) | Tuner Tuned |
| 58 | P34 | RDSE | O/I (IPU) | RDS Enable/RDS Present/Absent |
| 59 | P33 | CEP | O | PLL IC Chip Enable |
| 60 | P32 | DEST | I (IPU) | FREQ SW (R Ver) |
| 61 | P31 | I/E | O | External/Internal Synchronization Output |
| 62 | Vcc | Vcc | Vcc (BU) | Microprocessor Power Supply, +5V |
| 63 | P30 | CES | O/I (IPU) | OSD Enable/ N/P Format |
| 64 | Vss | Vss | Vss | Microprocessor Ground |
| 65 | P27 | CMP1 | O | Component Selector 1 |
| 66 | P26 | CMP0 | O | Component Selector 0 |
| 67 | P25 | /VR2 | O | VIDEO Rec Out Selector 2 |
| 68 | P24 | /VR1 | O | VIDEO Rec Out Selector 1 |
| 69 | P23 | VIC | O | VIDEO Selector C |
| 70 | P22 | VIB | O | VIDEO Selector B |
| 71 | P21 | VIA | O | VIDEO Selector A |
| 72 | P20 | | | Open |
| 73 | INT5 | REM1 | INT | Remote Control Input |
| 74 | INT4 | PSW | INT | Standby SW Input |
| 75 | INT3 | PDET | INT | Power Down Detect INT |
| 76 | P14 | /MTMR | O | Mute Main /Rear |
| 77 | P13 | /MTCT | O | Mute Center |
| 78 | P12 | /MTSW | O | Mute LFE |
| 79 | P11 | TUN0 | I (IPU) | Tuner Destination Identify 0 |
| 80 | P10 | TUN1 | I (IPU) | Tuner Destination Identify 1 |
| 81 | P07 | CELC | O | CE for SANYO IC |
| 82 | P06 | SDT | O | Audio IC Data |
| 83 | P05 | SCK | O | Audio IC Clock |
| 84 | P04 | /SWMIX | O | LFE Mix |
| 85 | P03 | /CTMIX | O | Center Mix |
| 86 | P02 | SEEV | O | Electronic Volume IC Chip Enable |
| 87 | P01 | ICN | O | Electronic Volume Reset |
| 88 | P00 | A2GAIN | O | For A2 Gain Setting |
| 89 | AN7 | MODEL | AD | Model Identification |
| 90 | AN6 | ADKEY2 | AD | Key AD Input 2 |
| 91 | AN5 | ADKEY1 | AD | Key AD Input 1 |
| 92 | AN4 | ADKEY0 | AD | Key AD Input 0 |
| 93 | AN3 | THM | AD | Temperature Detect |
| 94 | AN2 | PRV | AD | Protection Power Supply Voltage Detect |
| 95 | AN1 | PREMT | AD | Power Limiter Detect |
| 96 | Avss | Avss | Vss | AD Ground |
| 97 | AN0 | PRD | I | Protection DC Detect |
| 98 | Vref | Vref | (+5v) | AD Reference |
| 99 | Avcc | Avcc | Vcc (BU) | AD Power Supply |
| 100 | P97 | PRD | AD | DC Protection |

IC600 : YSS938-F
 DSP



RX-V530/RX-V530RDS/HTR-5550/HTR-5550RDS/DSP-AX530
 RX-V430/RX-V430RDS/HTR-5540/HTR-5540RDS/DSP-AX430

IC600 : YSS938-F
DSP

| No. | Name | I/O | Function |
|-----|---------|-----|---|
| 1 | XO | O | Crystal oscillator connecting terminal |
| 2 | XI | I | Crystal oscillator connecting terminal (24.576MHz) |
| 3 | SEL11 | I+ | Built-in selector input 1 (AXD) |
| 4 | SEL10 | I+ | Built-in selector input 0 (GND) |
| 5 | SELOA | O+ | Built-in selector output A (ISEL) |
| 6 | SELOB | O+ | Built-in selector output B (RSEL) |
| 7 | TESTMS | I+ | Test terminal (unconnected) |
| 8 | TESTXEN | I+ | Test terminal (unconnected) |
| 9 | IPORT0 | I+ | General purpose input terminal (CXDTA) |
| 10 | IPORT1 | I+ | General purpose input terminal (CXDTB) |
| 11 | IPORT2 | I+ | General purpose input terminal |
| 12 | IPORT3 | I+ | General purpose input terminal |
| 13 | IPORT4 | I+ | General purpose input terminal |
| 14 | DDIN0 | Is | DIR: Digital audio interface data input terminal 0 (ISEL) |
| 15 | DDIN1 | Is | DIR: Digital audio interface data input terminal 1/General purpose input terminal (Pull down) |
| 16 | DDIN2 | Is | DIR: Digital audio interface data input terminal 2/General purpose input terminal (Pull down) |
| 17 | DDIN3 | Is | DIR: Digital audio interface data input terminal 3/General purpose input terminal (Pull down) |
| 18 | VSS | | Ground terminal |
| 19 | CPO | A | PLL filter connecting terminal |
| 20 | AVDD | | +3.3V power terminal (for DIR) |
| 21 | DIRPCO | A | DIR: PLL filter connecting terminal |
| 22 | DIRPRO | A | DIR: PLL filter connecting terminal |
| 23 | AVSS | | Ground terminal (for DIR) |
| 24 | TESTBRK | I+ | Test terminal (unconnected) |
| 25 | TESTR1 | I+ | PLL initialization signal input terminal for DSP (/ICD) |
| 26 | TESTR2 | I+ | Test terminal (unconnected) |
| 27 | VDD1 | | +3.3V power terminal (for terminal section) |
| 28 | SDWCKI0 | I+ | Word clock input terminal for SDIA, SDOA, SDIB, SDOB interface (Unconnected) |
| 29 | SDBCKI0 | I+ | Bit clock input terminal for SDIA, SDOA, SDIB, SDOB interface (Unconnected) |
| 30 | /SDBCK0 | O | DIRBCK or SDBCKI0 invert clock output terminal (Unconnected) |
| 31 | IPORT8 | I+ | IPINT general purpose input terminal |
| 32 | IPORT9 | I+ | IPINT general purpose input terminal |
| 33 | IPORT10 | I+ | IPINT general purpose input terminal (NONPCM) |
| 34 | IPORT11 | I+ | IPINT general purpose input terminal (NONPCM) |
| 35 | SDIA | I | AC-3/DTS bit stream (or PCM) data input terminal to Main DSP (SDIA) |
| 36 | SDOA2 | O | PCM output terminal from Main DSP (C/LFE output) (Unconnected) |
| 37 | SDOA1 | O | PCM output terminal from Main DSP (LS/RS output) (Unconnected) |
| 38 | SDOA0 | O | PCM output terminal from Main DSP (L/R output) |
| 39 | SDIB3 | I+ | PCM input terminal 3 to Sub DSP |
| 40 | SDIB2 | I+ | PCM input terminal 2 to Sub DSP |
| 41 | SDIB1 | I+ | PCM input terminal 1 to Sub DSP |
| 42 | SDIB0 | I+ | PCM input terminal 0 to Sub DSP |
| 43 | VSS | | Ground terminal |
| 44 | VDD2 | | +2.5V power terminal (for internal circuit) |
| 45 | IPORT12 | I+ | IPINT general purpose input terminal (MUTE) |
| 46 | IPORT13 | I+ | IPINT general purpose input terminal (DIRINT) |
| 47 | IPORT14 | I+ | IPINT general purpose input terminal (Unconnected) |
| 48 | DIRSDO | O | AC-3/DTS bit stream (or PCM) data output terminal from DIR |
| 49 | DIRWCK | O | DIR: Serial data word clock (fs) output terminal (WCK) |
| 50 | DIRBCK | O | DIR: Serial data bit clock (64fs) output terminal (BCK) |
| 51 | DIRMCK | O | DIR: Serial data master clock (256fs or 128fs) output terminal (MCK) |
| 52 | ERR/BS | O | DIR: Data error detect output/block start output terminal (Unconnected) |
| 53 | SYNC/U | O | DIR: Serial data synchronous timing output/user data output terminal (Unconnected) |
| 54 | FS128/C | O | DIR: Serial data master clock 128fs output/channel status output terminal (Unconnected) |
| 55 | DBL/V | O | DIR: Double rate clock output/validity flag output terminal (DBL) |

IC600 : YSS938-F
DSP

| No. | Name | I/O | Function |
|-----|----------|------|--|
| 56 | SDWCKI1 | I+ | Word clock input terminal for SDIB, SDOB interface (Unconnected) |
| 57 | SDBCKI1 | I+ | Bit clock input terminal for SDIB, SDOB interface (Unconnected) |
| 58 | VSS | | Ground terminal |
| 59 | SDOB3 | O | PCM output terminal from Sub DSP |
| 60 | SDOB2 | O | PCM output terminal from Sub DSP |
| 61 | SDOB1 | O | PCM output terminal from Sub DSP |
| 62 | SDOB0 | O | PCM output terminal from Sub DSP |
| 63 | VDD1 | | +3.3V power terminal (for terminal section) |
| 64 | ZEROBF3R | O+ | SDOB3 Rch zero flag output terminal (ZF3R) |
| 65 | ZEROBF3L | O+ | SDOB3 Lch zero flag output terminal (ZF3L) |
| 66 | ZEROBF2R | O+ | SDOB2 Rch zero flag output terminal (ZF2R) |
| 67 | ZEROBF2L | O+ | SDOB2 Lch zero flag output terminal (ZF2L) |
| 68 | OPORT0 | O | General purpose output terminal (/RINH1) |
| 69 | OPORT1 | O | General purpose output terminal (/RINH2) |
| 70 | OPORT2 | O | General purpose output terminal (/ICCDC) |
| 71 | OPORT3 | O | General purpose output terminal (DFS) |
| 72 | OPORT4 | O | General purpose output terminal (ZSEL0) |
| 73 | OPORT5 | O | General purpose output terminal (ZSEL1) |
| 74 | OPORT6 | O | General purpose output terminal (/ICCS) |
| 75 | OPORT7 | O | General purpose output terminal |
| 76 | VSS | | Ground terminal |
| 77 | VDD2 | | +2.5V power terminal (for internal circuit) |
| 78 | RAMD0 | I+/O | Sub DSP: External memory data terminal 0 |
| 79 | RAMD1 | I+/O | Sub DSP: External memory data terminal 1 |
| 80 | RAMD2 | I+/O | Sub DSP: External memory data terminal 2 |
| 81 | RAMD3 | I+/O | Sub DSP: External memory data terminal 3 |
| 82 | ZEROBF1R | O+ | SDOB1 Rch zero flag output terminal (ZF1R) |
| 83 | ZEROBF1L | O+ | SDOB1 Lch zero flag output terminal (ZF1L) |
| 84 | ZEROBF0R | O+ | SDOB0 Rch zero flag output terminal (ZF0R) |
| 85 | ZEROBF0L | O+ | SDOB0 Lch zero flag output terminal (ZF0L) |
| 86 | RAMD4 | I+/O | Sub DSP: External memory data terminal 4 |
| 87 | RAMD5 | I+/O | Sub DSP: External memory data terminal 5 |
| 88 | RAMD6 | I+/O | Sub DSP: External memory data terminal 6 |
| 89 | RAMD7 | I+/O | Sub DSP: External memory data terminal 7 |
| 90 | VSS | | Ground terminal |
| 91 | VDD1 | | +3.3V power terminal (for terminal section) |
| 92 | RAMD8 | I+/O | Sub DSP: External memory data terminal 8 |
| 93 | RAMD9 | I+/O | Sub DSP: External memory data terminal 9 |
| 94 | RAMD10 | I+/O | Sub DSP: External memory data terminal 10 |
| 95 | RAMD11 | I+/O | Sub DSP: External memory data terminal 11 |
| 96 | RAMD12 | I+/O | Sub DSP: External memory data terminal 12 |
| 97 | RAMD13 | I+/O | Sub DSP: External memory data terminal 13 |
| 98 | RAMD14 | I+/O | Sub DSP: External memory data terminal 14 |
| 99 | RAMD15 | I+/O | Sub DSP: External memory data terminal 15 |
| 100 | CASN | O | Sub DSP: Column address strobe output terminal for external DRAM |
| 101 | RAMWEN | O | Sub DSP: Write enable terminal for external memory |
| 102 | RAMOEN | O | Sub DSP: Output enable terminal for external memory |
| 103 | RASN | O | Sub DSP: Low address strobe output terminal for external DRAM |
| 104 | VSS | | Ground terminal |
| 105 | VDD1 | | +3.3V power terminal (for terminal section) |
| 106 | RAMA8 | O | Sub DSP: External memory address terminal 8 |
| 107 | RAMA7 | O | Sub DSP: External memory address terminal 7 |
| 108 | RAMA0 | O | Sub DSP: External memory address terminal 0 |
| 109 | RAMA6 | O | Sub DSP: External memory address terminal 6 |
| 110 | RAMA1 | O | Sub DSP: External memory address terminal 1 |

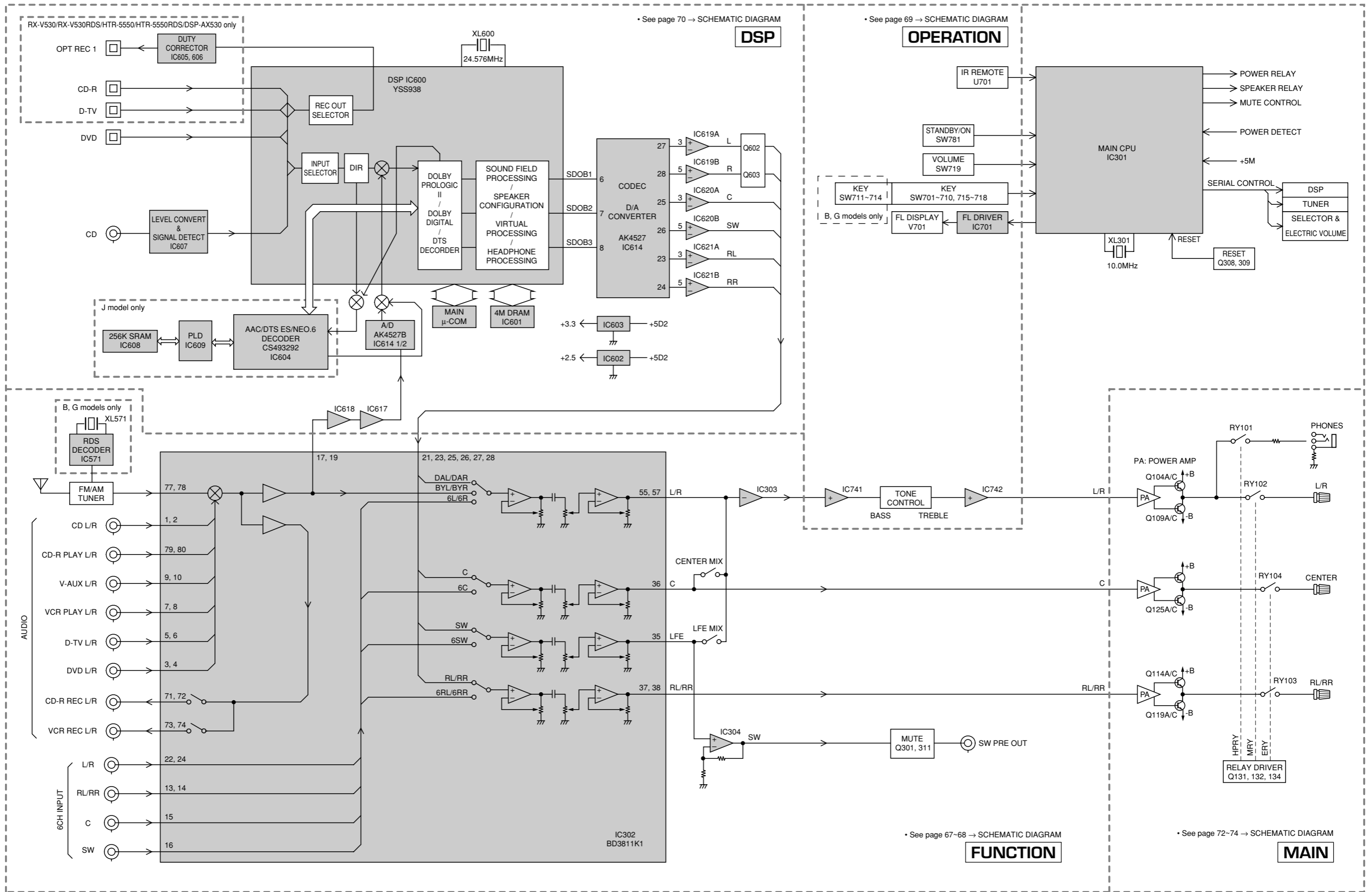
IC600 : YSS938-F
 DSP

| No. | Name | I/O | Function |
|-----|----------|-------|---|
| 111 | RAMA5 | O | Sub DSP: External memory address terminal 5 |
| 112 | RAMA2 | O | Sub DSP: External memory address terminal 2 |
| 113 | SELI13 | I+ | Built-in selector input 13 (Unconnected) |
| 114 | SELI12 | I+ | Built-in selector input 12 |
| 115 | SELI11 | I+ | Built-in selector input 11 (Unconnected) |
| 116 | SELI10 | I+ | Built-in selector input 10 (Unconnected) |
| 117 | SELI9 | I+ | Built-in selector input 9 |
| 118 | RAMA4 | O | Sub DSP: External memory address terminal 4 |
| 119 | RAMA3 | O | Sub DSP: External memory address terminal 3 |
| 120 | RAMA9 | O | Sub DSP: External memory address terminal 9 (Unconnected) |
| 121 | RAMA10 | O | Sub DSP: External memory address terminal 10 (Unconnected) |
| 122 | RAMA11 | O | Sub DSP: External memory address terminal 11 (Unconnected) |
| 123 | VSS | | Ground terminal |
| 124 | VDD2 | | +2.5V power terminal (for internal circuit) |
| 125 | SELI8 | I+ | Built-in selector input 8 (CXA) |
| 126 | SELI7 | I+ | Built-in selector input 7 (GND) |
| 127 | SELI6 | I+ | Built-in selector input 6 (OPTF) |
| 128 | SELI5 | I+ | Built-in selector input 5 (Unconnected) |
| 129 | RAMA12 | O | Sub DSP: External memory address terminal 12 (Unconnected) |
| 130 | RAMA13 | O | Sub DSP: External memory address terminal 13 (Unconnected) |
| 131 | RAMA14 | O | Sub DSP: External memory address terminal 14 (Unconnected) |
| 132 | RAMA15 | O | Sub DSP: External memory address terminal 15 (Unconnected) |
| 133 | RAMA16 | O | Sub DSP: External memory address terminal 16 (Unconnected) |
| 134 | RAMA17 | O | Sub DSP: External memory address terminal 17 (Unconnected) |
| 135 | OVFB/END | O | Sub DSP: Overflow/program end detect terminal (Unconnected) |
| 136 | ZEROF LG | O | Main DSP: Zero flag output terminal (Unconnected) |
| 137 | VSS | | Ground terminal |
| 138 | NONPCM | O | Main DSP: Non-PCM data detect terminal |
| 139 | DTSDATA | O | Main DSP: DTS data detect terminal (Unconnected) |
| 140 | AC3DATA | O | Main DSP: AC3 data detect terminal (Unconnected) |
| 141 | MUTE | O | Main DSP: Auto mute detect terminal |
| 142 | KARAOKE | O | Main DSP: AC3 KARAOKE data detect terminal (Unconnected) |
| 143 | VDD1 | +3.3V | power terminal (for terminal section) |
| 144 | SURENC | O | Main DSP: AC-3 2/0 mode Dolby surround encode input detect terminal (Unconnected) |
| 145 | CRC | O | Main DSP: AC3 CRC error detect terminal (Unconnected) |
| 146 | /LOCK | O | DIR: PLL lock detect terminal (Unconnected) |
| 147 | DIRINT | O | DIR: Interrupt output terminal |
| 148 | /CS | Is | Microprocessor interface chip select input terminal (CSY) |
| 149 | SO | Ot | Microprocessor interface data output terminal |
| 150 | SI | Is | Microprocessor interface data input terminal (SDM) |
| 151 | SCK | Is | Microprocessor interface clock input terminal (SCKY) |
| 152 | /IC | Is | Initial clear input terminal (/ICD) |
| 153 | IPINT | O+ | Interrupt output terminal by IPORT 8-14 |
| 154 | SELI4 | I+ | Built-in selector input 4 (OPTD) |
| 155 | VSS | | Ground terminal |
| 156 | SELI3 | I+ | Built-in selector input 3 (OPTC) |
| 157 | SELI2 | I+ | Built-in selector input 2 (OPTB) |
| 158 | TESTXI | I | Test terminal (should be always connected to VSS) |
| 159 | TESTXO | O | Test terminal (Unconnected) |
| 160 | VDD2 | +2.5V | power terminal (for internal circuit) |

Is: Schmidt trigger input terminal
 I+: Input terminal with pull-up resistor
 O: Digital output terminal
 Ot: 3-state digital output terminal
 A: Analog terminal

RX-V530/RX-V530RDS/HTR-5550/HTR-5550RDS/DSP-AX530
 RX-V430/RX-V430RDS/HTR-5540/HTR-5540RDS/DSP-AX430

1 ■ BLOCK DIAGRAM (1/2)



2

3

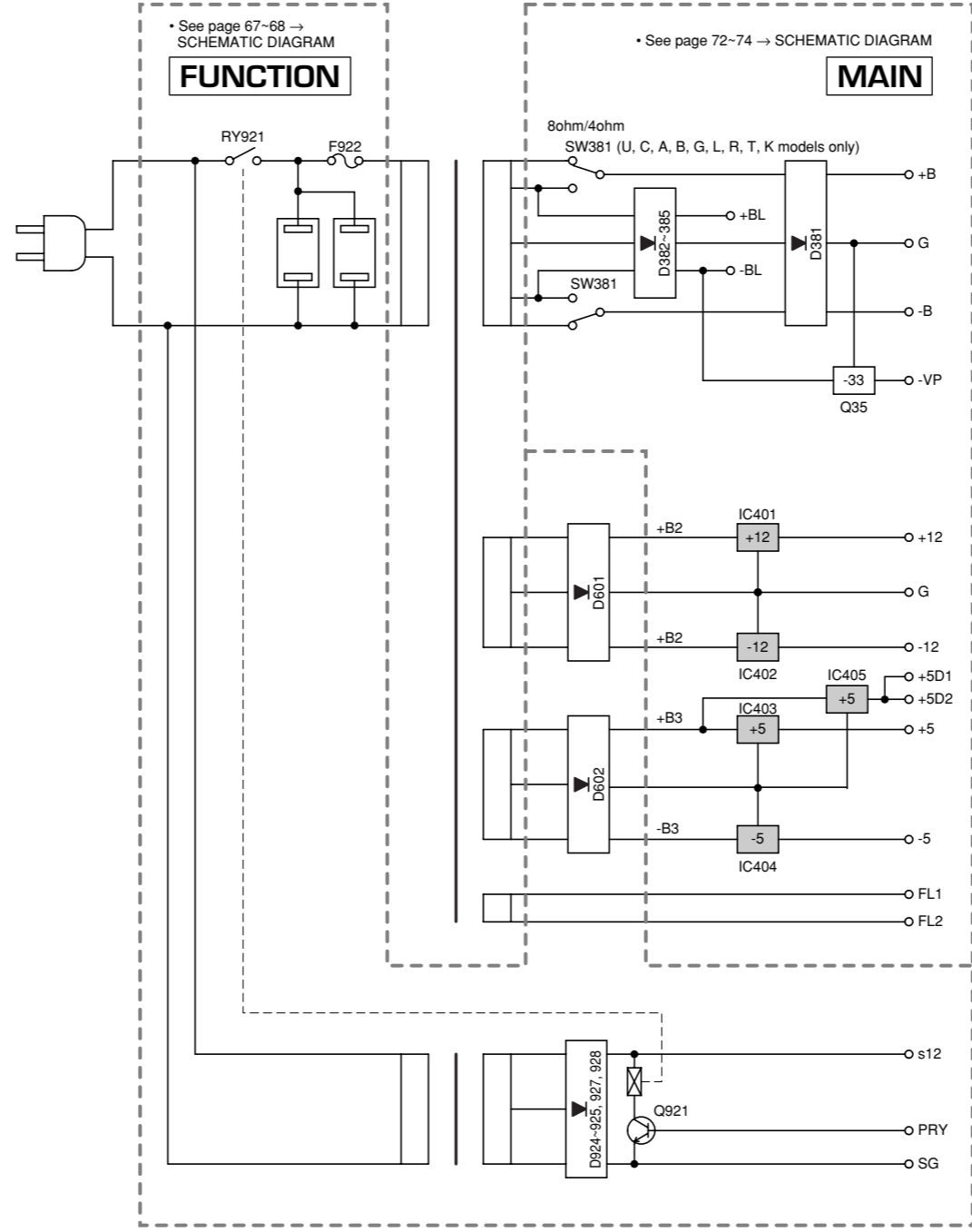
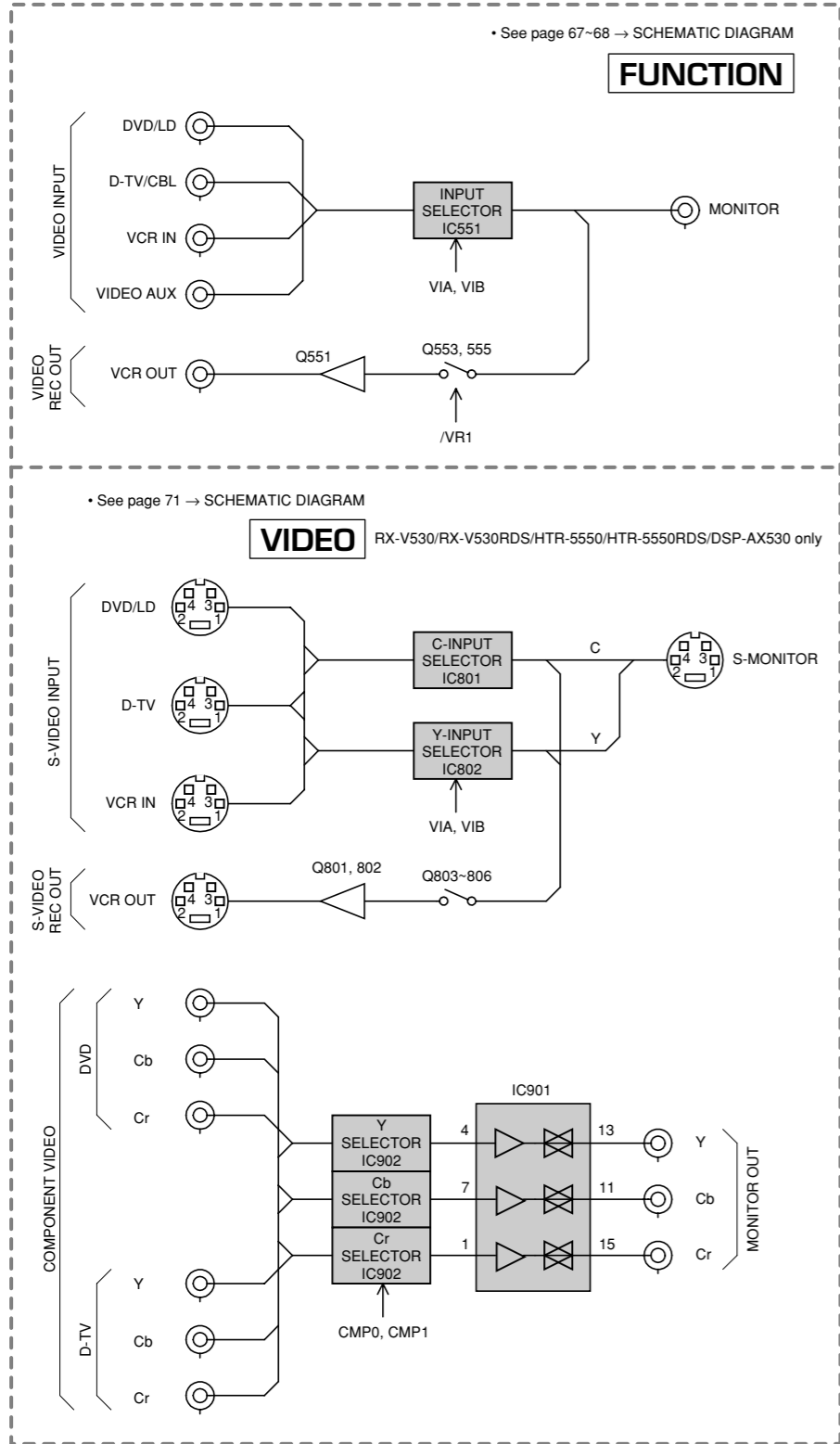
4

5

6

7

■ BLOCK DIAGRAM (2/2)



1 ■ PRINTED CIRCUIT BOARD (Foil side)

| Circuit No. | J | U, C | R, T, K | A, L | B, G |
|-------------|---|------|---------|------|------|
| J305 | O | O | X | X | X |
| J306 | O | X | X | O | O |

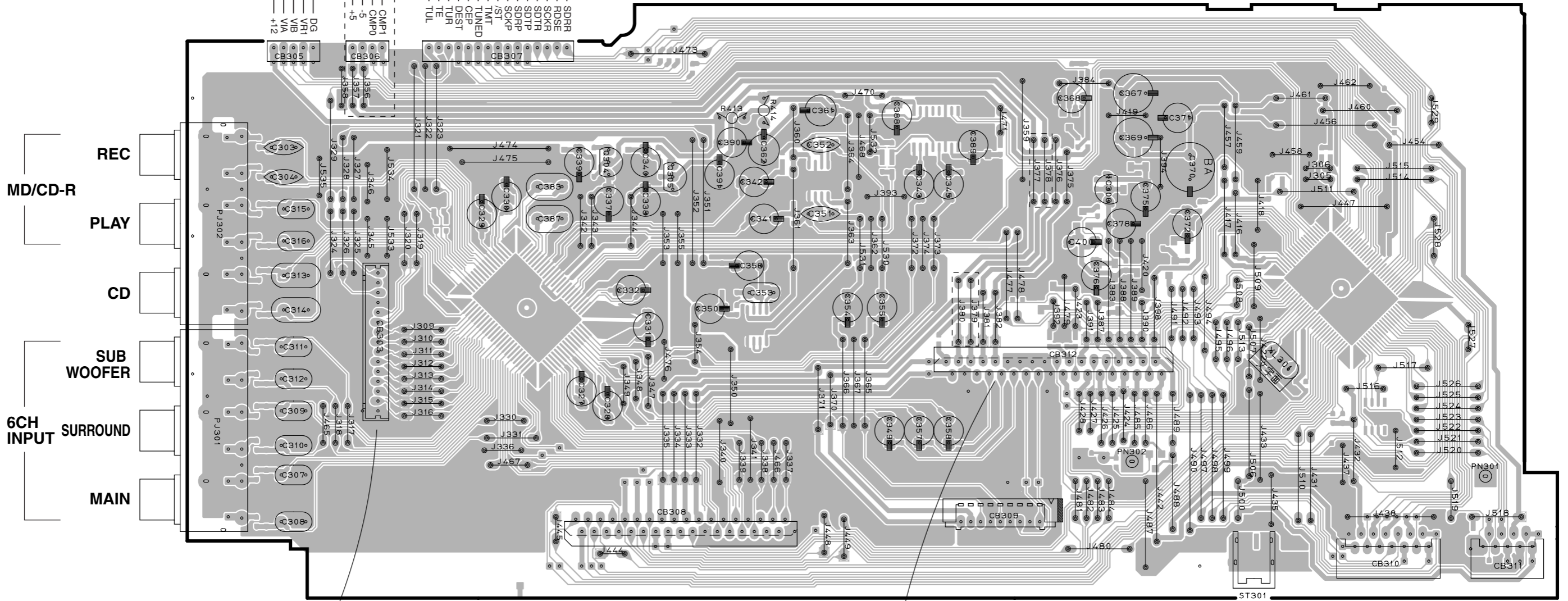
X: NOT USED
O: USED / APPLICABLE

• Semiconductor Location

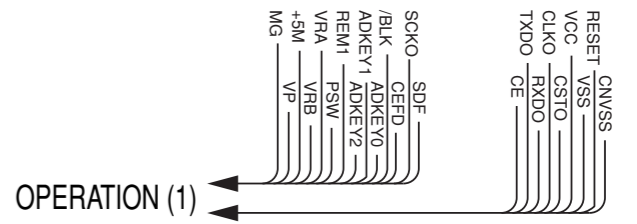
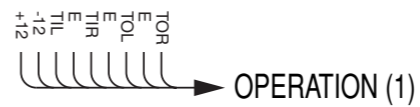
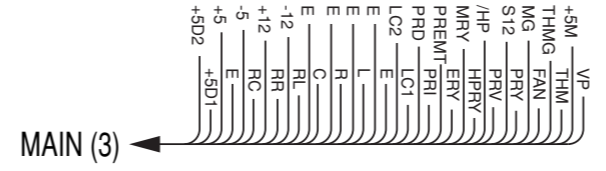
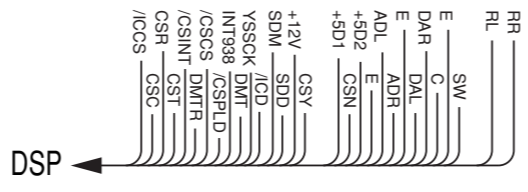
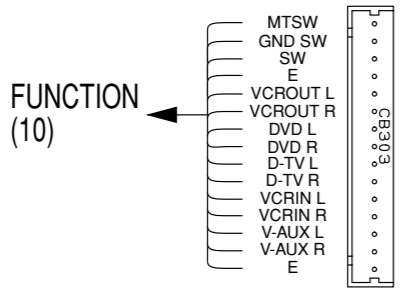
| Ref. No. | Location |
|----------|----------|
| IC306 | G4 |
| Q304 | D3 |
| Q305 | E3 |

FUNCTION (1) P. C. B. (Lead Type Device)

FUNCTION (4) : RX-V530/RX-V530RDS/HTR-5550/HTR-5550RDS/DSP-AX530 only



REC
MD/CD-R
PLAY
CD
SUB WOOFER
6CH INPUT SURROUND
MAIN

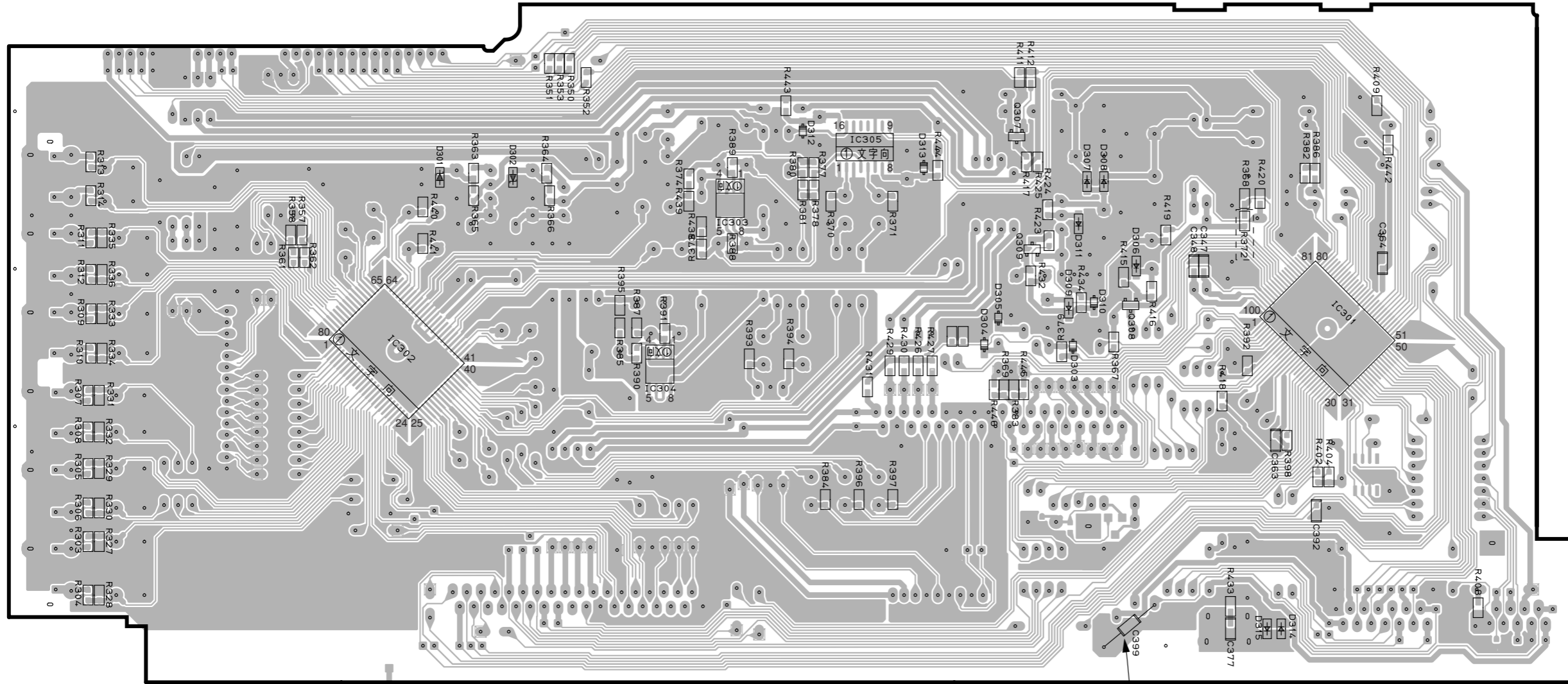


PRINTED CIRCUIT BOARD (Foil side)

FUNCTION (1) P. C. B. (Surface Mount Device)

• Semiconductor Location

| Ref. No. | Location |
|----------|----------|
| D301 | C2 |
| D302 | D2 |
| D303 | F3 |
| D304 | F3 |
| D305 | F3 |
| D306 | G3 |
| D307 | G3 |
| D308 | G3 |
| D309 | F3 |
| D310 | G3 |
| D311 | F3 |
| D312 | E2 |
| D313 | F2 |
| D314 | H5 |
| D315 | G5 |
| IC301 | H3 |
| IC302 | C3 |
| IC303 | E3 |
| IC304 | D3 |
| IC305 | E2 |
| Q307 | F2 |
| Q308 | G3 |
| Q309 | F3 |



P.W.B version B & C only

| Circuit No. | J | U, C | R, T, K | A, L | B, G |
|-------------|---|------|---------|------|------|
| R382 | X | X | O | O | O |
| R386 | X | O | O | X | X |
| R409 | O | O | O | O | X |

X: NOT USED
 O: USED / APPLICABLE

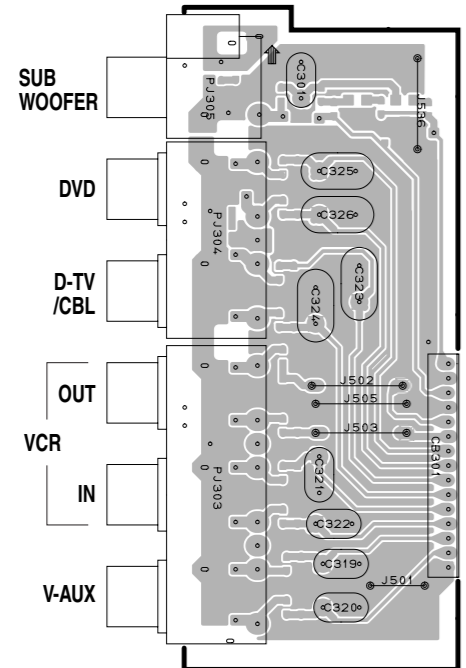
PRINTED CIRCUIT BOARD (Foil side)

Semiconductor Location

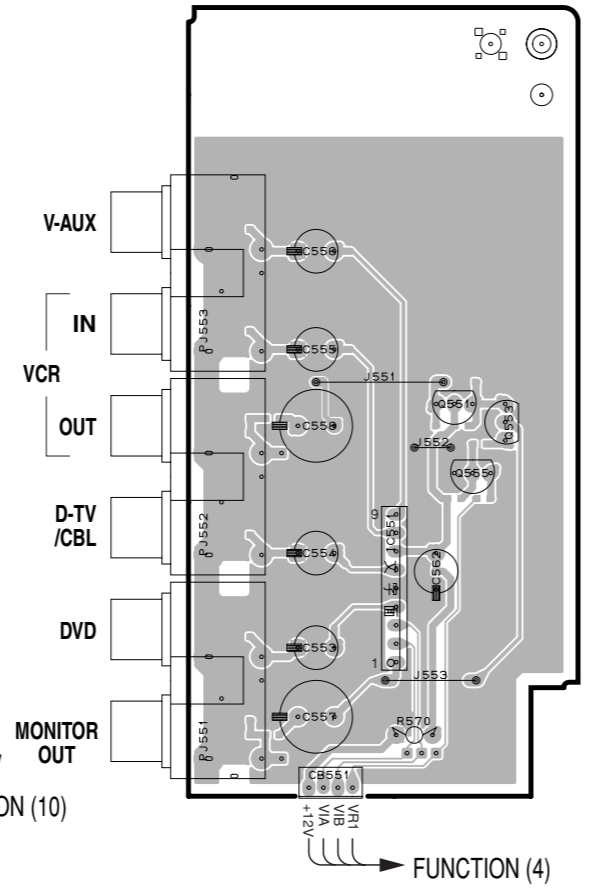
| Ref. No. | Location |
|----------|----------|
| D571 | H5 |
| D572 | E5 |
| IC551 | D3 |
| IC571 | H3 |
| Q301 | B5 |
| Q311 | B5 |
| Q551 | D3 |
| Q553 | D3 |
| Q555 | D3 |
| Q571 | H2 |
| Q572 | H3 |

1
2
3
4
5
6
7

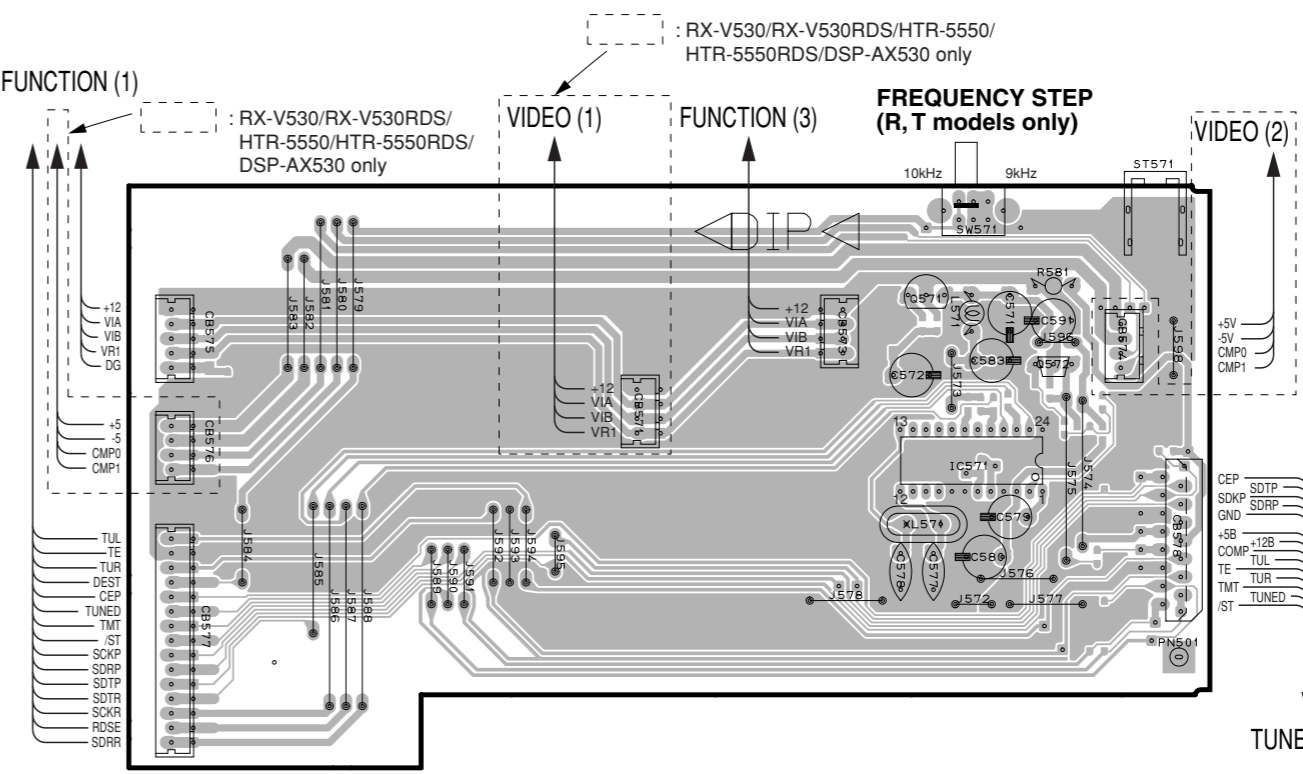
FUNCTION (2) P. C. B. (Lead Type Device)



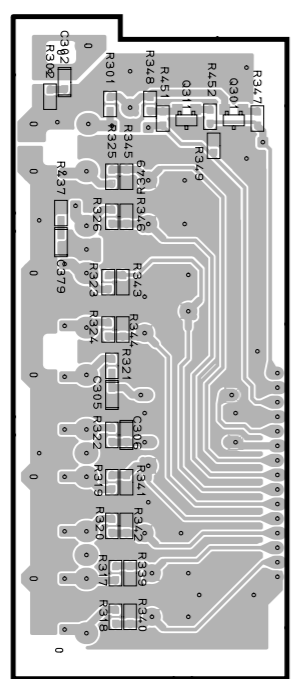
FUNCTION (3) P. C. B. (Lead Type Device)



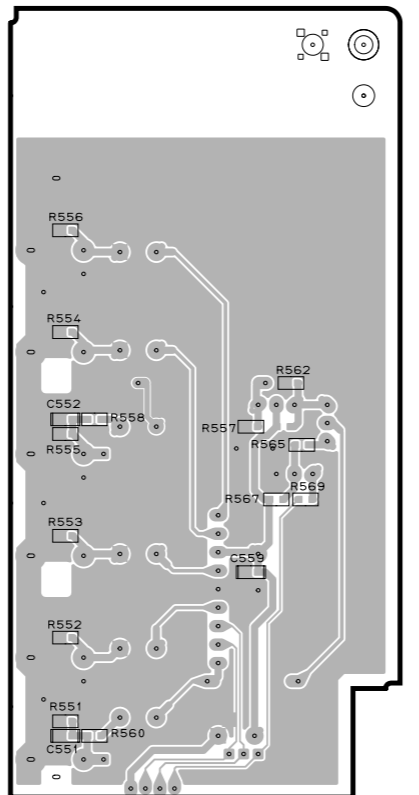
FUNCTION (4) P. C. B. (Lead Type Device)



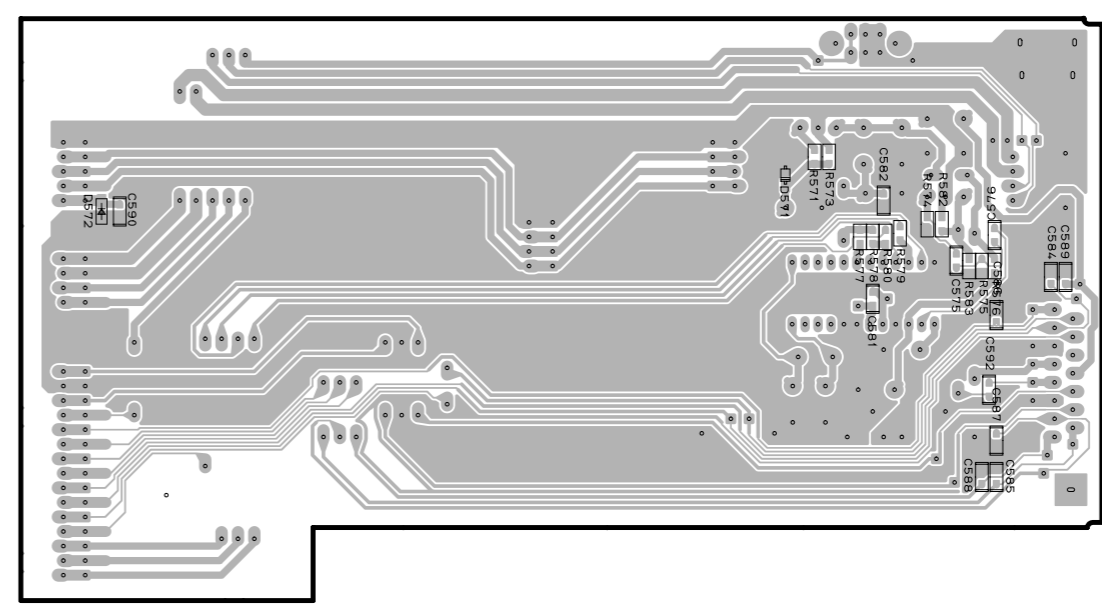
FUNCTION (2) P. C. B. (Surface Mount Device)



FUNCTION (3) P. C. B. (Surface Mount Device)



FUNCTION (4) P. C. B. (Surface Mount Device)



| Circuit No. | J | U, C | R, T | A | B | G | L | K |
|--------------------|---|------|------|---|---|---|---|---|
| C575-583, 592 | X | X | X | X | O | O | X | X |
| IC571 | X | X | X | X | O | O | X | X |
| L571 | X | X | X | X | O | O | X | X |
| Q572 | X | X | X | X | O | O | X | X |
| R574-580, 582, 583 | X | X | X | X | O | O | X | X |
| SW571, 941 | X | X | O | X | X | X | X | X |
| XL571 | X | X | X | X | O | O | X | X |

X: NOT USED
O: USED / APPLICABLE

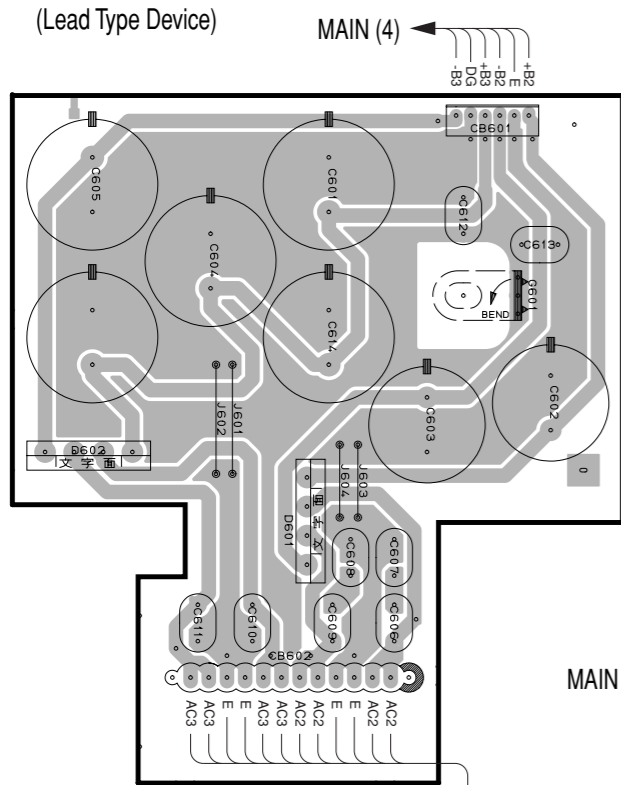
PRINTED CIRCUIT BOARD (Foil side)

• Semiconductor Location

| Ref. No. | Location |
|----------|----------|
| D601 | B3 |
| D602 | A3 |
| D921 | D5 |
| D922 | C6 |
| D923 | C6 |
| D924 | D3 |
| D925 | D3 |
| D926 | D3 |
| D927 | D2 |
| D928 | D2 |
| Q921 | D3 |
| Q922 | D3 |
| Q923 | D3 |
| Q924 | D3 |

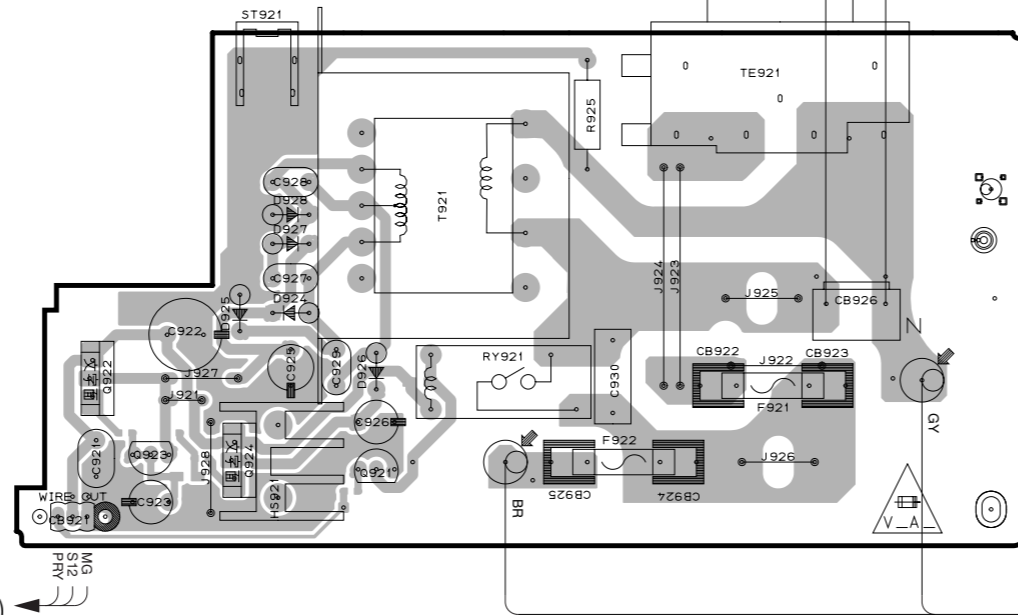
FUNCTION (5) P. C. B.

(Lead Type Device)



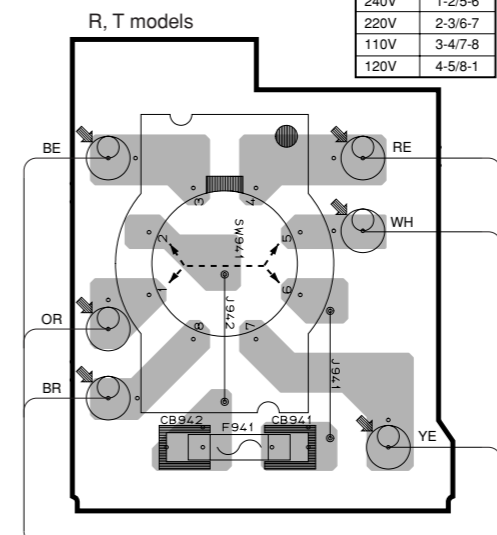
FUNCTION (7) P. C. B.

(Lead Type Device)



FUNCTION (8) P. C. B.

(Lead Type Device)

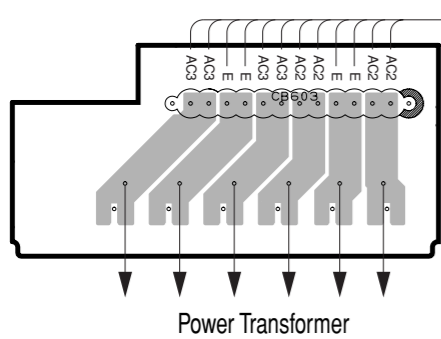


VOLTAGE SELECTOR

| | |
|------|---------|
| 240V | 1-2/5-6 |
| 220V | 2-3/6-7 |
| 110V | 3-4/7-8 |
| 120V | 4-5/8-1 |

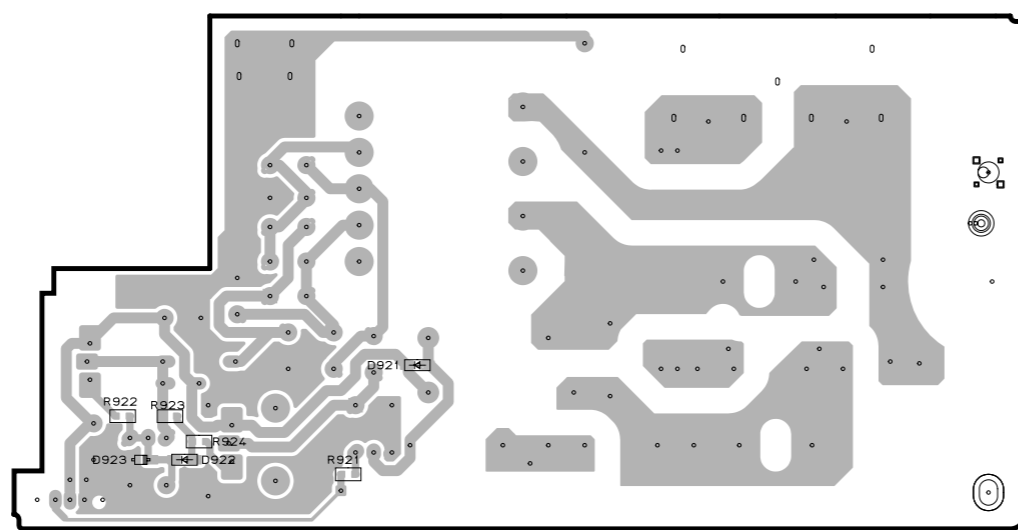
FUNCTION (6) P. C. B.

(Lead Type Device)



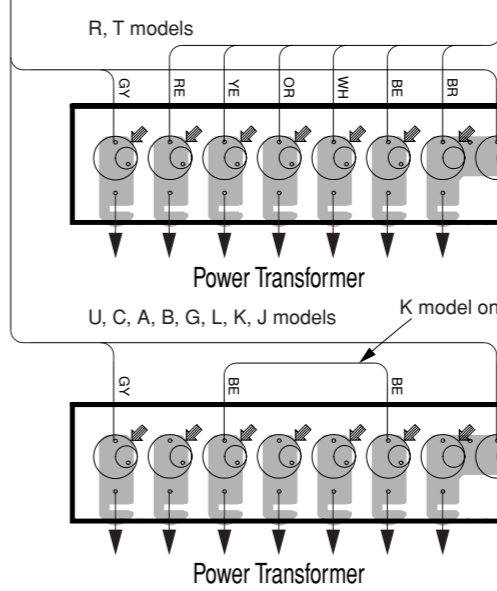
FUNCTION (7) P. C. B.

(Surface Mount Device)



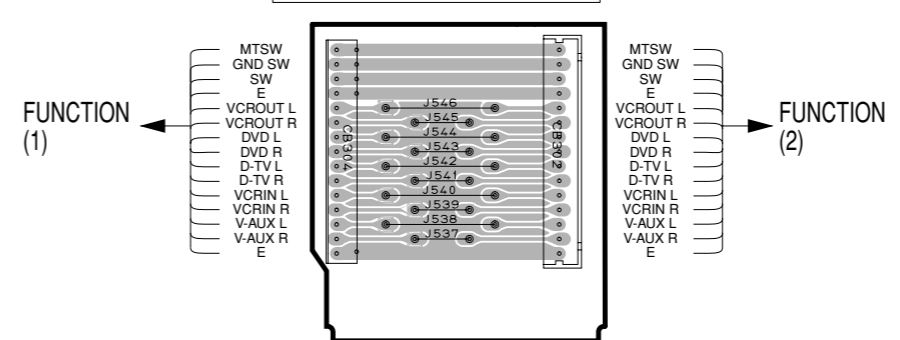
FUNCTION (9) P. C. B.

(Lead Type Device)



FUNCTION (10) P. C. B.

(Lead Type Device)

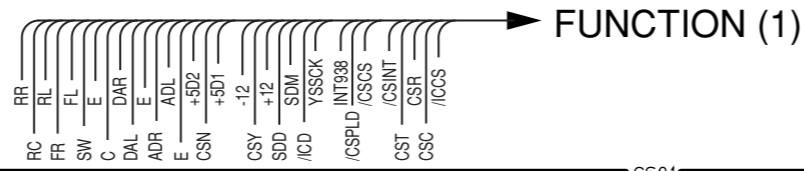


| Circuit No. | J | U, C | R, T | A | B | G | L | K |
|--------------------------|---|------|------|---|---|---|---|---|
| C923, 925, 926, 928, 929 | X | X | O | X | X | X | X | X |
| C927 | O | O | X | O | O | O | O | O |
| CB922, 923 | X | X | X | X | X | O | O | X |
| CB941, 942 | X | X | O | X | X | X | X | X |
| D922, 923, 925, 926 | X | X | O | X | X | X | X | X |
| F921 | X | X | X | X | X | O | O | X |
| F941 | X | X | O | X | X | X | X | X |
| J921 | O | O | X | O | O | O | O | O |
| J922 | O | O | O | O | O | X | X | X |
| Q922-924 | X | X | O | X | X | X | X | X |
| R922-924 | X | X | O | X | X | X | X | X |
| R925 | X | O | X | X | X | X | X | X |
| SW941 | X | X | O | X | X | X | X | X |
| TE921 | O | O | O | O | O | O | O | X |
| W941-946 | X | X | O | X | X | X | X | X |
| W947 | X | X | X | X | X | X | X | O |

X: NOT USED
 O: USED / APPLICABLE

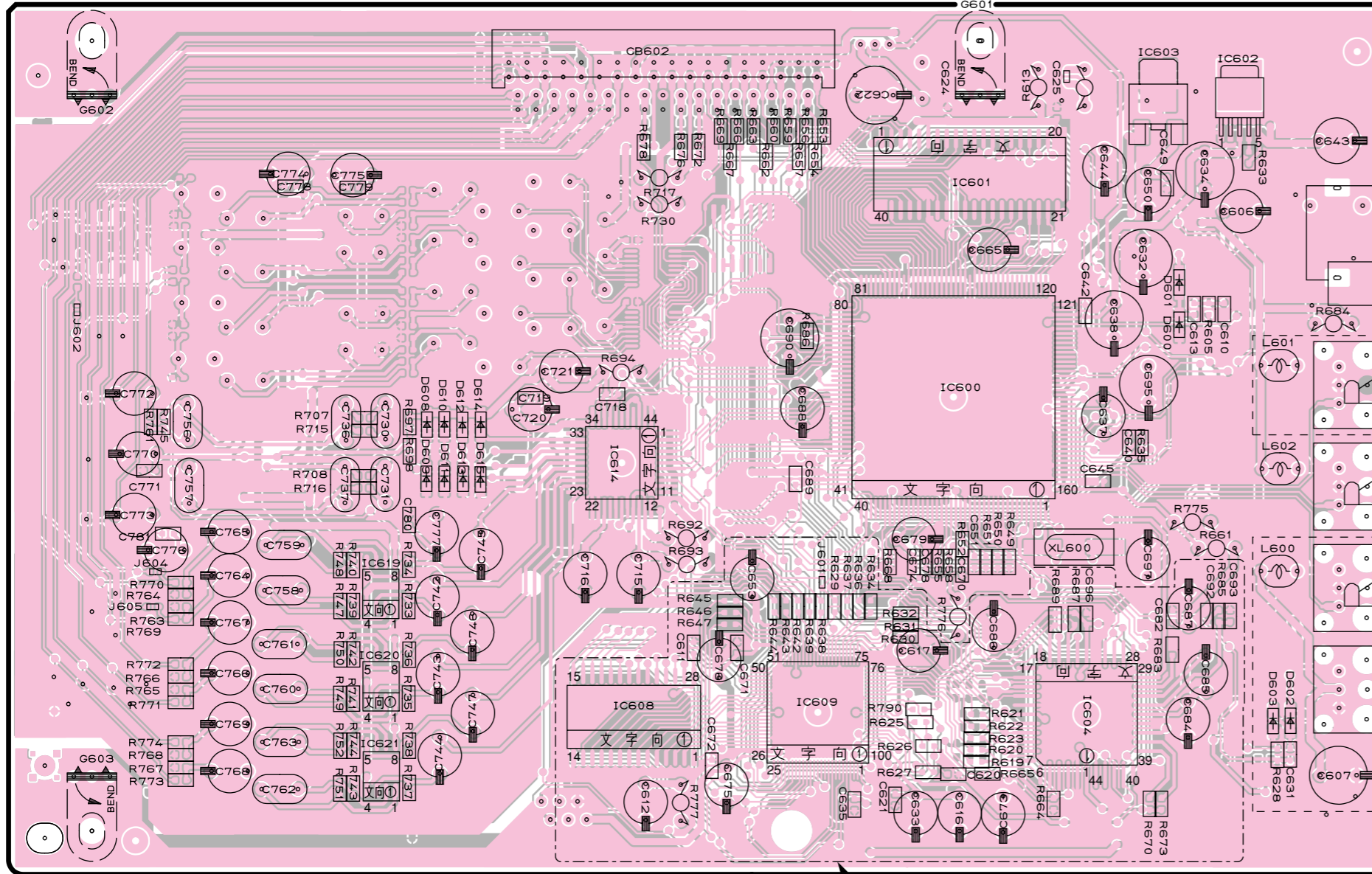
PRINTED CIRCUIT BOARD (Foil side)

DSP P. C. B. (Lead Type Device)



| | | |
|------------------------------------|---|------------------------|
| Circuit No. | J | U, C, R, T, K, A, B, G |
| C658, 661, 666 | O | X |
| J601 | X | O |
| R653, 654, 656, 657, 659, 660, 662 | O | X |
| R668 | X | O |

X: NOT USED
 O: USED / APPLICABLE



: RX-V530/RX-V530RDS/
 HTR-5550/HTR-5550RDS/
 DSP-AX530 only

CD

D-TV/
 CBL

DIGITAL
 INPUT

DVD

MD/
 CD-R

MD/
 CD-R

DIGITAL
 OUTPUT

: RX-V530/RX-V530RDS/
 HTR-5550/HTR-5550RDS/
 DSP-AX530 only

• Semiconductor Location

| Ref. No. | Location |
|----------|----------|
| D600 | F3 |
| D601 | F3 |
| D602 | G5 |
| D603 | G5 |
| D608 | C4 |
| D609 | C4 |
| D610 | C4 |
| D611 | C4 |
| D612 | C4 |
| D613 | C4 |
| D614 | C4 |
| D615 | C4 |
| IC600 | E4 |
| IC601 | E3 |
| IC602 | F2 |
| IC603 | F2 |
| IC604 | F5 |
| IC608 | D5 |
| IC609 | E5 |
| IC614 | D4 |
| IC619 | C4 |
| IC620 | C5 |
| IC621 | C5 |

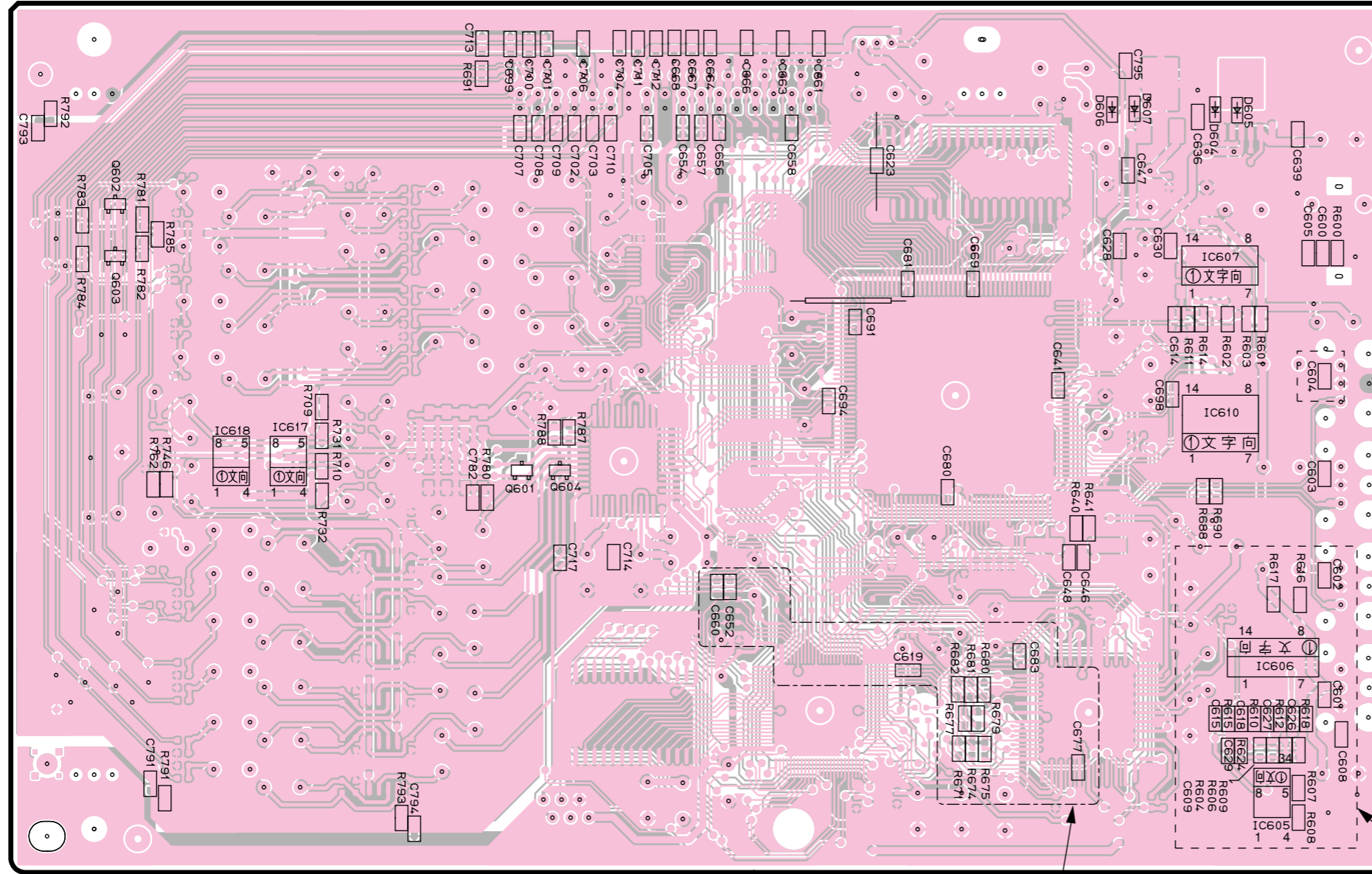
J model only

1 ■ PRINTED CIRCUIT BOARD (Foil side)

DSP P. C. B. (Surface Mount Device)

| | | |
|------------------------------------|---|------------------------|
| Circuit No. | J | U, C, R, T, K, A, B, G |
| C658, 661, 666 | O | X |
| J601 | X | O |
| R653, 654, 656, 657, 659, 660, 662 | O | X |
| R668 | X | O |

X: NOT USED
 O: USED / APPLICABLE



• Semiconductor Location

| Ref. No. | Location |
|----------|----------|
| D604 | F2 |
| D605 | F2 |
| D606 | F2 |
| D607 | F2 |
| IC605 | G5 |
| IC606 | G5 |
| IC607 | F3 |
| IC610 | F4 |
| IC617 | B4 |
| IC618 | B4 |
| Q601 | C4 |
| Q602 | A2 |
| Q603 | A3 |
| Q604 | C4 |

J model only

: RX-V530/RX-V530RDS/
 HTR-5550/HTR-5550RDS/
 DSP-AX530 only

2

3

4

5

6

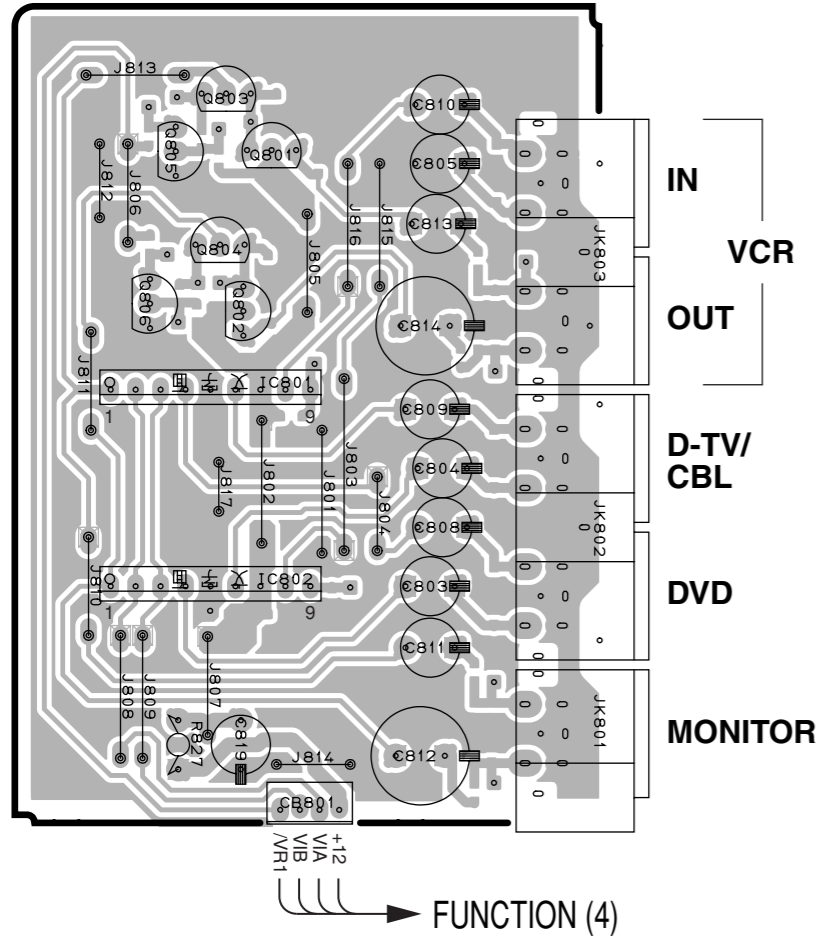
7

PRINTED CIRCUIT BOARD (Foil side)

RX-V530/RX-V530RDS/HTR-5550/HTR-5550RDS/DSP-AX530 only

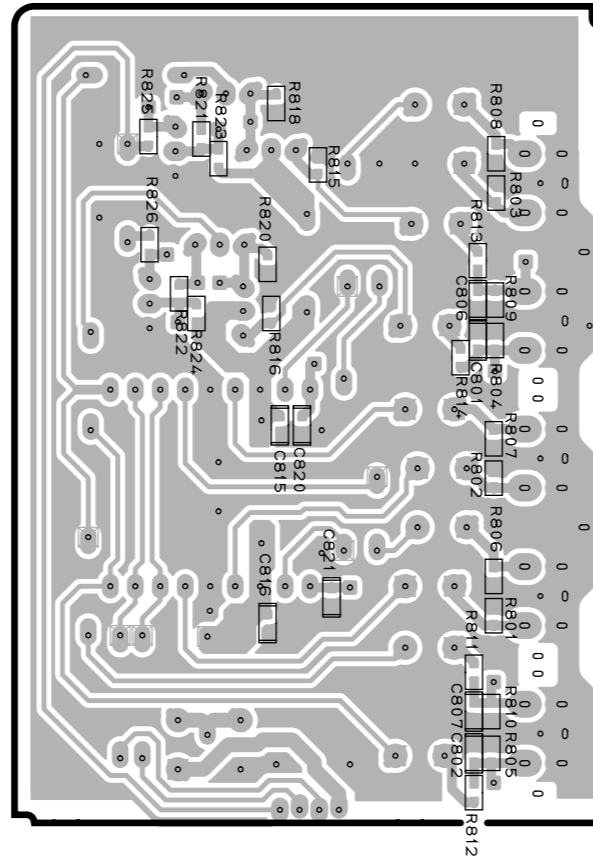
VIDEO (1) P. C. B.

(Lead Type Device)



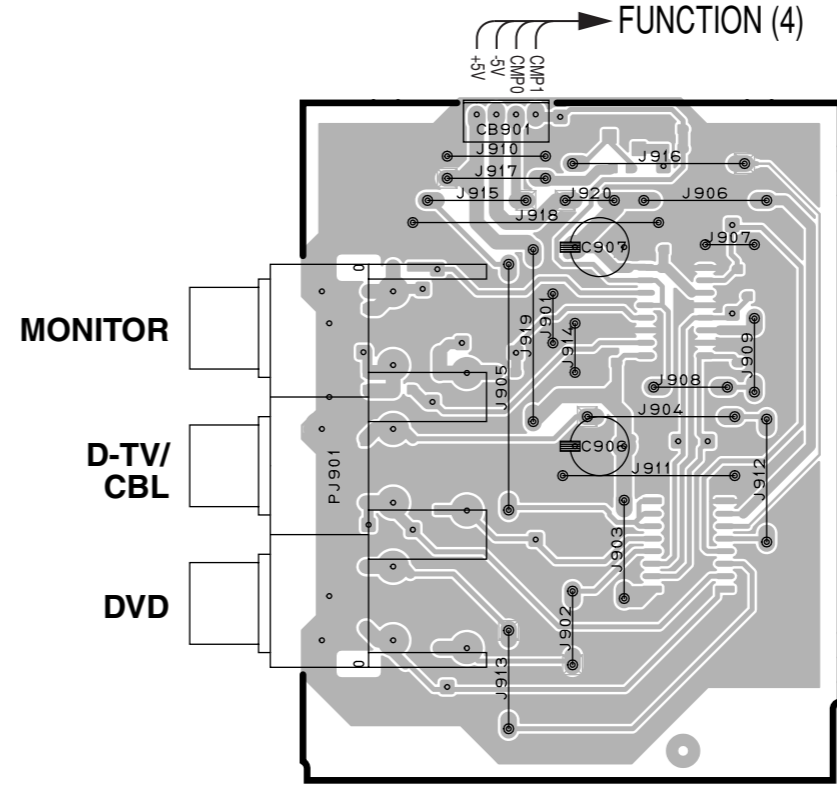
VIDEO (1) P. C. B.

(Surface Mount Device)



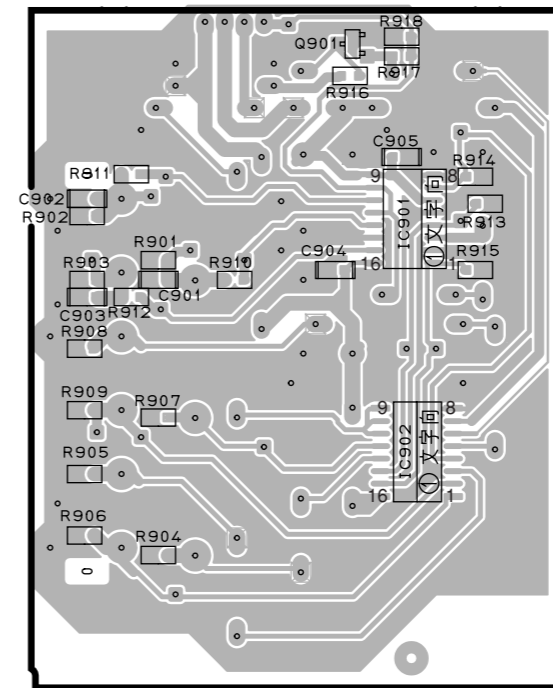
VIDEO (2) P. C. B.

(Lead Type Device)



VIDEO (2) P. C. B.

(Surface Mount Device)



• Semiconductor Location

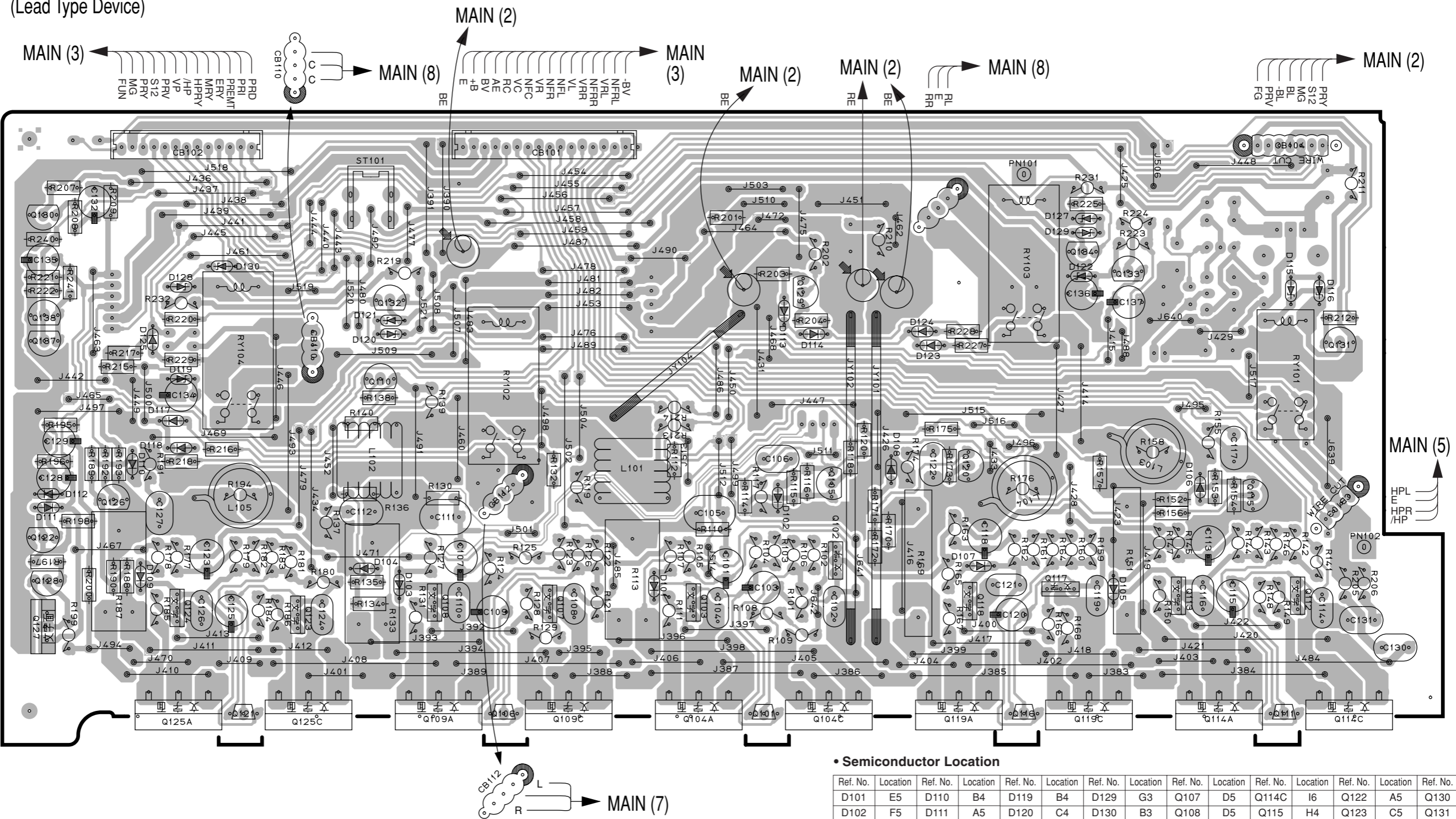
| Ref. No. | Location |
|----------|----------|
| IC801 | B3 |
| IC802 | B4 |
| IC901 | H6 |
| IC902 | H6 |
| Q801 | B2 |
| Q802 | B3 |
| Q803 | B2 |
| Q804 | B3 |
| Q805 | A2 |
| Q806 | A3 |
| Q901 | H5 |

1 ■ PRINTED CIRCUIT BOARD (Foil side)

MAIN (1) P. C. B.

RX-V530/RX-V530RDS/HTR-5550/HTR-5550RDS/DSP-AX530/RX-V430RDS/HTR-5540RDS only

(Lead Type Device)



• Semiconductor Location

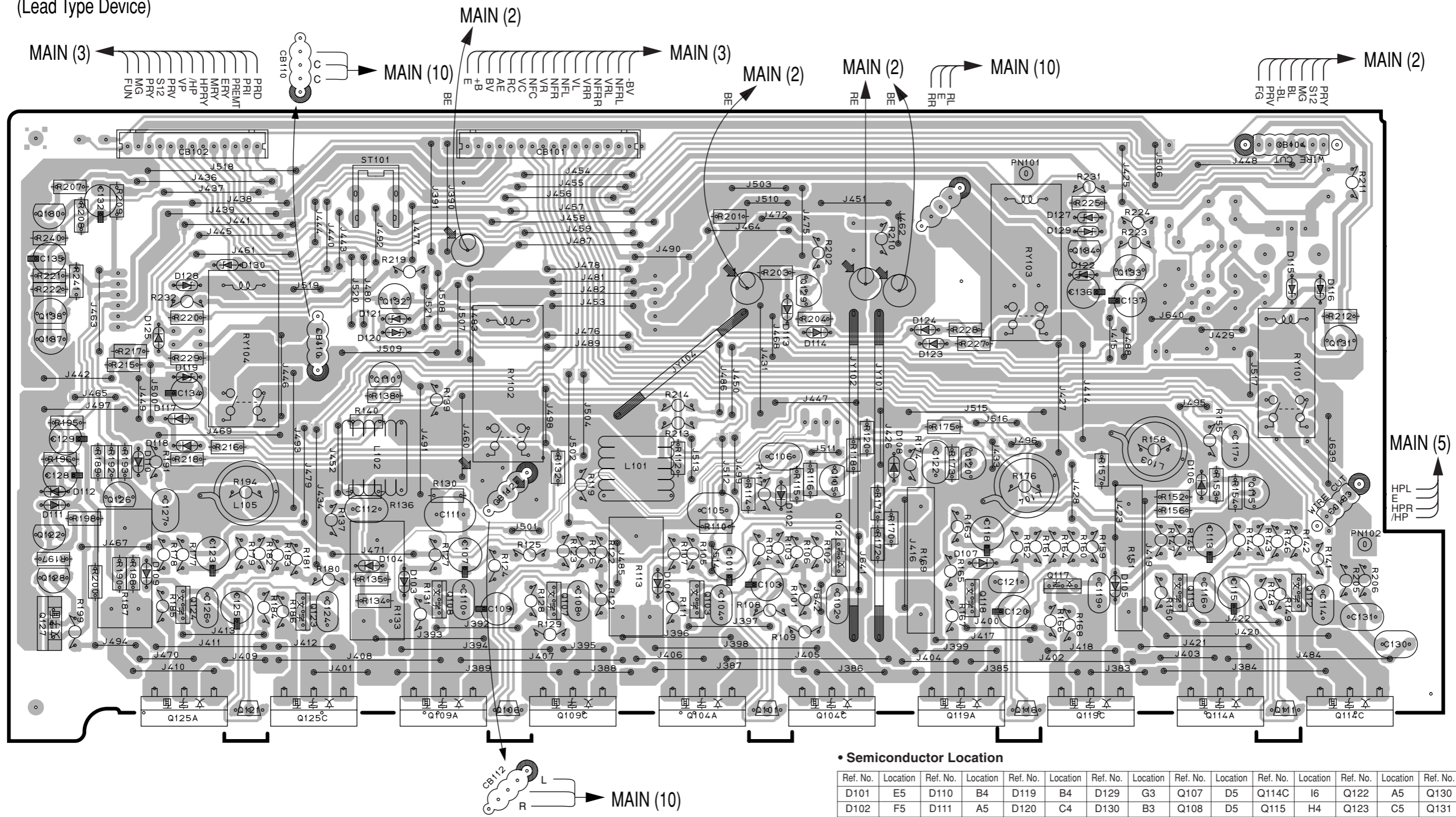
| Ref. No. | Location | Ref. No. | Location | Ref. No. | Location | Ref. No. | Location | Ref. No. | Location | Ref. No. | Location | Ref. No. | Location |
|----------|----------|----------|----------|----------|----------|----------|----------|----------|----------|----------|----------|----------|----------|
| D101 | E5 | D110 | B4 | D119 | B4 | D129 | G3 | Q107 | D5 | Q114C | I6 | Q122 | A5 |
| D102 | F5 | D111 | A5 | D120 | C4 | D130 | B3 | Q108 | D5 | Q115 | H4 | Q123 | C5 |
| D103 | C5 | D112 | A4 | D121 | C3 | Q101 | E6 | Q109A | D6 | Q116 | G6 | Q124 | B5 |
| D104 | C5 | D113 | F3 | D122 | G3 | Q102 | F5 | Q109C | D6 | Q117 | G5 | Q125A | B6 |
| D105 | H5 | D114 | F4 | D123 | F4 | Q103 | E5 | Q110 | C4 | Q118 | G5 | Q125C | C6 |
| D106 | H4 | D115 | I3 | D124 | F4 | Q104A | E6 | Q111 | I6 | Q119A | G6 | Q126 | B5 |
| D107 | G5 | D116 | I3 | D125 | B4 | Q104C | F6 | Q112 | I5 | Q119C | G6 | Q127 | A5 |
| D108 | F4 | D117 | B4 | D127 | G3 | Q105 | F4 | Q113 | H5 | Q120 | G4 | Q128 | A5 |
| D109 | B5 | D118 | B4 | D128 | B3 | Q106 | D6 | Q114A | H6 | Q121 | B6 | Q129 | F3 |

PRINTED CIRCUIT BOARD (Foil side)

MAIN (1) P. C. B.

RX-V430/HTR-5540/DSP-AX430 only

(Lead Type Device)

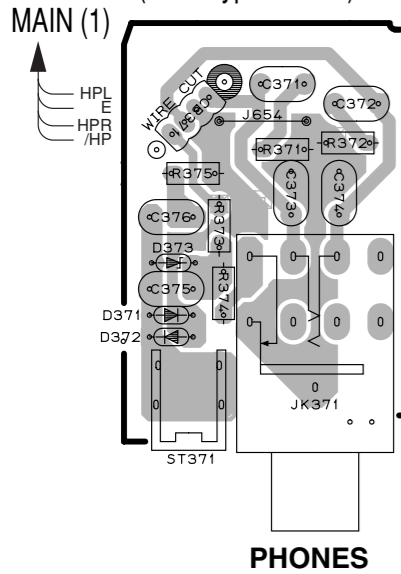


• Semiconductor Location

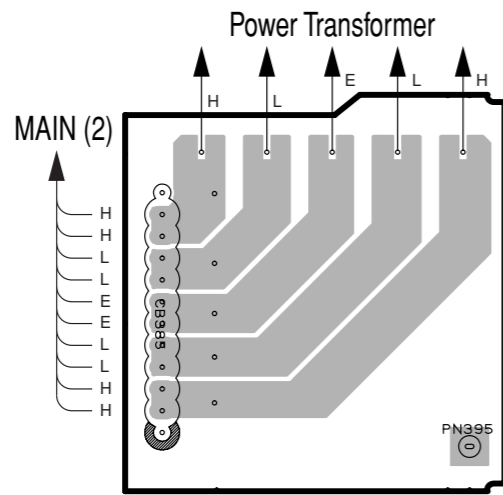
| Ref. No. | Location | Ref. No. | Location | Ref. No. | Location | Ref. No. | Location | Ref. No. | Location | Ref. No. | Location | Ref. No. | Location |
|----------|----------|----------|----------|----------|----------|----------|----------|----------|----------|----------|----------|----------|----------|
| D101 | E5 | D110 | B4 | D119 | B4 | D129 | G3 | Q107 | D5 | Q114C | I6 | Q122 | A5 |
| D102 | F5 | D111 | A5 | D120 | C4 | D130 | B3 | Q108 | D5 | Q115 | H4 | Q123 | C5 |
| D103 | C5 | D112 | A4 | D121 | C3 | Q101 | F6 | Q109A | D6 | Q116 | G6 | Q124 | B5 |
| D104 | C5 | D113 | F3 | D122 | G3 | Q102 | F5 | Q109C | D6 | Q117 | G5 | Q125A | B6 |
| D105 | H5 | D114 | F4 | D123 | G4 | Q103 | E5 | Q110 | C4 | Q118 | G5 | Q125C | C6 |
| D106 | H4 | D115 | I3 | D124 | F4 | Q104A | E6 | Q111 | I6 | Q119A | G6 | Q126 | B5 |
| D107 | G5 | D116 | I3 | D125 | B4 | Q104C | F6 | Q112 | I5 | Q119C | G6 | Q127 | A5 |
| D108 | F4 | D117 | B4 | D127 | G3 | Q105 | F4 | Q113 | H5 | Q120 | G4 | Q128 | A5 |
| D109 | B5 | D118 | B4 | D128 | B3 | Q106 | D6 | Q114A | H6 | Q121 | B6 | Q129 | F3 |

PRINTED CIRCUIT BOARD (Foil side)

MAIN (5) P. C. B.
 (Lead Type Device)

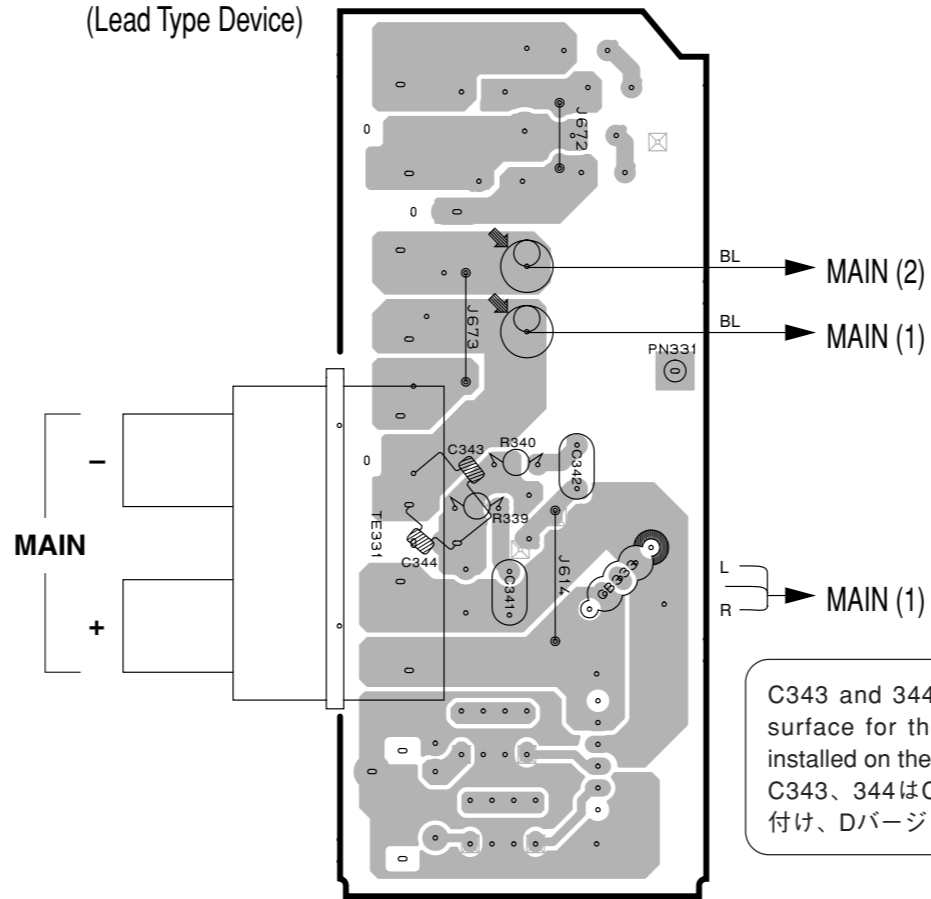


MAIN (6) P. C. B. (Lead Type Device)



MAIN (7) P. C. B.
 (Lead Type Device)

RX-V530/RX-V530RDS/HTR-5550/HTR-5550RDS/
 DSP-AX530/RX-V430RDS/HTR-5540RDS only



C343 and 344 are installed on the solder surface for the C version, while they are installed on the part surface for the D version. C343、344はCバージョンではハンダ面取り付け、Dバージョンでは部品面取り付けです。

RX-V530/RX-V530RDS/HTR-5550/HTR-5550RDS/DSP-AX530/RX-V430RDS/HTR-5540RDS

| Circuit No. | J | U, C | R, T, K, A, B, G, L |
|---|---|------|---------------------|
| C341-344, 351, 353, 354, 371-374, 376 | X | X | O |
| R339, 340, 351, 353, 354, 371, 372, 375 | X | X | O |

X: NOT USED
 O: USED / APPLICABLE

RX-V430/HTR-5540/DSP-AX430

| Circuit No. | J | U, C | R, T, K, A, L |
|--|---|------|---------------|
| C371-374, 376, 390-392, 395, 399, 421, 422 | X | X | O |
| R371, 372, 375, 391-395 | X | X | O |

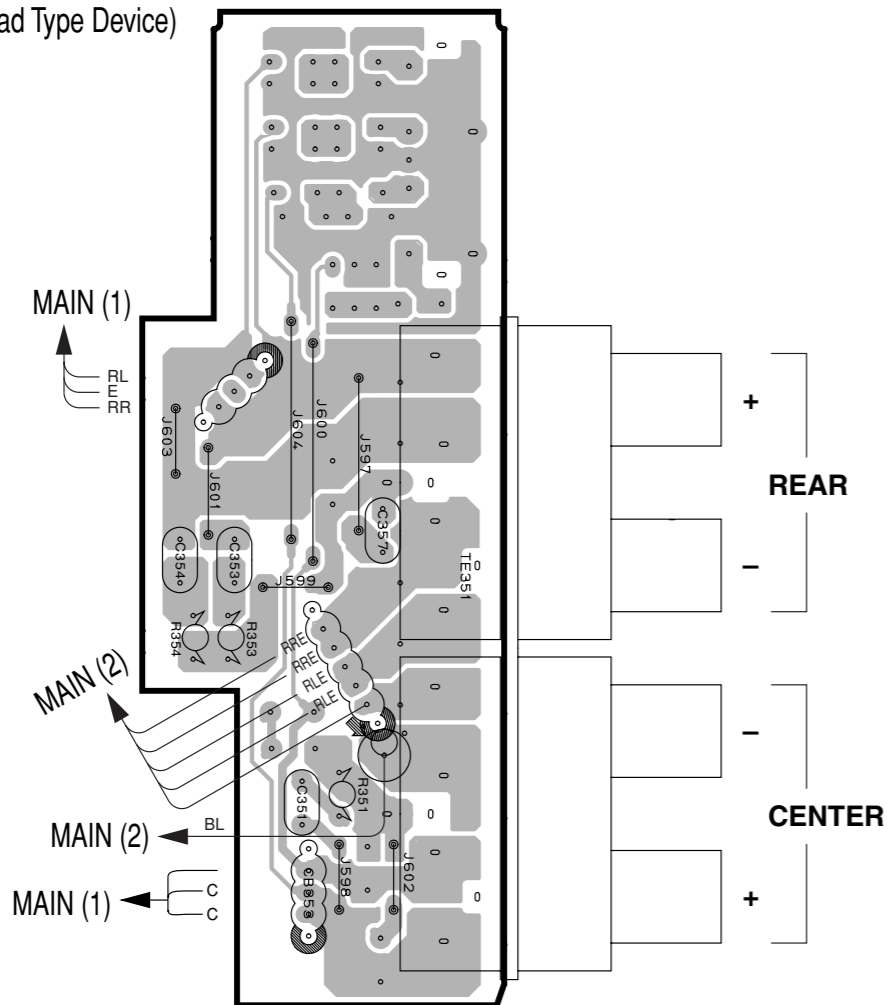
X: NOT USED
 O: USED / APPLICABLE

Semiconductor Location

| Ref. No. | Location |
|----------|----------|
| D371 | A3 |
| D372 | A3 |
| D373 | A2 |

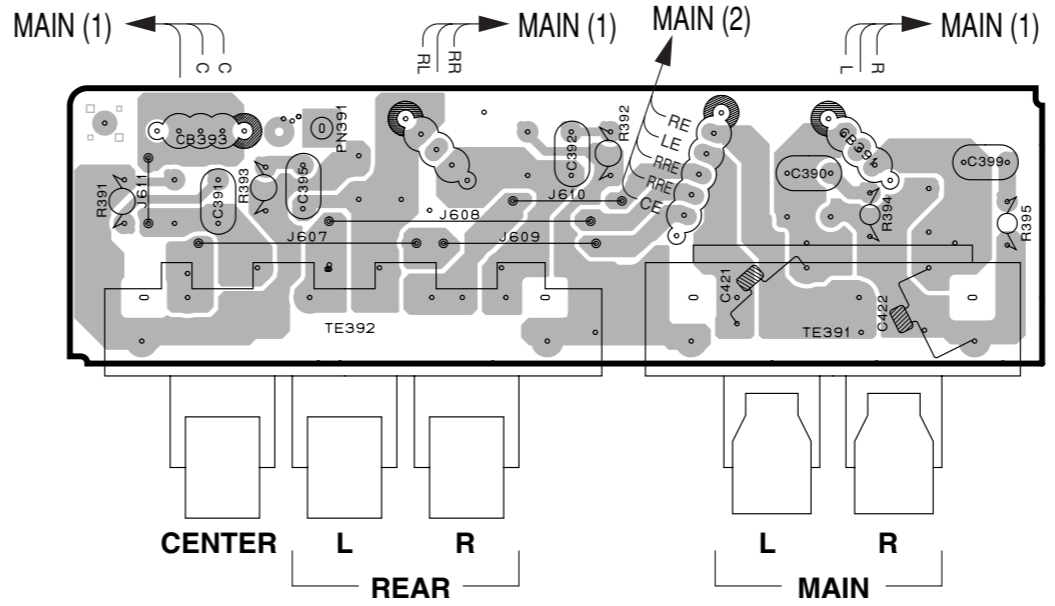
MAIN (8) P. C. B.
 (Lead Type Device)

RX-V530/RX-V530RDS/HTR-5550/HTR-5550RDS/
 DSP-AX530/RX-V430RDS/HTR-5540RDS only



MAIN (10) P. C. B.
 (Lead Type Device)

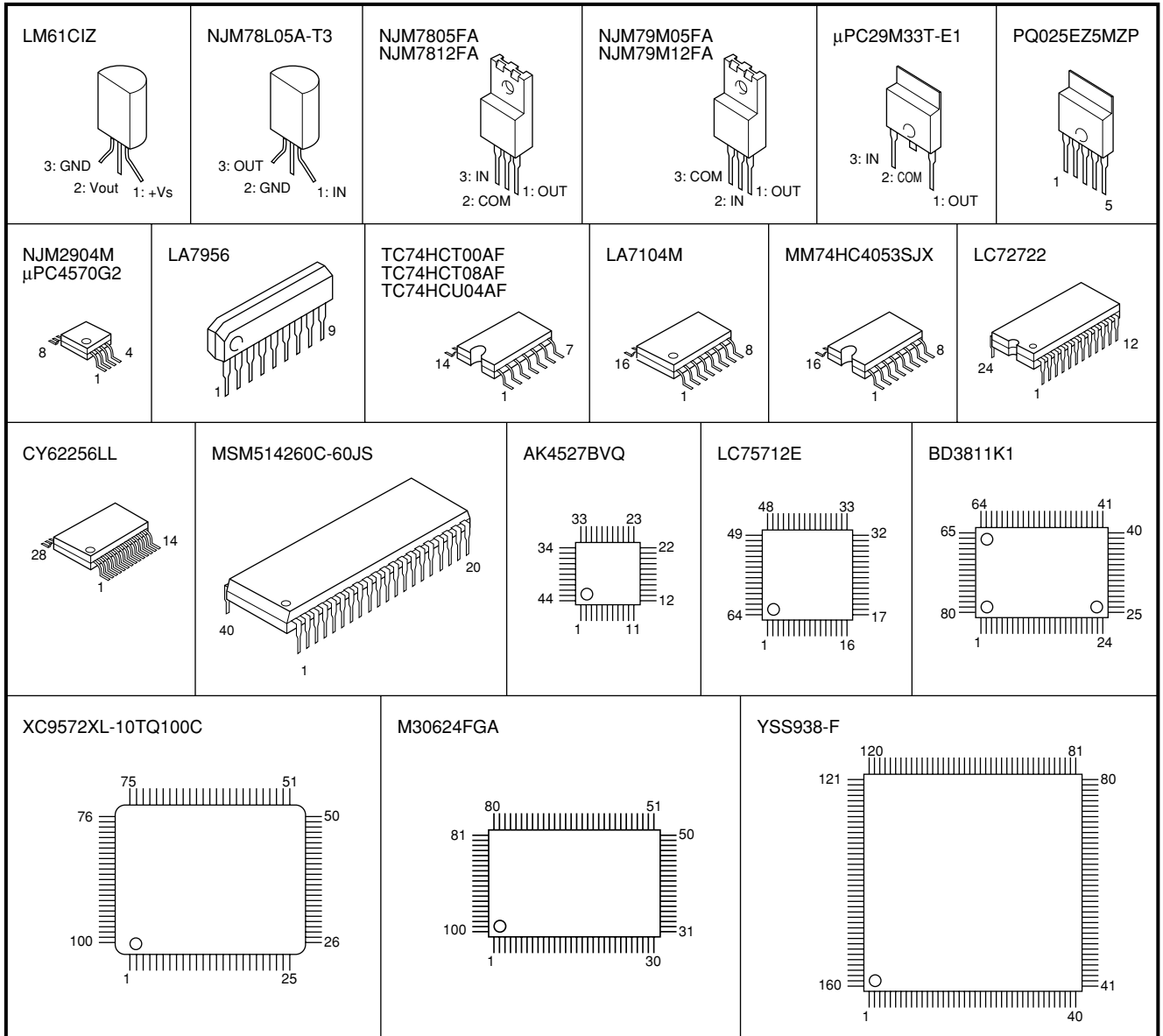
RX-V430/HTR-5540/DSP-AX430 only



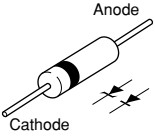
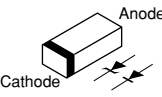
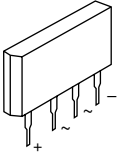
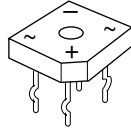
C421 and 422 are installed on the solder surface for the C version, while they are installed on the part surface for the D version. C421、422はCバージョンではハンダ面取り付け、Dバージョンでは部品面取り付けです。

■ PIN CONNECTION DIAGRAM

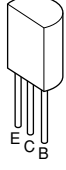
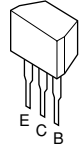
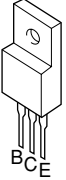
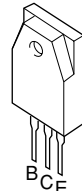
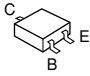
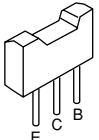
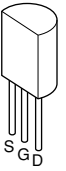
• ICs



• Diodes

| | | | | |
|---|---|---|--|---|
| 1N4002S 1SS133 1SS176 1SS270A 1T2 | MTZJ4.7C MTZJ6.8B MTZJ9.1B MTZJ10.0C MTZJ12.0C MTZJ30.0A |  | 1SS355 MA8075-H RB501V-40 UDZ5.1B UDZ6.2B UDZ7.5B UDZ13B UDZS5.6B UDZS6.8B |  |
| S1VB20  | S5VB20  | | | |

• Transistors

| | | | |
|---|--|--|--|
| 2SA893A 2SA1015 2SB949 2SC1815 2SC1890A  | 2SC1740S 2SD1915F 2SD1991A  | 2SB1565 2SD2396  | 2SA1695 2SC4468  |
| 2SA1037K 2SC2412K 2SC3326 DTA144EK  | 2SA1770 2SC4614  | 2SK246  | |

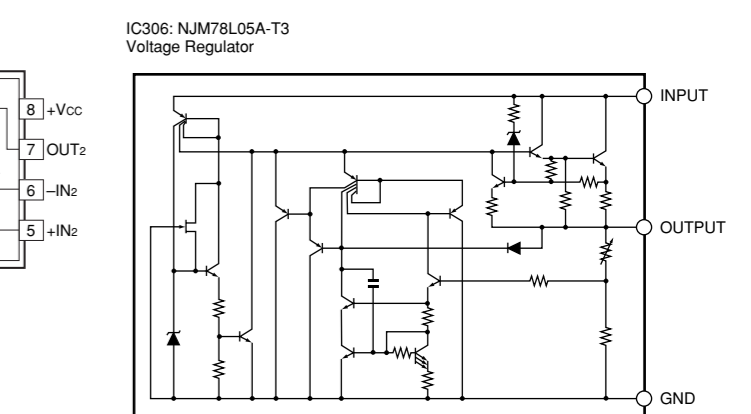
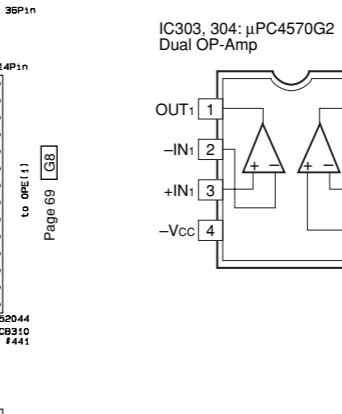
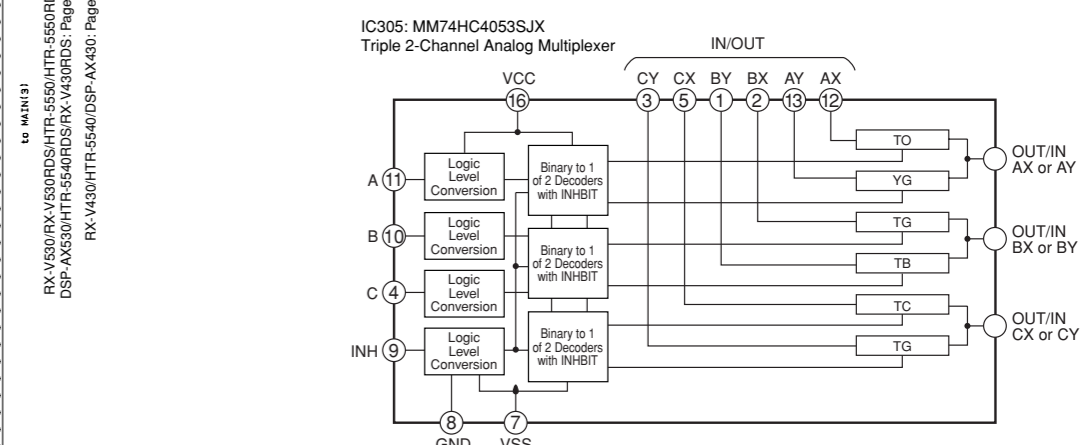
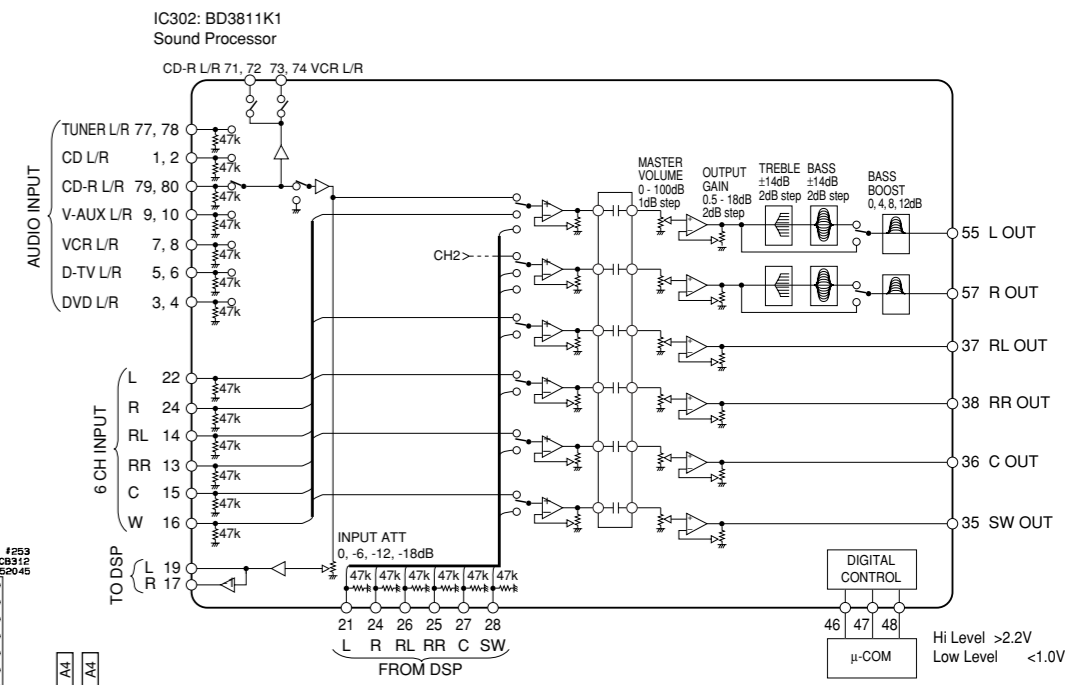
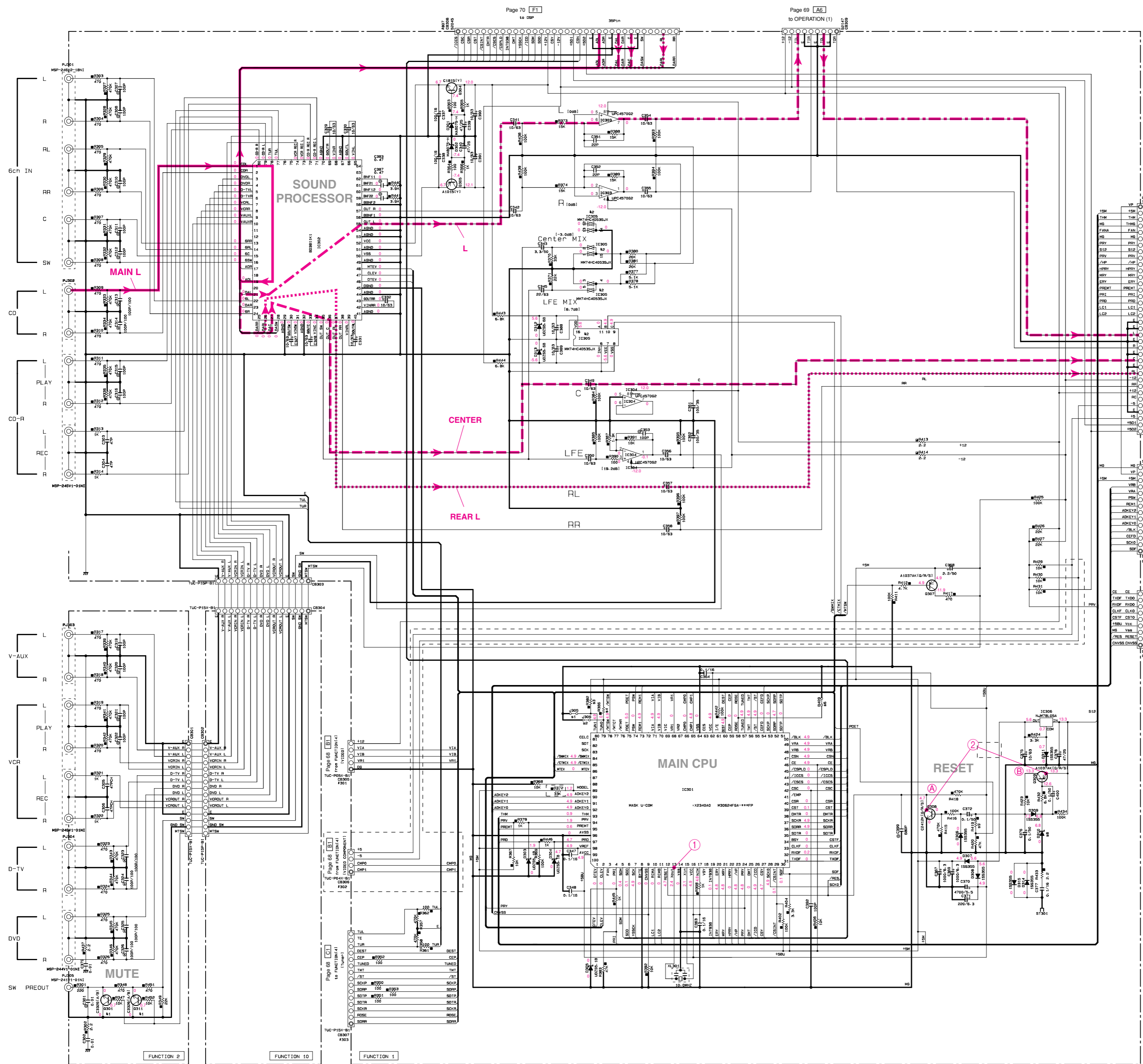
RX-V530/RX-V530RDS/HTR-5550/HTR-5550RDS/DSP-AX530
 RX-V430/RX-V430RDS/HTR-5540/HTR-5540RDS/DSP-AX430

■ SCHEMATIC DIAGRAM (FUNCTION 1/2)

★ All voltages are measured with a 10MΩ/V DC electric volt meter.
 ★ Components having special characteristics are marked with a star and must be replaced with parts having specifications equal to those originally installed.
 ★ Schematic diagram is subject to change without notice.

● 電圧は、内部抵抗10MΩの電圧計で測定したものです。
 ● 1印のある部品は、安全性確保部品を示しています。部品の交換が必要な場合、パーツリストに記載されている部品を使用してください。
 ● 本回路図は標準回路図です。改良のため予告なく変更することがございます。

RX-V530/RX-V530RDS/HTR-5550/HTR-5550RDS/DSP-AX530
 RX-V430/RX-V430RDS/HTR-5540/HTR-5540RDS/DSP-AX430



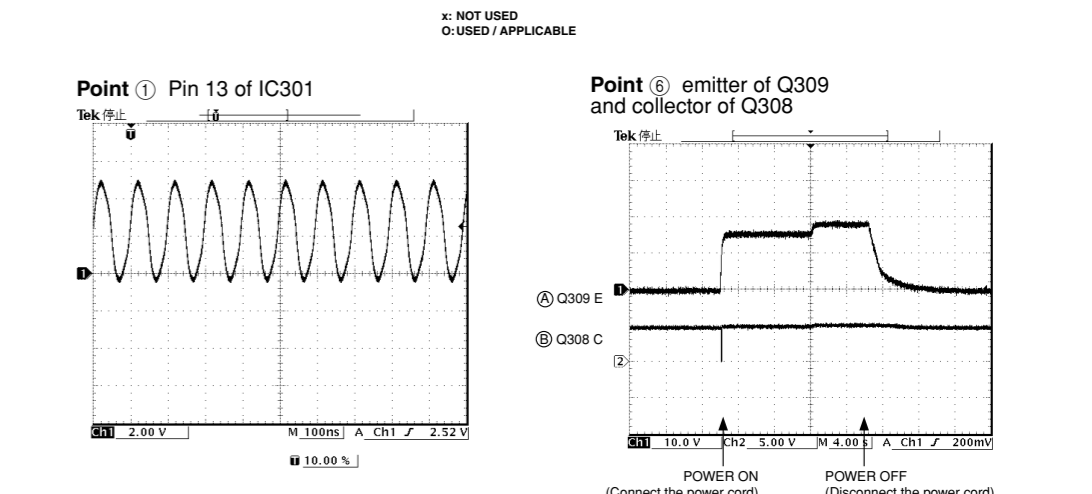
| CAPACITOR | | RESISTOR | |
|-----------|----------------------------------|----------|---------------------------------|
| REMARKS | PARTS NAME | REMARKS | PARTS NAME |
| NO MARK | ELECTROLYTIC CAPACITOR | NO MARK | CARBON FILM RESISTOR (P=5) |
| NO MARK | TANTALUM CAPACITOR | NO MARK | CARBON FILM RESISTOR (P=10) |
| NO MARK | CERAMIC CAPACITOR | NO MARK | METAL OXIDE FILM RESISTOR |
| ◎ | CERAMIC TUBULAR CAPACITOR | ◎ | METAL FILM RESISTOR |
| ○ | POLYESTER FILM CAPACITOR | ○ | FINE PITCH CARBON FILM RESISTOR |
| ○ | POLYSTYRENE FILM CAPACITOR | ○ | CEMENT MOLDED RESISTOR |
| ① | MICA CAPACITOR | ⊕ | SEMI-VARIABLE RESISTOR |
| ⊕ | POLYPROPYLENE FILM CAPACITOR | ⊖ | CHIP RESISTOR |
| ● | SEMICONDUCTIVE CERAMIC CAPACITOR | | |

NOTICE (model)
 (J) JAPANESE
 (U) U.S.A.
 (C) CANADIAN
 (R) GENERAL
 (A) AUSTRALIAN
 (B) BRITISH
 (G) EUROPEAN
 (T) CHINA
 (L) SINGAPORE

Interchangeable Parts at Manufacture-Stage

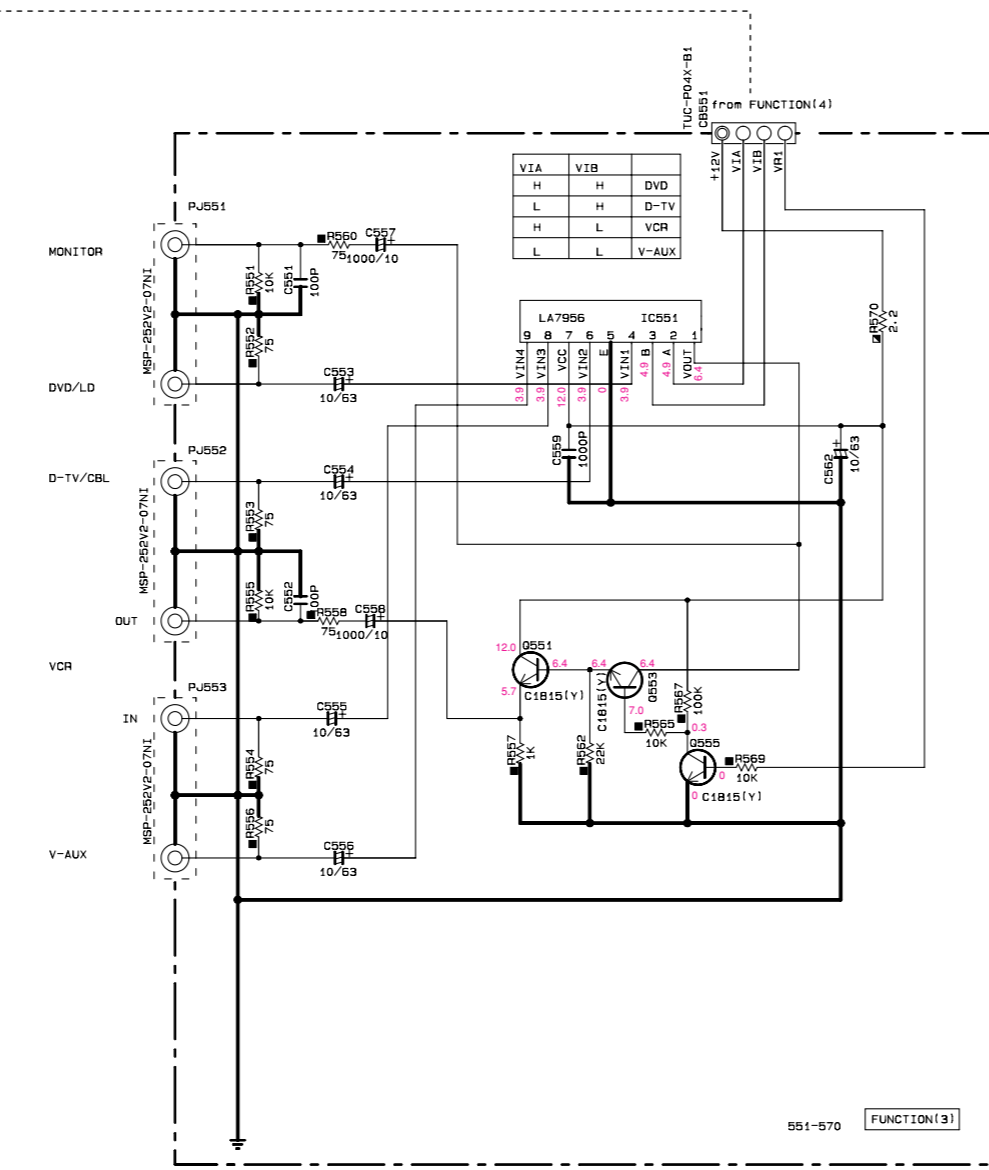
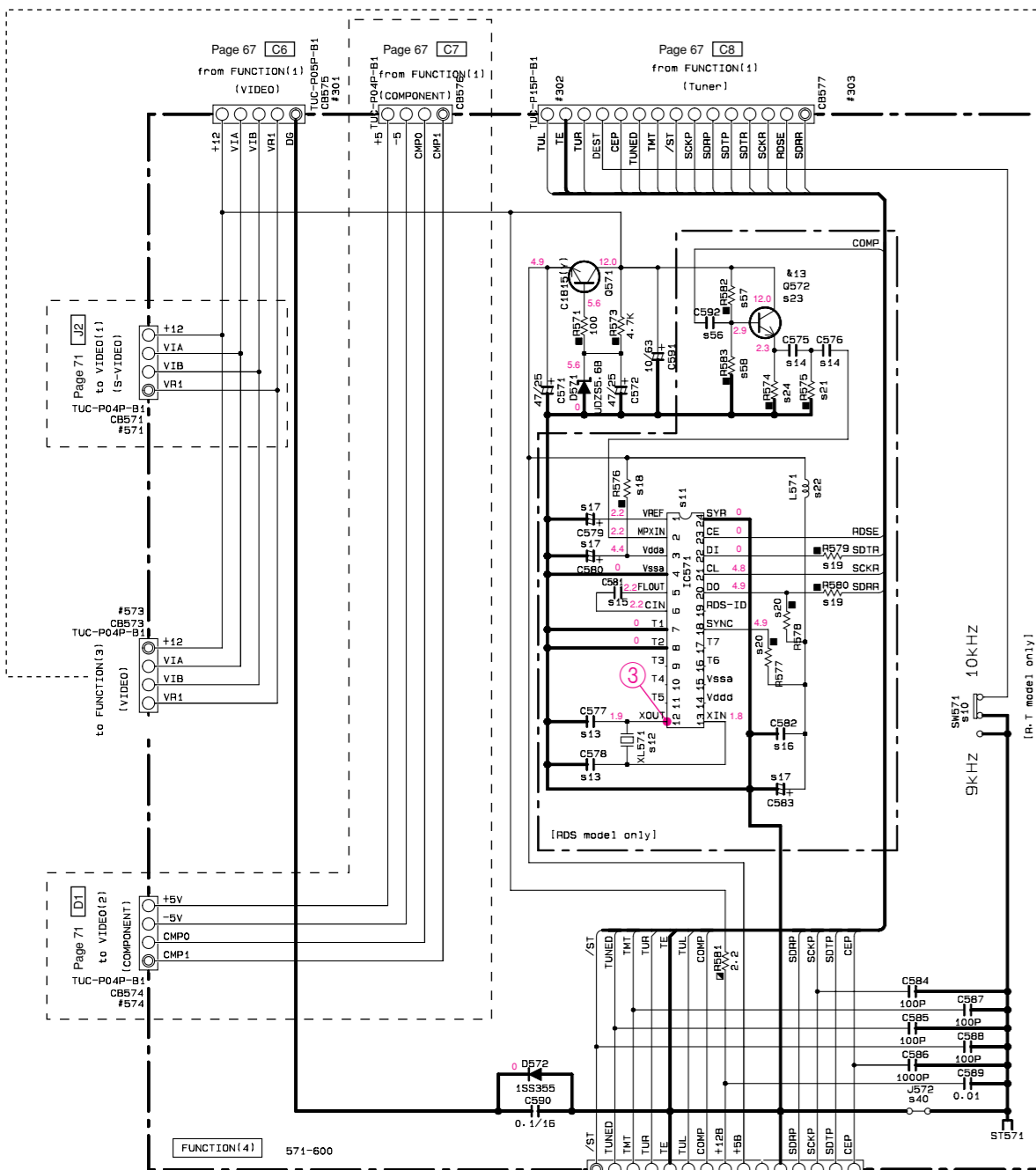
| Mark | Reference Parts Number | Parts Name |
|------|------------------------|--------------------------|
| 81 | Q301-311 | 2SC3281A/B1 2SC3281B1 |
| 82 | IC305 | MM74HC4053JX TCT4C4053AF |

| | J | U-C | R.T.K | A.L | B-S |
|---------|------------------|------------------|------------------|------------------|------------------|
| 81 J305 | ○ | ○ | X | X | ○ |
| 82 J306 | ○ | X | X | ○ | ○ |
| 83 R302 | X | X | 100K R030810 | 100K R030810 | 100K R030810 |
| 84 R305 | X | X | 100K R030810 | X | X |
| 85 | | | | | |
| 86 R409 | ○ | R030900 | ○ R030900 | ○ R030900 | X |
| 88 D310 | U0756-88 VU17290 | U0756-88 VU17290 | U0756-88 VU17290 | U0756-88 VU17290 | U0756-88 VU17290 |
| 89 R419 | R030722 20K | R030722 10K | R030715 20K | R030722 20K | R030722 20K |



..... : RX-V530/RX-V530RDS/HTR-5550/HTR-5550RDS/DSP-AX530 only

■ SCHEMATIC DIAGRAM (FUNCTION 2/2)



RX-V530/RX-V530RDS/HTR-5550/HTR-5550RDS/DSP-AX530 only

CAPACITOR

| REMARKS | PARTS NAME |
|---------|----------------------------------|
| NO MARK | ELECTROLYTIC CAPACITOR |
| ⊗ | TANTALUM CAPACITOR |
| NO MARK | CERAMIC CAPACITOR |
| ⊙ | CERAMIC TUBULAR CAPACITOR |
| ⊕ | POLYESTER FILM CAPACITOR |
| ○ | POLYSTYRENE FILM CAPACITOR |
| □ | MICA CAPACITOR |
| ⊖ | POLYPROPYLENE FILM CAPACITOR |
| ⊗ | SEMICONDUCTIVE CERAMIC CAPACITOR |

RESISTOR

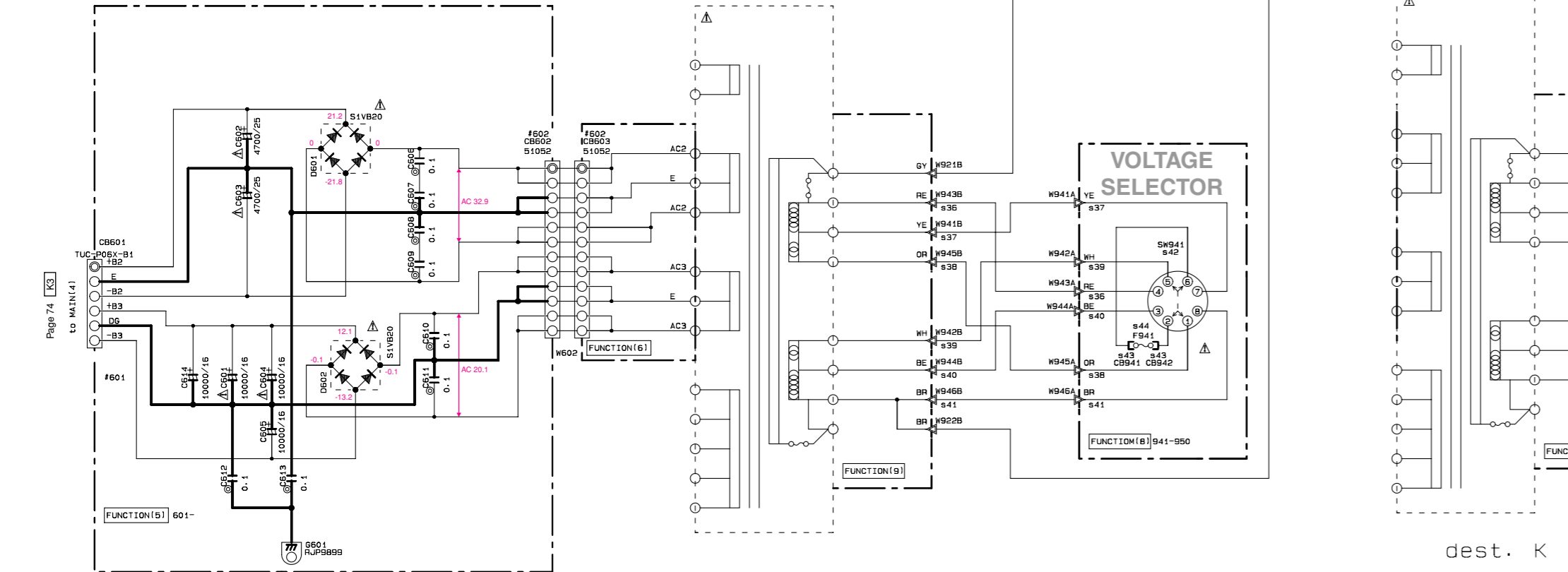
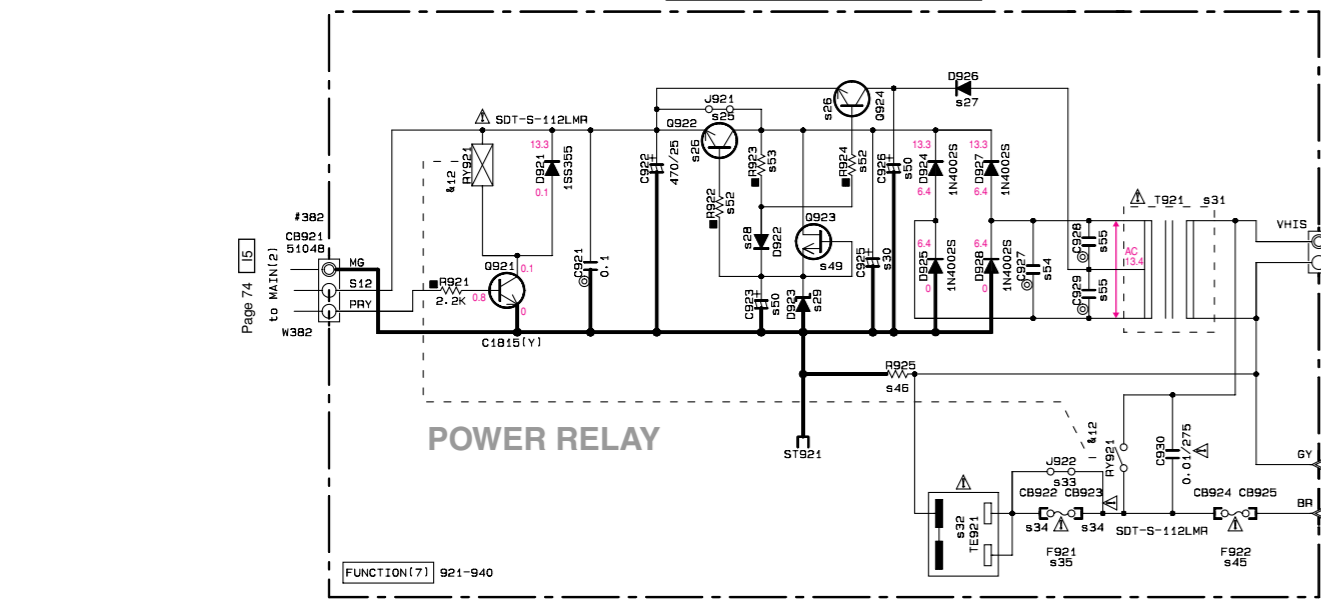
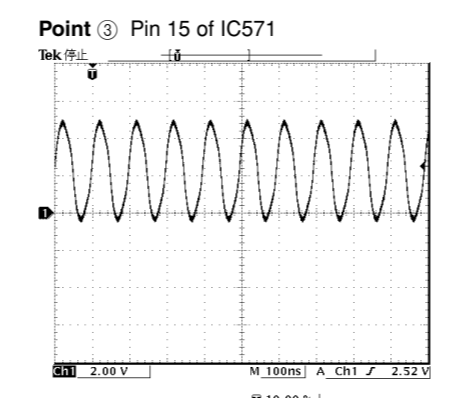
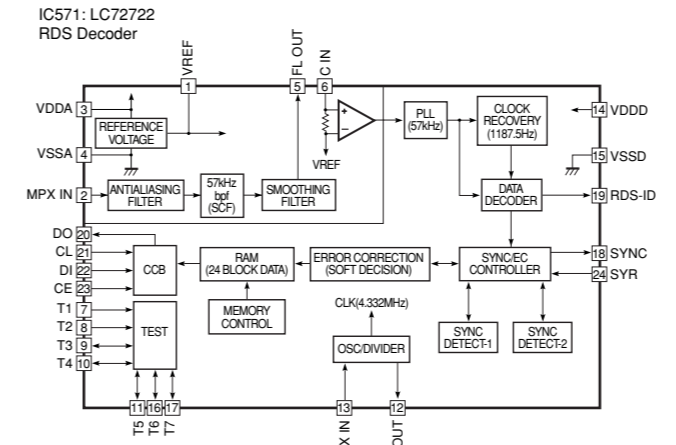
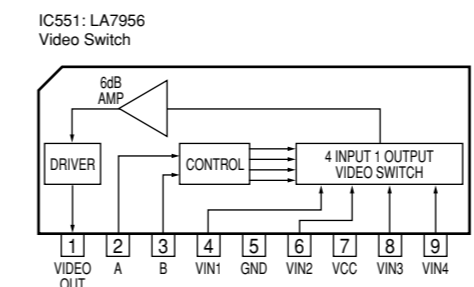
| REMARKS | PARTS NAME |
|---------|---------------------------------|
| NO MARK | CARBON FILM RESISTOR (P=5) |
| □ | CARBON FILM RESISTOR (P=10) |
| △ | METAL OXIDE FILM RESISTOR |
| ▲ | METAL FILM RESISTOR |
| ⊖ | METAL PLATE RESISTOR |
| ⊕ | FIRE PROOF CARBON FILM RESISTOR |
| □ | CEMENT MOLDED RESISTOR |
| ⊖ | SEMI VARIABLE RESISTOR |
| ⊗ | CHIP RESISTOR |

NOTICE (model)

(J)..... JAPANESE
 (U)..... U.S.A.
 (C)..... CANADIAN
 (R)..... GENERAL
 (A)..... AUSTRALIAN
 (B)..... BRITISH
 (G)..... EUROPEAN
 (T)..... CHINA
 (L)..... SINGAPORE

Interchangeable Parts at Manufacture-Stage

| Mark | Reference Parts Number | Parts Name |
|------|------------------------|---|
| k11 | | |
| k12 | RY921 | SDT-S-112LMR D01201-01M11 ALK9301 |
| k13 | Q572 | RSC174981A/B1 RSC86031E/F1 RSC331A1Q/A/S1 |
| k14 | | |



| | J | U.C | R.T | A | B | G | L | K |
|-----|--------------|-------------------|-------------------|------------------------|------------------------|------------------------|------------------------|------------------------|
| s10 | SW571 | X | X | P029M/B V362430 | X | X | X | X |
| s11 | IC571 | X | X | X | LC72722 XY53440 | LC72722 XY53440 | X | X |
| s12 | XL571 | X | X | X | 4.33MHz V393090 | 4.33MHz V393090 | X | X |
| s13 | CS77-578 | X | X | X | 27PCH VA76110 | 27PCH VA76110 | X | X |
| s14 | CS75-576 | X | X | X | 330P US06233 | 330P US06233 | X | X |
| s15 | CS81 | X | X | X | 560P US06256 | 560P US06256 | X | X |
| s16 | CS82 | X | X | X | 0.1/16 US13510 | 0.1/16 US13510 | X | X |
| s17 | CS79-580-583 | X | X | X | 47/25 UR83747 | 47/25 UR83747 | X | X |
| s18 | R576 | X | X | X | 100 R035510 | 100 R035510 | X | X |
| s19 | R579-580 | X | X | X | 470 R035547 | 470 R035547 | X | X |
| s20 | R577-578 | X | X | X | 10K R035710 | 10K R035710 | X | X |
| s21 | R575 | X | X | X | 22K R035722 | 22K R035722 | X | X |
| s22 | L571 | X | X | X | 200uH VUB8950 | 200uH VUB8950 | X | X |
| s23 | Q572 | X | X | X | IC17402 | IC17402 | X | X |
| s24 | R574 | X | X | X | 3.3K R035633 | 3.3K R035633 | X | X |
| s25 | J921 | 0 | 0 | 0 | 0 | 0 | 0 | 0 |
| s26 | Q922-924 | X | X | D03961U/K1 V051080 | X | X | X | X |
| s27 | D926 | X | X | 1M40025 V330770 | X | X | X | X |
| s28 | D922 | X | X | 1S5305 V133290 | X | X | X | X |
| s29 | D923 | X | X | U07138 VU17290 | X | X | X | X |
| s30 | CS85 | X | X | 10/100 UR89710 | X | X | X | X |
| s31 | T921 | XW605 | XW605 | XW974 | XW608 | XW608 | XW608 | XW608 |
| s32 | TE921 | VU54310 | VU54310 | V586740 | V191500 | VU54330 | VU54340 | VU54340 |
| s33 | J922 | 0 | 0 | 0 | 0 | 0 | 0 | 0 |
| s34 | CB922-923 | X | X | X | X | VP20650 | VP20650 | X |
| s35 | F921 | X | X | X | X | T2.15A1250V V184290 | T2.15A1250V V184290 | X |
| s36 | W943 | X | X | MH02614 | X | X | X | X |
| s37 | W941 | X | X | MH04620 | X | X | X | X |
| s38 | W945 | X | X | MH03620 | X | X | X | X |
| s39 | W942 | X | X | MH09618 | X | X | X | X |
| s40 | W944 | X | X | MH06520 | X | X | X | X |
| s41 | W946 | X | X | MH01625 | X | X | X | X |
| s42 | SW941 | X | X | V718230 | X | X | X | X |
| s43 | CB941-942 | X | X | VP20650 | X | X | X | X |
| s44 | F941 | X | X | T3.15A1250V H800076 | X | X | X | X |
| s45 | F922 | 7A125V V920990 | 7A125V V920990 | 7A125V V920990 | T3.15A1250V H800076 | T3.15A1250V H800076 | T3.15A1250V H800076 | T3.15A1250V H800076 |
| s46 | R925 | X | X | 1/250.2W V673000 | X | X | X | X |
| s49 | Q923 | X | X | K2471Y1 IE12062 | X | X | X | X |
| s50 | CS23-926 | X | X | 10/53 UR87710 | X | X | X | X |
| s52 | R922-924 | X | X | 100 R035510 | X | X | X | X |
| s53 | R923 | X | X | 68K R035768 | X | X | X | X |
| s54 | CS27 | 0.01 UA65410 | 0.01 UA65410 | X | 0.01 UA65410 | 0.01 UA65410 | 0.01 UA65410 | 0.01 UA65410 |
| s55 | CR928-929 | X | X | 0.01 UA65410 | X | X | X | X |
| s56 | CS92 | X | X | X | 100P US06510 | 100P US06510 | X | X |
| s57 | R928 | X | X | X | 150K R035810 | 100K R035810 | X | X |
| s58 | R933 | X | X | X | 33K R035733 | 33K R035733 | X | X |
| s59 | W947 | X | X | X | X | X | X | MH06607 |

X: NOT USED
 O: USED / APPLICABLE

★ All voltages are measured with a 10MΩ/V DC electric volt meter.
 ★ Components having special characteristics are marked Δ and must be replaced with parts having specifications equal to those originally installed.
 ★ Schematic diagram is subject to change without notice.

● 電圧は、内部抵抗10MΩの電圧計で測定したものです。
 ● Δ 印のある部品は、安全性確保部品を示しています。部品の交換が必要な場合、パーツリストに記載されている部品を使用してください。
 ● 本回路図は標準回路図です。改良のため予告なく変更することがございます。

SCHEMATIC DIAGRAM (OPERATION)

| CAPACITOR | |
|-----------|--------------------------------------|
| REMARKS | PARTS NAME |
| NO MARK | ELECTROLYTIC CAPACITOR |
| ⊗ | TANTALUM CAPACITOR |
| NO MARK | CERAMIC CAPACITOR |
| ● | CERAMIC TUBULAR CAPACITOR |
| ○ | POLYESTER FILM CAPACITOR |
| ○ | POLYSTYRENE FILM CAPACITOR |
| ○ | MICA CAPACITOR |
| ○ | POLYPROPYLENE FILM CAPACITOR |
| ○ | SEMICONDUCTIVE CERAMIC CAPACITOR |
| ○ | POLYPHENYLENE SULFIDE FILM CAPACITOR |

| RESISTOR | |
|----------|---------------------------------|
| REMARKS | PARTS NAME |
| NO MARK | CARBON FILM RESISTOR (P=5) |
| □ | CARBON FILM RESISTOR (P=10) |
| △ | METAL OXIDE FILM RESISTOR |
| △ | METAL FILM RESISTOR |
| □ | METAL PLATE RESISTOR |
| □ | FIRE PROOF CARBON FILM RESISTOR |
| □ | CEMENT MOLDED RESISTOR |
| □ | SEMI VARIABLE RESISTOR |
| □ | CHIP RESISTOR |

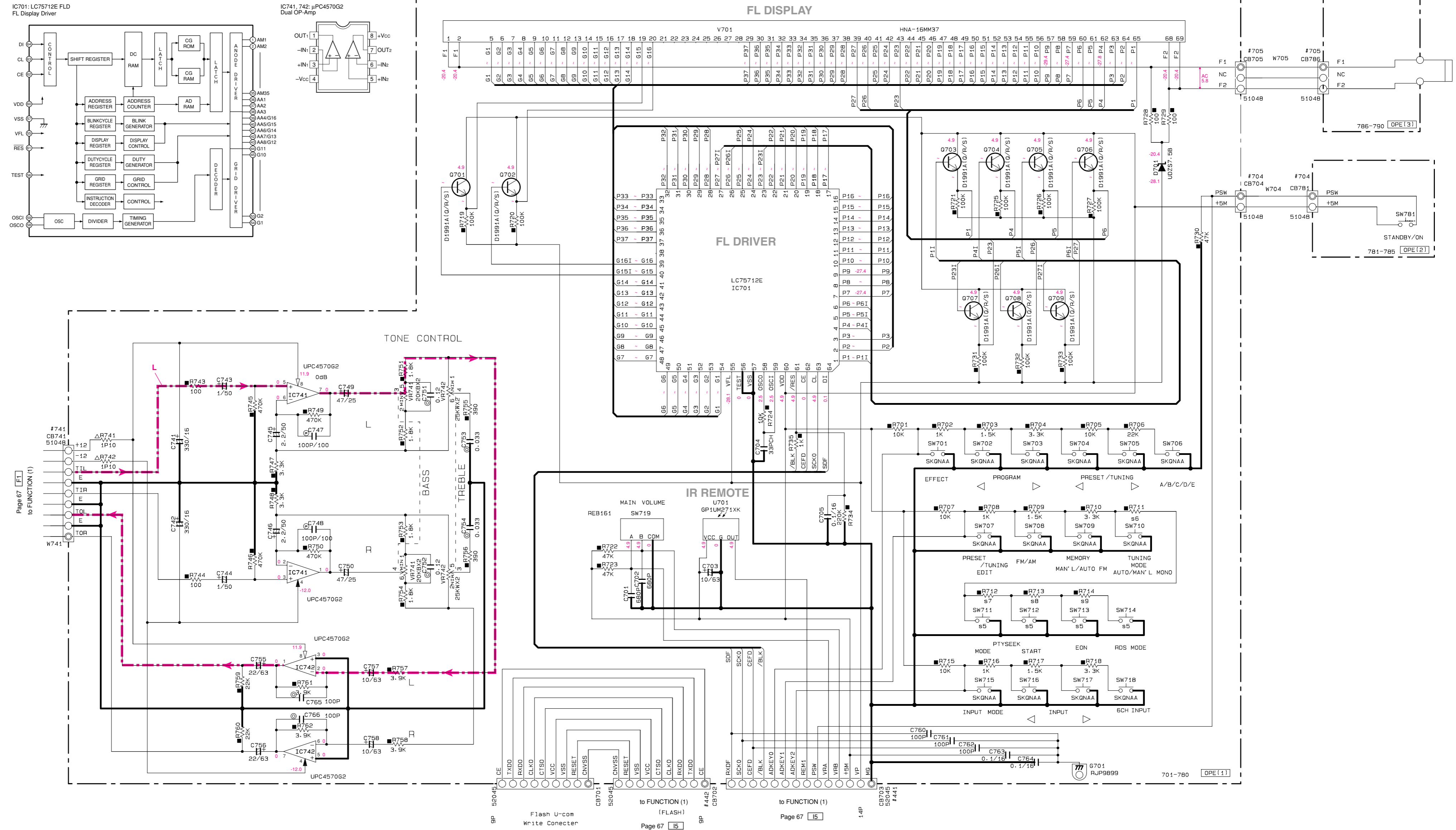
NOTICE (model)
(J)..... JAPANESE
(U)..... U.S.A
(C)..... CANADIAN
(R)..... GENERAL
(A)..... AUSTRALIAN
(B)..... BRITISH
(G)..... EUROPEAN
(T)..... CHINA
(L)..... SINGAPORE

| | J. U. C. R. T K. A. L | B. G |
|----|--------------------------|----------------------|
| S5 | SW711-714 | × VVO2030 |
| S6 | R711 | × 10K RD35710 |
| S7 | R712 | × 22K RD35722 |
| S8 | R713 | × 47K RD35747 |
| S9 | R714 | × 220K RD35822 |

- ★ All voltages are measured with a 10MΩV DC electric volt meter.
- ★ Components having special characteristics are marked / and must be replaced with parts having specifications equal to those originally installed.
- ★ Schematic diagram is subject to change without notice.

- 電圧は、内部抵抗10MΩの電圧計で測定したものです。
- /印のある部品は、安全性確保部品を示しています。部品の交換が必要な場合、パーツリストに記載されている部品を使用してください。
- 本回路図は標準回路図です。改良のため予告なく変更することがございます。

× NOT USED
○ USED / APPLICABLE



Page 67 [ET] to FUNCTION (1)

Flash U-com Write Connector to FUNCTION (1) (FLASH) Page 67 [IS]

to FUNCTION (1) Page 67 [IS]

701-780 [OPE(1)]

■ SCHEMATIC DIAGRAM (DSP)

RESISTOR

| REMARKS | PARTS NAME |
|---------|---------------------------------|
| NO MARK | CARBON FILM RESISTOR (P=5) |
| □ | CARBON FILM RESISTOR (P=10) |
| △ | METAL OXIDE FILM RESISTOR |
| ◇ | METAL FILM RESISTOR |
| ○ | METAL PLATE RESISTOR |
| ◇ | FIRE PROOF CARBON FILM RESISTOR |
| ◇ | CEMENT MOLDED RESISTOR |
| ◇ | SEMI VARIABLE RESISTOR |
| ◇ | CHIP RESISTOR |

CAPACITOR

| REMARKS | PARTS NAME |
|---------|--------------------------------------|
| NO MARK | ELECTROLYTIC CAPACITOR |
| □ | TANTALUM CAPACITOR |
| ○ | CERAMIC CAPACITOR |
| ○ | CERAMIC TUBULAR CAPACITOR |
| ○ | POLYESTER FILM CAPACITOR |
| ○ | POLYSTYRENE FILM CAPACITOR |
| ○ | MICA CAPACITOR |
| ○ | POLYPROPYLENE FILM CAPACITOR |
| ○ | SEMICONDUCTIVE CERAMIC CAPACITOR |
| ○ | POLYPHENYLENE SULFIDE FILM CAPACITOR |

IC601: MSM514260C-60J5
 4Mb DRAM

IC602: PQ05E25MZP
 Regulator

IC603: μPC29M33T-E1
 Voltage Regulator

IC604: CS483292-CLR
 Audio Decoder

IC605: NJM2904M
 Dual OP-Amp

IC606: TC74HCT04F
 Quad 2-Input NAND Gate

IC607: TC74HCU04F
 Hex Inverters

IC608: CV2256LL
 Static RAM

IC609: XC6572XL-10TQ100C
 CPLD

IC610: TC74HCT08F
 Quad 2-Input And Gate

IC611: AK4527BVO
 24bit CODEC

IC612: μPC45702G
 Dual OP-Amp

IC613: μPC45703G
 Dual OP-Amp

IC614: μPC45702G
 Dual OP-Amp

IC615: μPC45703G
 Dual OP-Amp

IC616: μPC45702G
 Dual OP-Amp

IC617: μPC45703G
 Dual OP-Amp

IC618: μPC45702G
 Dual OP-Amp

IC619: μPC45703G
 Dual OP-Amp

IC620: μPC45702G
 Dual OP-Amp

IC621: μPC45703G
 Dual OP-Amp

IC622: μPC45702G
 Dual OP-Amp

IC623: μPC45703G
 Dual OP-Amp

IC624: μPC45702G
 Dual OP-Amp

IC625: μPC45703G
 Dual OP-Amp

IC626: μPC45702G
 Dual OP-Amp

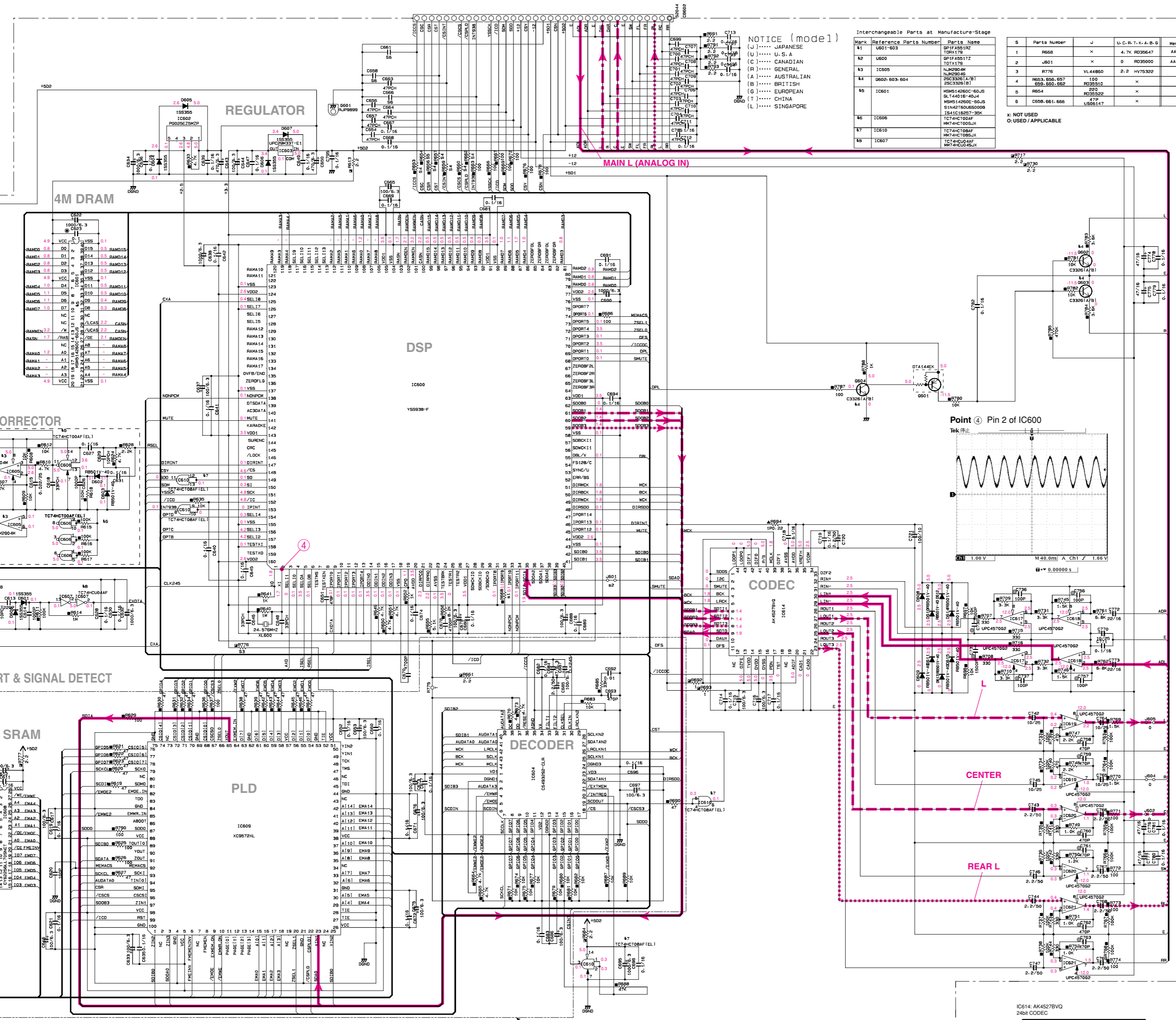
IC627: μPC45703G
 Dual OP-Amp

IC628: μPC45702G
 Dual OP-Amp

IC629: μPC45703G
 Dual OP-Amp

IC630: μPC45702G
 Dual OP-Amp

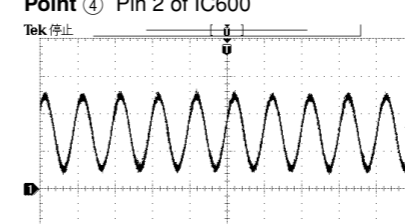
IC631: μPC45703G
 Dual OP-Amp



NOTICE (model)
 (J)..... JAPANESE
 (U)..... U.S.A
 (C)..... CANADIAN
 (D)..... GENERAL
 (A)..... AUSTRALIAN
 (B)..... BRITISH
 (G)..... EUROPEAN
 (T)..... CHINA
 (L)..... SINGAPORE

Interchangeable Parts at Manufacture-Stage

| Mark | Reference Parts Number | Parts Name | S | J | U.C.R.T.K.A.B.S | MEMO |
|------|------------------------|----------------------|---|---|------------------------|------|
| K1 | U601-603 | SP1FA0512 TORX175 | × | × | 4.7K R030647 | AAC |
| K2 | U600 | SP1FA0512 TORX175 | × | × | 4.7K R030647 | AAC |
| K3 | IC605 | MSM514260C-60J5 | × | × | 4Mb DRAM | |
| K4 | 9002-603-604 | MSM514260C-60J5 | × | × | 4Mb DRAM | |
| K5 | IC601 | MSM514260C-60J5 | × | × | 4Mb DRAM | |
| K6 | IC606 | TC74HCT08F | × | × | Quad 2-Input And Gate | |
| K7 | IC610 | TC74HCT08F | × | × | Quad 2-Input And Gate | |
| K8 | IC607 | TC74HCT04F | × | × | Quad 2-Input NAND Gate | |

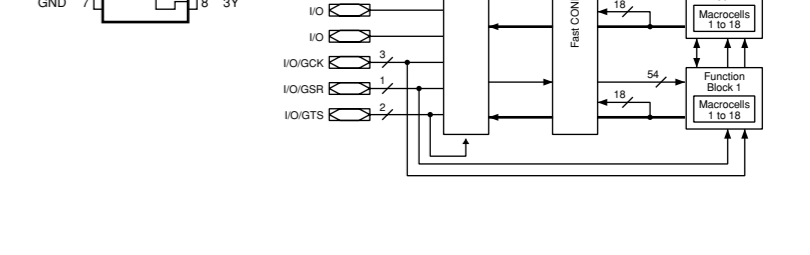
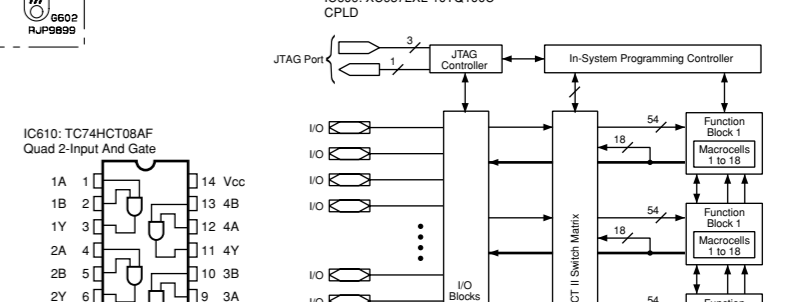
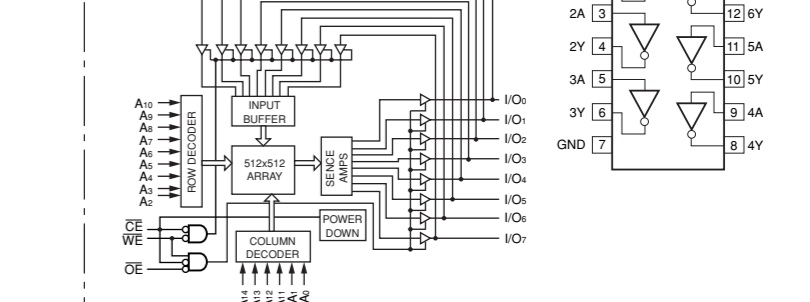
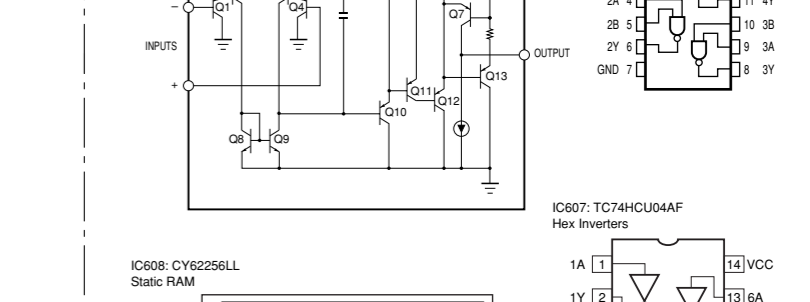
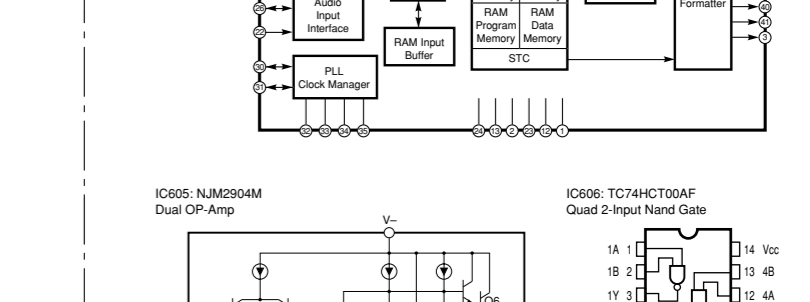
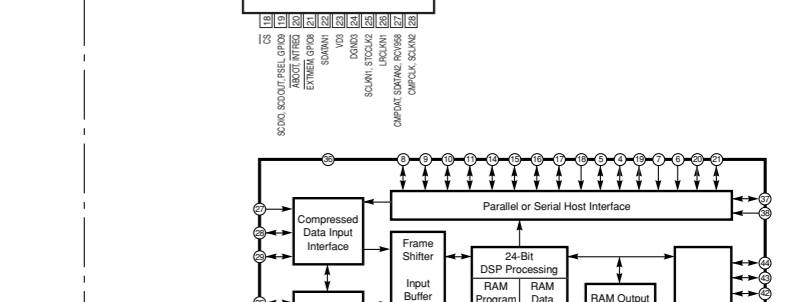
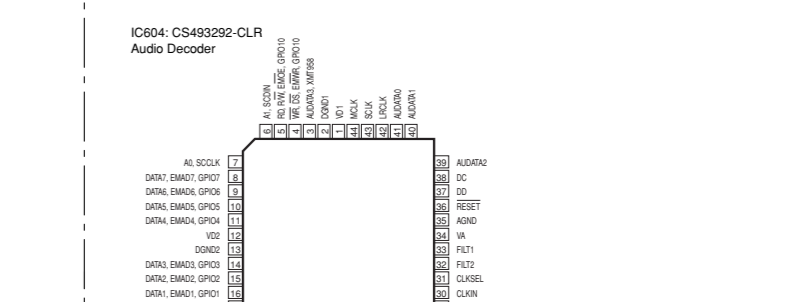
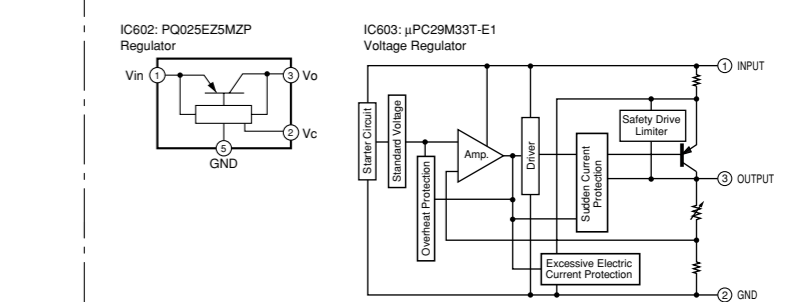
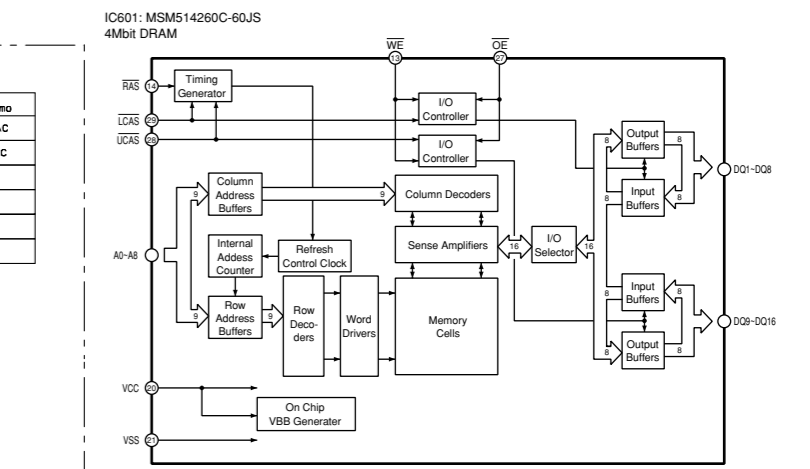
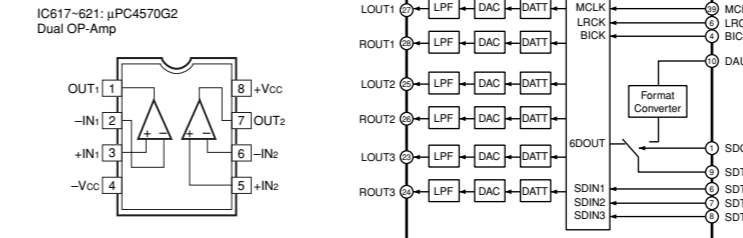


■ RX-V530/RX-V530RDS/HTR-5550/HTR-5550RDS/DSP-AX530 only

J model only
 (DSP-AX530/DSP-AX430)

- ★ All voltages are measured with a 10MΩ/DC electric volt meter.
- ★ Components having special characteristics are marked Δ and must be replaced with parts having specifications equal to those originally installed.
- ★ Schematic diagram is subject to change without notice.

- 電圧は、内部抵抗10MΩの電圧計で測定したものです。
- Δ 印のある部品は、安全性確保部品を示しています。部品の交換が必要な場合、パーツリストに記載されている部品を使用してください。
- 本回路図は標準回路図です。改良のため予告なく変更することがございます。



SCHEMATIC DIAGRAM (VIDEO) RX-V530/RX-V530RDS/HTR-5550/HTR-5550RDS/DSP-AX530 only

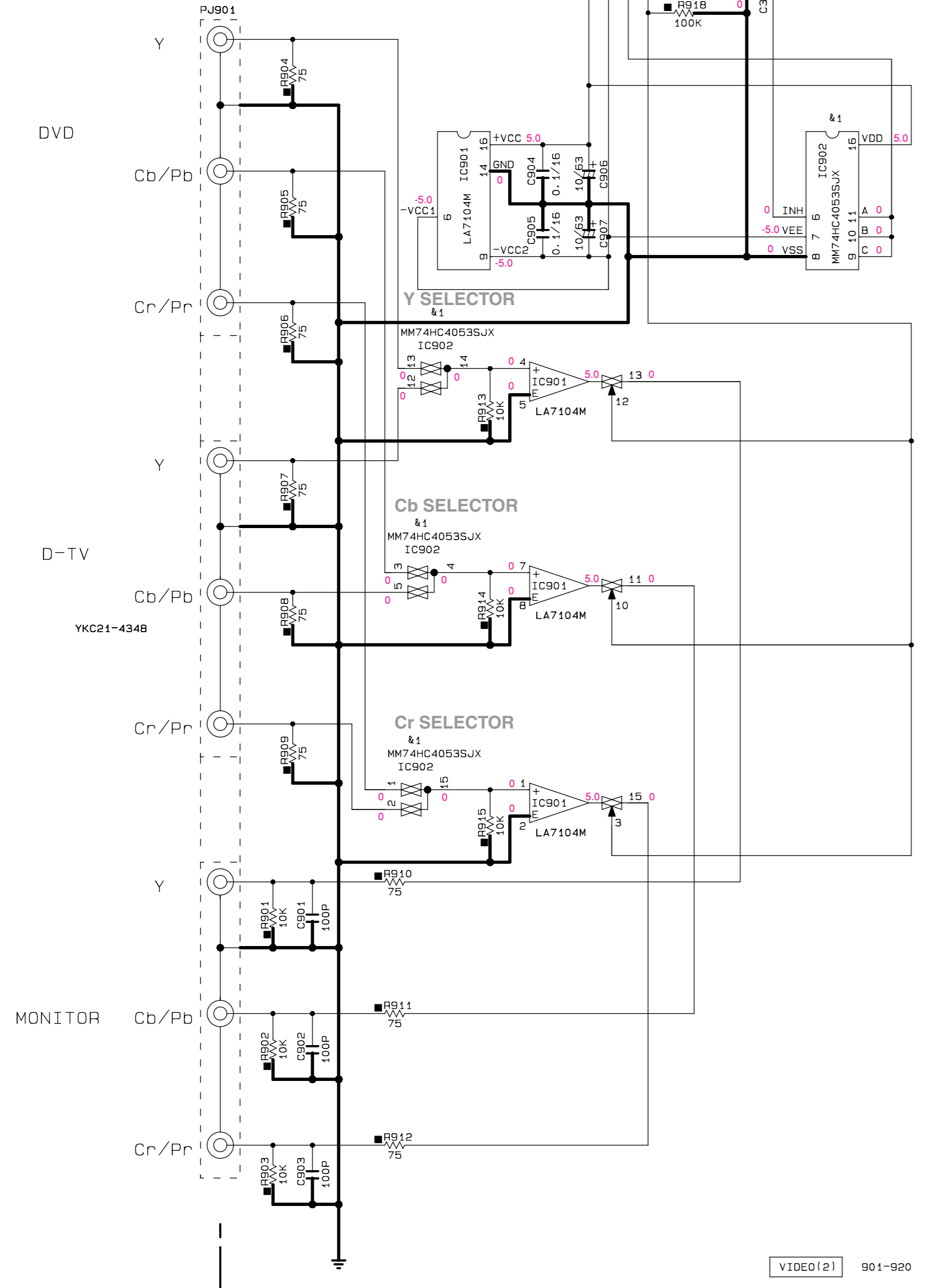
RX-V530/RX-V530RDS/HTR-5550/HTR-5550RDS/DSP-AX530
RX-V430/RX-V430RDS/HTR-5540/HTR-5540RDS/DSP-AX430

NOTICE (model)

- (J)..... JAPANESE
- (U)..... U.S.A
- (C)..... CANADIAN
- (R)..... GENERAL
- (A)..... AUSTRALIAN
- (B)..... BRITISH
- (G)..... EUROPEAN
- (T)..... CHINA
- (L)..... SINGAPORE

| | | |
|-------|------|------|
| COMP1 | CMP0 | |
| H | H | DVD |
| L | L | D-TV |
| L | * | INH |

TPより CMP0 反転



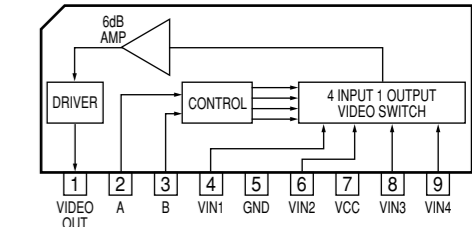
RESISTOR

| REMARKS | PARTS NAME |
|---------|---------------------------------|
| NO MARK | CARBON FILM RESISTOR (P=5) |
| □ | CARBON FILM RESISTOR (P=10) |
| △ | METAL FILM RESISTOR |
| ⊠ | METAL PLATE RESISTOR |
| ▢ | FIRE PROOF CARBON FILM RESISTOR |
| ■ | CEMENT MOLDED RESISTOR |
| ◊ | SEMI VARIABLE RESISTOR |
| ■ | CHIP RESISTOR |

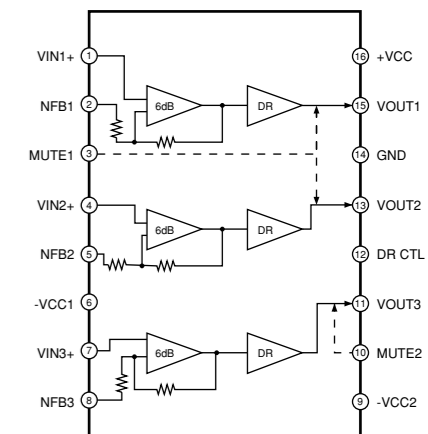
CAPACITOR

| REMARKS | PARTS NAME |
|---------|----------------------------------|
| NO MARK | ELECTROLYTIC CAPACITOR |
| ⊗ | TANTALUM CAPACITOR |
| NO MARK | CERAMIC CAPACITOR |
| ● | CERAMIC TUBULAR CAPACITOR |
| ◎ | POLYESTER FILM CAPACITOR |
| ○ | POLYSTYRENE FILM CAPACITOR |
| ⊖ | MICA CAPACITOR |
| Ⓟ | POLYPROPYLENE FILM CAPACITOR |
| ⊙ | SEMICONDUCTIVE CERAMIC CAPACITOR |

IC801, 802: LA7956
Video Switch



IC901: LA7104M
Video Amp



MONITOR

DVD/LD

D-TV

OUT

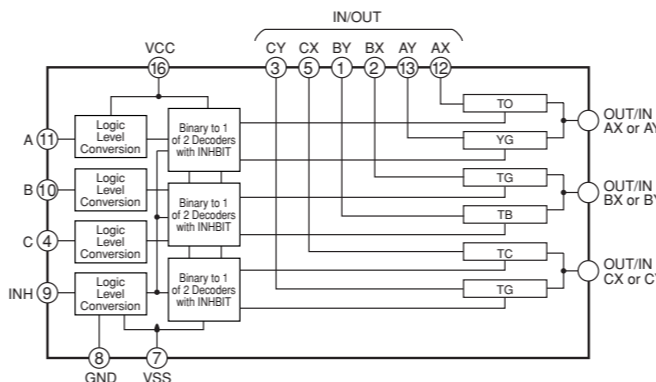
VCR

| | | |
|-----|-----|------|
| VIA | VIB | |
| H | H | DVD |
| L | H | D-TV |
| H | L | VCR |
| L | L | INH |

Interchangeable Parts at Manufacture-Stage

| Mark | Reference Parts Number | Parts Name |
|------|------------------------|-------------------------------|
| &1 | IC902 | MM74HC4053SJX TC74HC4053AF |
| &2 | Q901 | 2SC3326[A/B] 2SC3326[B] |

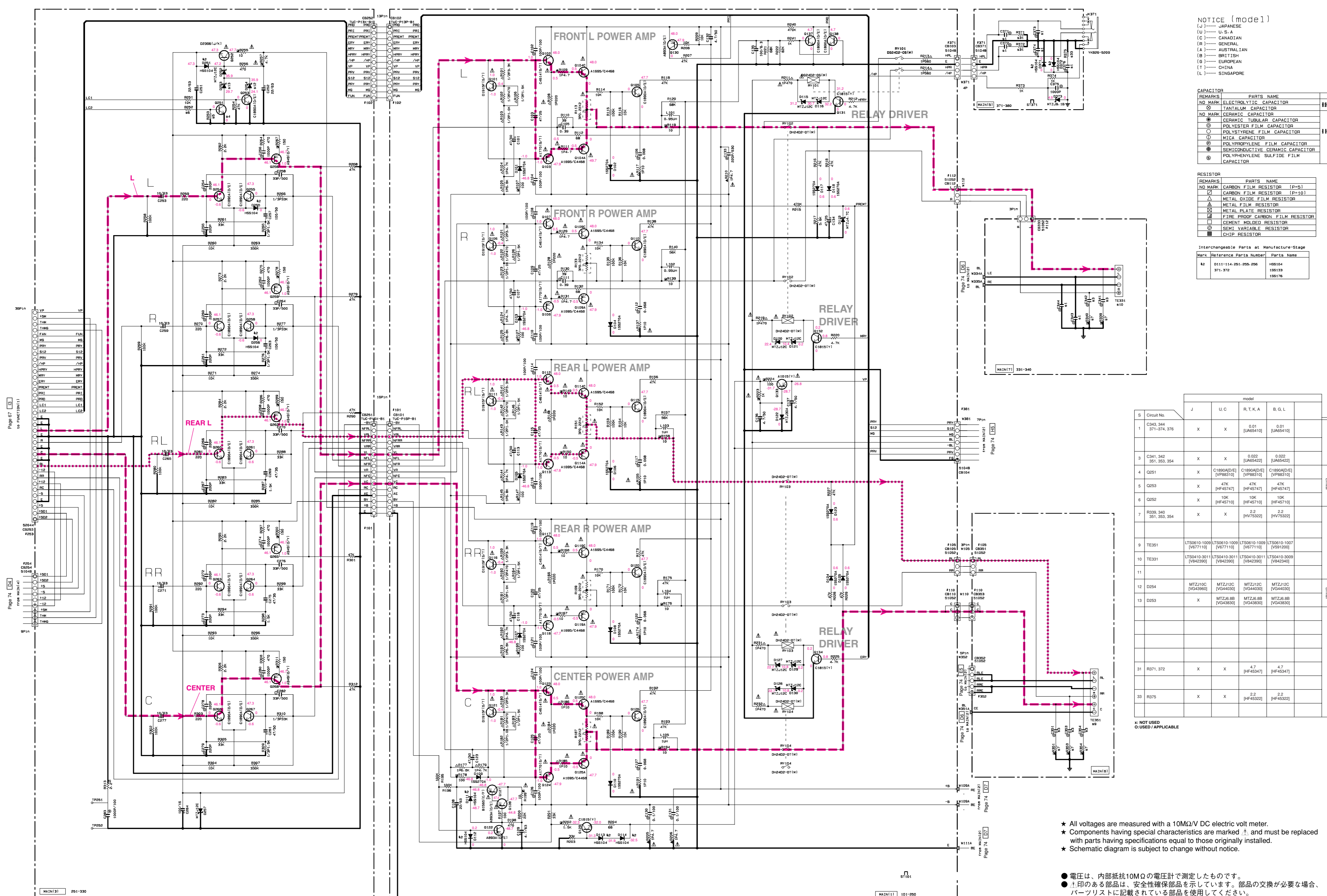
IC902: MM74HC4053SJX
Triple 2-Channel Analog Multiplexer



- ★ All voltages are measured with a 10MΩ/V DC electric volt meter.
- ★ Components having special characteristics are marked ⚠ and must be replaced with parts having specifications equal to those originally installed.
- ★ Schematic diagram is subject to change without notice.

- 電圧は、内部抵抗10MΩの電圧計で測定したものです。
- ⚠印のある部品は、安全性確保部品を示しています。部品の交換が必要な場合、パーツリストに記載されている部品を使用してください。
- 本回路図は標準回路図です。改良のため予告なく変更することがございます。

SCHEMATIC DIAGRAM (MAIN 1/2) RX-V530/RX-V530RDS/HTR-5550/HTR-5550RDS/DSP-AX530/RX-V430RDS/HTR-5540RDS only



NOTICE (model)

- (J)..... JAPANESE
- (U)..... U.S.A.
- (C)..... CANADIAN
- (R)..... GENERAL
- (A)..... AUSTRALIAN
- (B)..... BRITISH
- (G)..... EUROPEAN
- (T)..... CHINA
- (L)..... SINGAPORE

| REMARKS | PARTS NAME |
|---------|--------------------------------------|
| NO MARK | ELECTROLYTIC CAPACITOR |
| ⊙ | TANTALUM CAPACITOR |
| NO MARK | CERAMIC CAPACITOR |
| ⊙ | CERAMIC TUBULAR CAPACITOR |
| ⊙ | POLYESTER FILM CAPACITOR |
| ○ | POLYSTYRENE FILM CAPACITOR |
| ⊙ | MICA CAPACITOR |
| ⊙ | POLYPROPYLENE FILM CAPACITOR |
| ⊙ | SEMICONDUCTIVE CERAMIC CAPACITOR |
| ⊙ | POLYPHENYLENE SULFIDE FILM CAPACITOR |

| REMARKS | PARTS NAME |
|---------|------------------------------------|
| NO MARK | CARBON FILM RESISTOR (P=5) |
| ⊙ | CARBON FILM RESISTOR (P=10) |
| △ | METAL OXIDE FILM RESISTOR |
| △ | METAL FILM RESISTOR |
| ⊙ | METAL PLATE RESISTOR |
| ⊙ | FIRE PROOF CARBON FILM RESISTOR |
| ⊙ | CEMENT MOLDED CARBON FILM RESISTOR |
| ⊙ | SEMI-VARIABLE RESISTOR |
| ⊙ | CHIP RESISTOR |

Interchangeable Parts at Manufacture-Stage

| Mark | Reference Parts Number | Parts Name |
|------|-------------------------|------------|
| △ | D111-114, 201, 206, 206 | H68104 |
| | 371-372 | 168133 |
| | | 168176 |

| S | Circuit No. | J | U.C | R.T.K.A | B.G.L |
|----|----------------------------|---|-----|---------------------------|---------------------------|
| 1 | C343, 344 371-374, 376 | X | X | 0.01 (UA65410) | 0.01 (UA65410) |
| 3 | C341, 342 351, 353, 354 | X | X | 0.022 (UA65422) | 0.022 (UA65422) |
| 4 | Q251 | X | | C1890A(D/E) (VFB6310) | C1890A(D/E) (VFB6310) |
| 5 | Q253 | X | | 47K (HF45747) | 47K (HF45747) |
| 6 | Q252 | X | | 10K (HF45710) | 10K (HF45710) |
| 7 | R339, 340 351, 353, 354 | X | X | 2.2 (HV75322) | 2.2 (HV75322) |
| 9 | TE351 | | | LTS0610-1009 (V677110) | LTS0610-1007 (V677110) |
| 10 | TE331 | | | LTS0410-3011 (V642390) | LTS0410-3011 (V642390) |
| 11 | | | | | |
| 12 | Q254 | | | MTZJ10C (VG43900) | MTZJ10C (VG44030) |
| 13 | D253 | X | | MTZJ6.8B (VG43830) | MTZJ6.8B (VG43830) |
| 31 | R371, 372 | X | X | 4.7 (HF45347) | 4.7 (HF45347) |
| 33 | R375 | X | X | 2.2 (HF45322) | 2.2 (HF45322) |

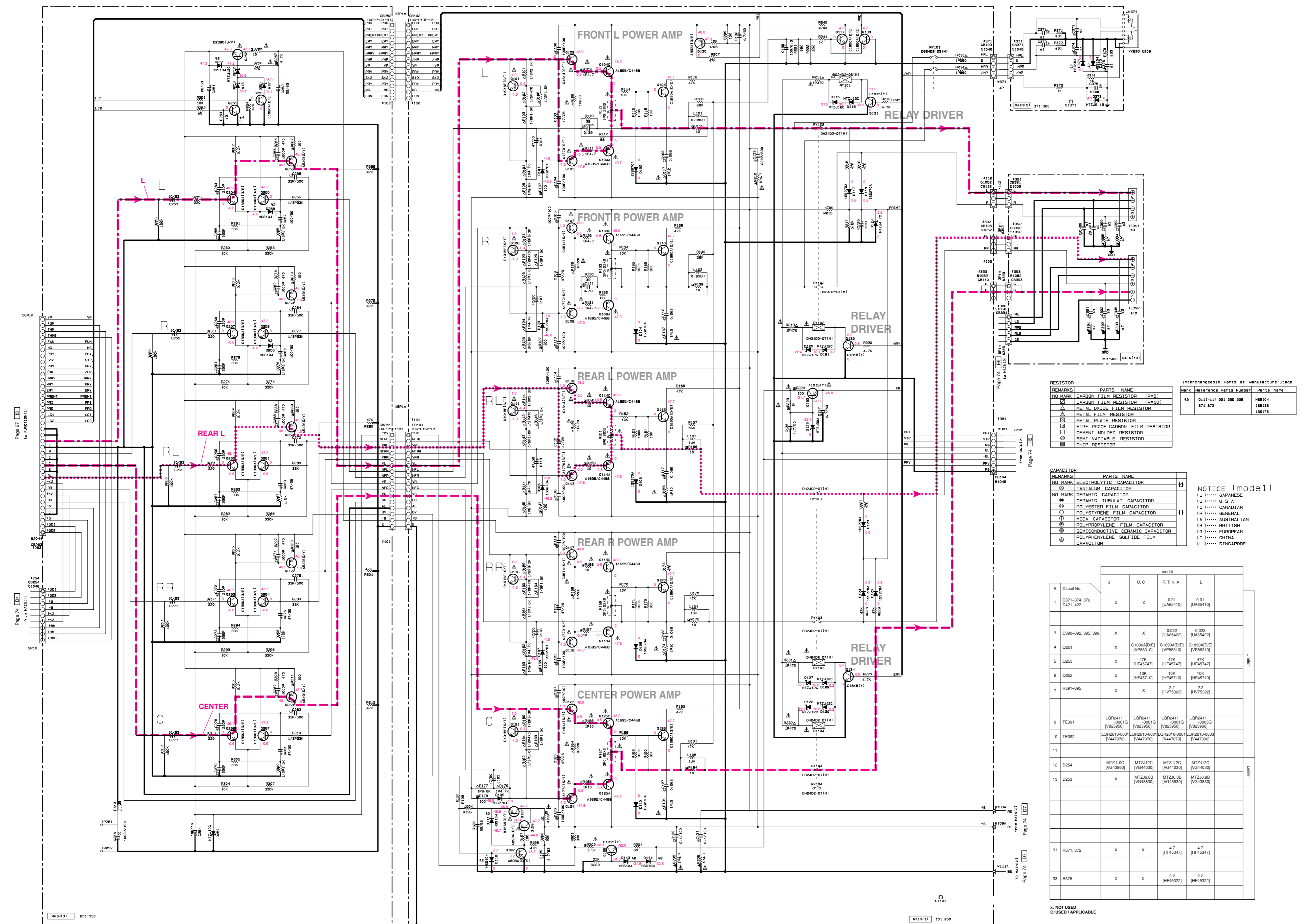
X: NOT USED
 O: USED / APPLICABLE

- ★ All voltages are measured with a 10MΩ/V DC electric volt meter.
- ★ Components having special characteristics are marked △ and must be replaced with parts having specifications equal to those originally installed.
- ★ Schematic diagram is subject to change without notice.

- 電圧は、内部抵抗10MΩの電圧計で測定したものです。
- △印のある部品は、安全性確保部品を示しています。部品の交換が必要な場合、パーツリストに記載されている部品を使用してください。
- 本回路図は標準回路図です。改良のため予告なく変更することがございます。

SCHEMATIC DIAGRAM (MAIN 1/2) RX-V530/HTR-5540/DSP-AX430 only

RX-V530/RX-V530RDS/HTR-5550/HTR-5550RDS/DSP-AX530
RX-V430/RX-V430RDS/HTR-5540/HTR-5540RDS/DSP-AX430



| REMARKS | PARTS NAME | Interchangeable Parts at Manufacture-Stage |
|---------|---------------------------------|--|
| NO MARK | CARBON FILM RESISTOR (P=5) | Mark Reference Parts Number Parts Name |
| □ | CARBON FILM RESISTOR (P=10) | 40 0111-114, 251, 255, 256 H95104 |
| △ | METAL OXIDE FILM RESISTOR | 371, 372 155133 |
| ○ | METAL FILM RESISTOR | |
| □ | METAL PLATE RESISTOR | |
| ■ | FIRE PROOF CARBON FILM RESISTOR | |
| □ | CEMENT MOLDED RESISTOR | |
| ○ | SEMI-VARIABLE RESISTOR | |
| ■ | CHIP RESISTOR | |

| REMARKS | PARTS NAME | NOTICE (model) |
|---------|--------------------------------------|---------------------|
| NO MARK | ELECTROLYTIC CAPACITOR | (J)..... JAPANESE |
| ○ | TANTALUM CAPACITOR | (U)..... U.S.A |
| □ | CERAMIC CAPACITOR | (C)..... CANADIAN |
| ○ | CERAMIC TUBULAR CAPACITOR | (R)..... GENERAL |
| ○ | POLYSTYRENE FILM CAPACITOR | (A)..... AUSTRALIAN |
| ○ | MICA CAPACITOR | (B)..... BRITISH |
| ○ | POLYPROPYLENE FILM CAPACITOR | (G)..... EUROPEAN |
| ○ | SEMICONDUCTIVE CERAMIC CAPACITOR | (T)..... CHINA |
| ○ | POLYPHENYLENE SULFIDE FILM CAPACITOR | (L)..... SINGAPORE |

| S | Circuit No. | J | U.C | R.T.K.A | L |
|----|----------------------------|---------------------------|---------------------------|---|---------------------------|
| 1 | C371-374, 376 C421, 422 | X | X | 0.01 [UA65410] | 0.01 [UA65410] |
| 3 | C390-392, 395, 399 | X | X | 0.022 [UA65422] | 0.022 [UA65422] |
| 4 | Q251 | X | | C1890A(D/E) [VP98310] C1890A(D/E) [VP98310] C1890A(D/E) [VP98310] | |
| 5 | Q253 | X | | 47K [HF45747] 47K [HF45747] | |
| 6 | Q252 | X | | 10K [HF45710] 10K [HF45710] 10K [HF45710] | |
| 7 | R391-395 | X | X | 2.2 [HV75322] 2.2 [HV75322] | |
| 9 | TE391 | LQR2411 [Q2510] [V829550] | LQR2411 [Q2510] [V829550] | LQR2411 [Q2510] [V829550] | LQR2411 [Q2510] [V829550] |
| 10 | TE392 | LQR2610-0001 [V447070] | LQR2610-0001 [V447070] | LQR2610-0001 [V447070] | LQR2610-0003 [V447090] |
| 11 | | | | | |
| 12 | D254 | MT2J10C [VG43960] | MT2J10C [VG44030] | MT2J10C [VG44030] | MT2J10C [VG44030] |
| 13 | D253 | X | | MT2J6.8B [VG43930] | MT2J6.8B [VG43930] |
| 31 | R371, 372 | X | X | 4.7 [HF45347] | 4.7 [HF45347] |
| 33 | R375 | X | X | 2.2 [HF45322] | 2.2 [HF45322] |

x: NOT USED
o: USED/APPLICABLE

★ All voltages are measured with a 10MΩ/V DC electric volt meter.
★ Components having special characteristics are marked ! and must be replaced with parts having specifications equal to those originally installed.
★ Schematic diagram is subject to change without notice.

● 電圧は、内部抵抗10MΩの電圧計で測定したものです。
● !印のある部品は、安全性確保部品を示しています。部品の交換が必要な場合、パーツリストに記載されている部品を使用してください。
● 本回路図は標準回路図です。改良のため予告なく変更することがございます。

■ SCHEMATIC DIAGRAM / 総回路図 (MAIN 2/2)

RESISTOR

| REMARKS | PARTS NAME |
|---------|---------------------------------|
| NO MARK | CARBON FILM RESISTOR (P=5) |
| □ | CARBON FILM RESISTOR (P=10) |
| △ | METAL OXIDE FILM RESISTOR |
| ▲ | METAL FILM RESISTOR |
| ⊠ | METAL PLATE RESISTOR |
| ▨ | FIRE PROOF CARBON FILM RESISTOR |
| □ | CEMENT MOLDED RESISTOR |
| ⊗ | SEMI VARIABLE RESISTOR |
| ■ | CHIP RESISTOR |

CAPACITOR

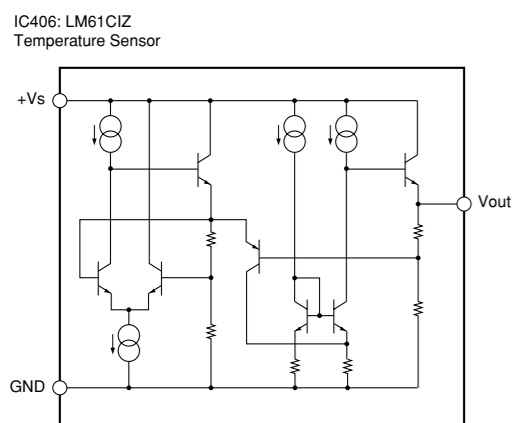
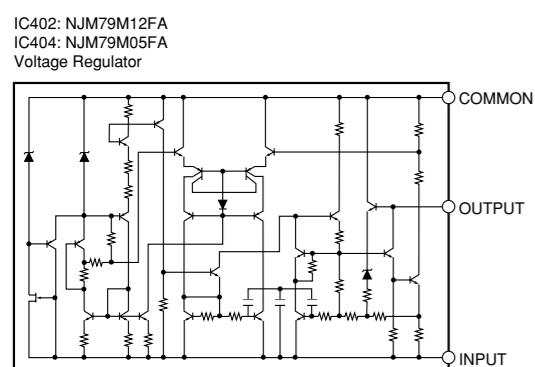
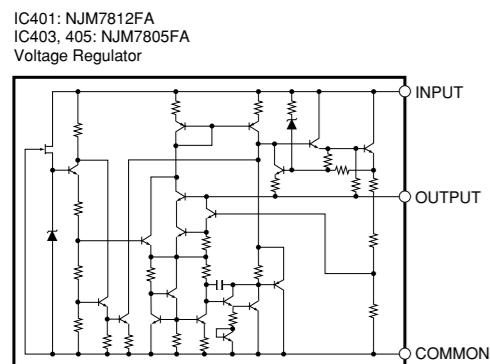
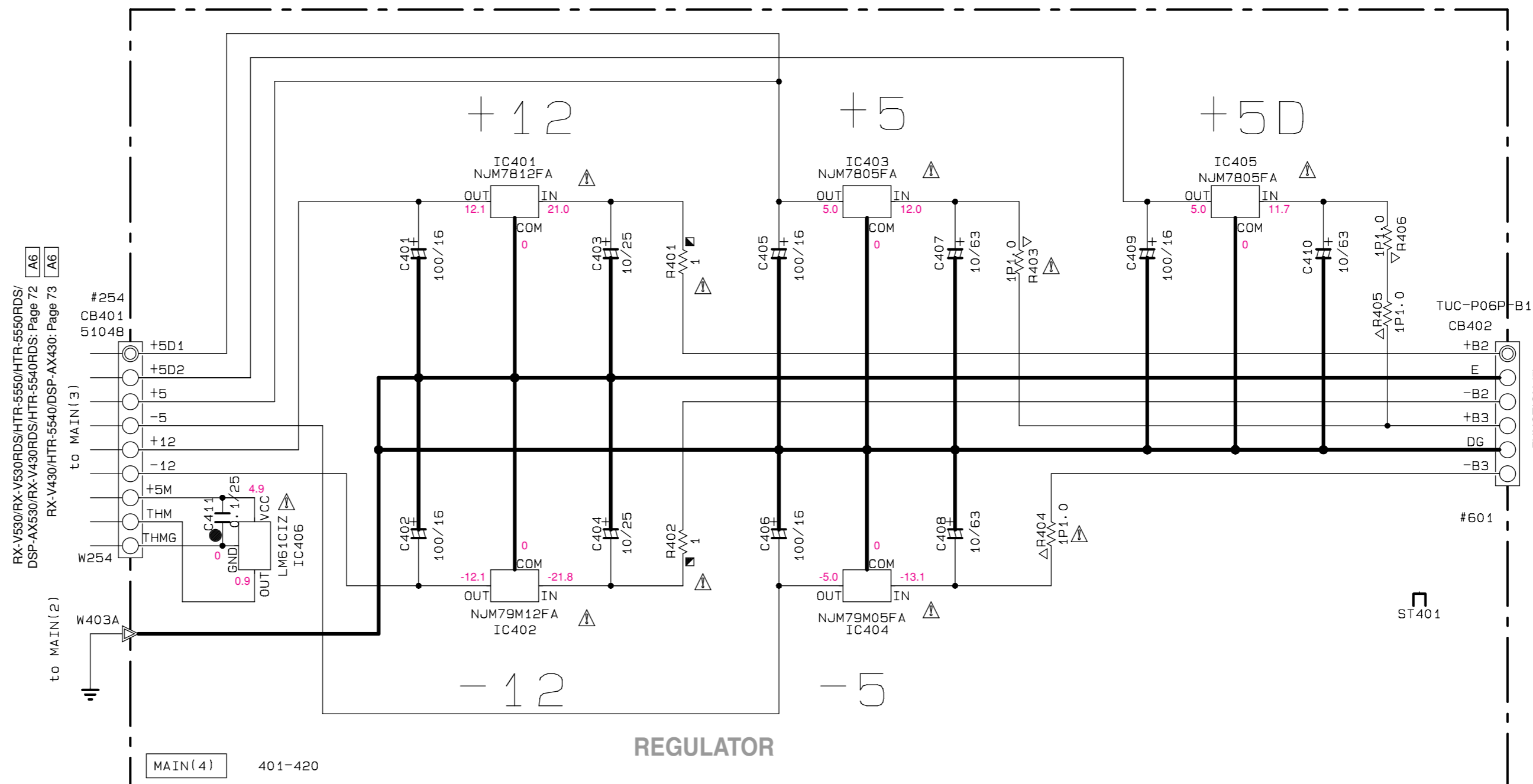
| REMARKS | PARTS NAME |
|---------|----------------------------------|
| NO MARK | ELECTROLYTIC CAPACITOR |
| ⊗ | TANTALUM CAPACITOR |
| NO MARK | CERAMIC CAPACITOR |
| ● | CERAMIC TUBULAR CAPACITOR |
| ◎ | POLYESTER FILM CAPACITOR |
| ○ | POLYSTYRENE FILM CAPACITOR |
| ① | MICA CAPACITOR |
| Ⓟ | POLYPROPYLENE FILM CAPACITOR |
| ⊙ | SEMICONDUCTIVE CERAMIC CAPACITOR |

NOTICE (model)

- (J)..... JAPANESE
- (U)..... U. S. A
- (C)..... CANADIAN
- (R)..... GENERAL
- (A)..... AUSTRALIAN
- (B)..... BRITISH
- (G)..... EUROPEAN
- (T)..... CHINA
- (L)..... SINGAPORE

| s | Circuit No. | J | U. C. R. T. K A. B. G. L |
|----|-------------|---|--------------------------------|
| 21 | J381, 382 | 0 | X |
| 22 | SW381 | X | SL13B- 022AMCS [V410420] |

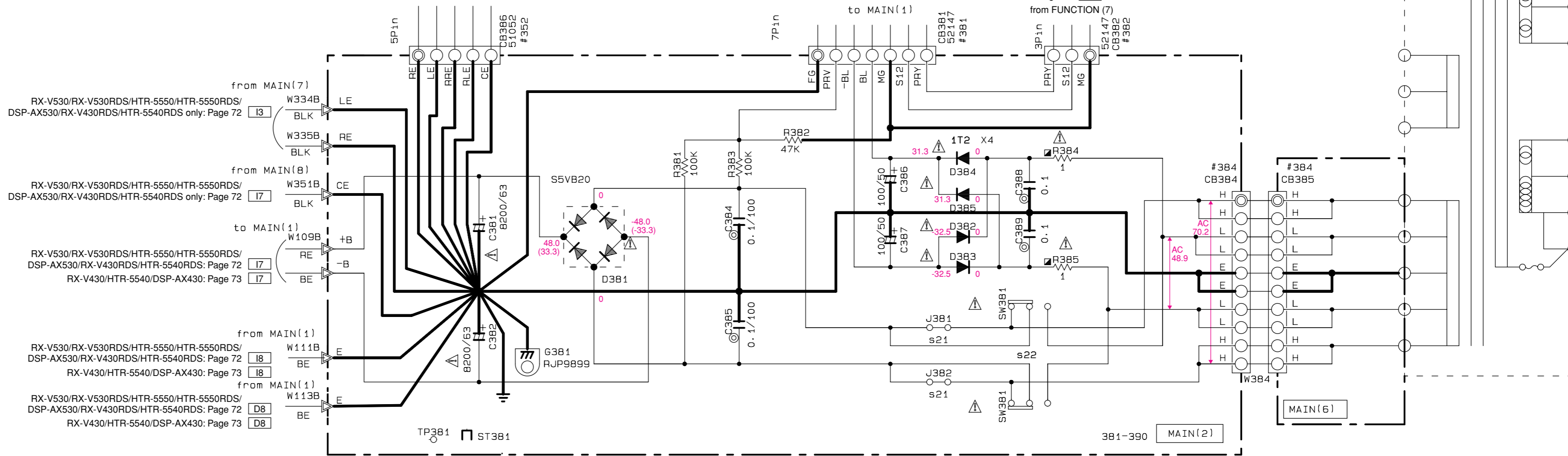
x: NOT USED
 o: USED / APPLICABLE



RX-V530/RX-V530RDS/HTR-5550/HTR-5550RDS/
 DSP-AX530/RX-V430RDS/HTR-5540RDS: Page 72 to MAIN (8) [I6]
 RX-V430/HTR-5540/DSP-AX430: Page 73 to MAIN (10) [I4]

RX-V530/RX-V530RDS/HTR-5550/HTR-5550RDS/
 DSP-AX530/RX-V430RDS/HTR-5540RDS: Page 72 [I4]
 RX-V430/HTR-5540/DSP-AX430: Page 73 [I4]

Page 68 [B6]



* All voltages are measured with a 10M Ω /V DC electric volt meter.
 * Components having special characteristics are marked Δ and must be replaced with parts having specifications equal to those originally installed.
 * Schematic diagram is subject to change without notice.

● 電圧は、内部抵抗10M Ω の電圧計で測定したものです。
 ● Δ 印のある部品は、安全性確保部品を示しています。部品の交換が必要な場合、パーツリストに記載されている部品を使用してください。
 ● 本回路図は標準回路図です。改良のため予告なく変更することがございます。

PARTS LIST

■ ELECTRICAL PARTS

■ WARNING

- Components having special characteristics are marked \triangle and must be replaced with parts having specifications equal to those originally installed.
- Carbon resistors (1/6W or 1/4W) are not included in the ELECTRICAL PARTS List. For the parts No. of the carbon resistors, refer to last page.
- \triangle 印のある部分は、安全確保部品を示しています。部品の交換が必要な場合、パーツリストに記載されている部品を使用してください。
- 本機に使用しているカーボン抵抗は1/6Wまたは1/4Wです。このパーツリストには、記載しておりませんので、部品番号がHF45○○○○タイプまたは同等品を使用してください。
- 部品価格ランクは、予告なく変更することがあります。

ABBREVIATIONS IN THIS LIST ARE AS FOLLOWS:

| | | | |
|-------------|-------------------------------|------------|--------------------------------|
| C.A.EL.CHP | : CHIP ALUMI.ELECTROLYTIC CAP | L.EMIT | : LIGHT EMITTING MODULE |
| C.CE | : CERAMIC CAP | LED.DSPLY | : LED DISPLAY |
| C.CE.ARRAY | : CERAMIC CAP ARRAY | LED.INFRD | : LED,INFRARED |
| C.CE.CHP | : CHIP CERAMIC CAP | MODUL.RF | : MODULATOR,RF |
| C.CE.ML | : MULTILAYER CERAMIC CAP | PHOT.CPL | : PHOTO COUPLER |
| C.CE.M.CHP | : CHIP MULTILAYER CERAMIC CAP | PHOT.INTR | : PHOTO INTERRUPTER |
| C.CE.SAFETY | : RECOGNIZED CERAMIC CAP | PHOT.RFLCT | : PHOTO REFLECTOR |
| C.CE.TUBLR | : CERAMIC TUBULAR CAP | PIN.TEST | : PIN,TEST POINT |
| C.CE.SMI | : SEMI CONDUCTIVE CERAMIC CAP | PLST.RIVET | : PLASTIC RIVET |
| C.EL | : ELECTROLYTIC CAP | R.ARRAY | : RESISTOR ARRAY |
| C.MICA | : MICA CAP | R.CAR. | : CARBON RESISTOR |
| C.ML.FLM | : MULTILAYER FILM CAP | R.CAR.CHP | : CHIPRESISTOR |
| C.MP | : METALLIZED PAPER CAP | R.CAR.FP | : FLAME PROOF CARBON RESISTOR |
| C.MYLAR | : MYLAR FILM CAP | R.FUS | : FUSABLE RESISTOR |
| C.MYLAR.ML | : MULTILAYER MYLAR FILM CAP | R.MTL.CHP | : CHIP METAL FILM RESISTOR |
| C.PAPER | : PAPER CAPACITOR | R.MTL.FLM | : METAL FILM RESISTOR |
| C.PLS | : POLYSTYRENE FILM CAP | R.MTL.OXD | : METAL OXIDE FILM RESISTOR |
| C.POL | : POLYESTER FILM CAP | R.MTL.PLAT | : METAL PLATE RESISTOR |
| C.POLY | : POLYETHYLENE FILM CAP | RSNR.CE | : CERAMIC RESONATOR |
| C.PP | : POLYPROPYLENE FILM CAP | RSNR.CRYS | : CRYSTAL RESONATOR |
| C.TNTL | : TANTALUM CAP | R.TW.CEM | : TWIN CEMENT FIXED RESISTOR |
| C.TNTL.CHP | : CHIP TANTALUM CAP | R.WW | : WIRE WOUND RESISTOR |
| C.TRIM | : TRIMMER CAP | SCR.BND.HD | : BIND HEAD B-TITE SCREW |
| CN | : CONNECTOR | SCR.BW.HD | : BW HEAD TAPPING SCREW |
| CN.BS.PIN | : CONNECTOR,BASE PIN | SCR.CUP | : CUP TITE SCREW |
| CN.CANNON | : CONNECTOR,CANNON | SCR.TERM | : SCREW TERMINAL |
| CN.DIN | : CONNECTOR,DIN | SCR.TR | : SCREW,TRANSISTOR |
| CN.FLAT | : CONNECTOR,FLAT CABLE | SUPRT.PCB | : SUPPORT,P.C.B. |
| CN.POST | : CONNECTOR,BASE POST | SURG.PRTCT | : SURGE PROTECTOR |
| COIL.MX.AM | : COIL,AM MIX | SW.TACT | : TACT SWITCH |
| COIL.AT.FM | : COIL,FM ANTENNA | SW.LEAF | : LEAF SWITCH |
| COIL.DT.FM | : COIL,FM DETECT | SW.LEVER | : LEVER SWITCH |
| COIL.MX.FM | : COIL,FM MIX | SW.MICRO | : MICRO SWITCH |
| COIL.OUTPT | : OUTPUT COIL | SW.PUSH | : PUSH SWITCH |
| DIOD.ARRAY | : DIODE ARRAY | SW.RT.ENC | : ROTARY ENCODER |
| DIODE.BRG | : DIODE BRIDGE | SW.RT.MTR | : ROTARY SWITCH WITH MOTOR |
| DIODE.CHP | : CHIP DIODE | SW.RT | : ROTARY SWITCH |
| DIODE.VAR | : VARACTOR DIODE | SW.SLIDE | : SLIDE SWITCH |
| DIOD.Z.CHP | : CHIP ZENER DIODE | TERM.SP | : SPEAKER TERMINAL |
| DIODE.ZENR | : ZENER DIODE | TERM.WRAP | : WRAPPING TERMINAL |
| DSCR.CE | : CERAMIC DISCRIMINATOR | THRMST.CHP | : CHIP THERMISTOR |
| FER.BEAD | : FERRITE BEADS | TR.CHP | : CHIP TRANSISTOR |
| FER.CORE | : FERRITE CORE | TR.DGT | : DIGITAL TRANSISTOR |
| FET.CHP | : CHIP FET | TR.DGT.CHP | : CHIP DIGITAL TRANSISTOR |
| FL.DSPLY | : FLUORESCENT DISPLAY | TRANS | : TRANSFORMER |
| FLTR.CE | : CERAMIC FILTER | TRANS.PULS | : PULSE TRANSFORMER |
| FLTR.COMB | : COMB FILTER MODULE | TRANS.PWR | : POWER TRANSFORMER ASS'Y |
| FLTR.LC.RF | : LC FILTER,EMI | TUNER.AM | : TUNER PACK,AM |
| GND.MTL | : GROUND PLATE | TUNER.FM | : TUNER PACK,FM |
| GND.TERM | : GROUND TERMINAL | TUNER.PK | : FRONT-ENDTUNER PACK |
| HOLDER.FUS | : FUSE HOLDER | VR | : ROTARY POTENTIOMETER |
| IC.PRTCT | : IC PROTECTOR | VR.MTR | : POTENTIOMETER WITH MOTOR |
| JUMPER.CN | : JUMPER CONNECTOR | VR.SW | : POTENTIOMETER WITH ROTARY SW |
| JUMPER.TST | : JUMPER,TEST POINT | VR.SLIDE | : SLIDE POTENTIOMETER |
| L.DTCT | : LIGHT DETECTING MODULE | VR.TRIM | : TRIMMER POTENTIOMETER |

Note) Those parts marked with “#” are not included in the P.C.B. ass'y.

P.C.B. FUNCTION

| Schm Ref. | PART NO. | Description | Remarks | Markets | 部 品 名 | Rank | |
|-----------|----------|-------------|---------------|-------------------|-------------------|---------------|----|
| | V8703400 | P. C. B. | FUNCTION | AX530 | J | P C B ファンクション | |
| * | V8703500 | P. C. B. | FUNCTION | V530, 5550 | UC | P C B ファンクション | |
| * | V8703600 | P. C. B. | FUNCTION | V530, 5550 | RT | P C B ファンクション | |
| * | V8703700 | P. C. B. | FUNCTION | V530, 5550 | K | P C B ファンクション | |
| * | V8703800 | P. C. B. | FUNCTION | V530, 5550 | A | P C B ファンクション | |
| * | V8703900 | P. C. B. | FUNCTION | V530, 5550 | B | P C B ファンクション | |
| * | V8704000 | P. C. B. | FUNCTION | V530, 5550 | G | P C B ファンクション | |
| * | V8704100 | P. C. B. | FUNCTION | V530, 5550 | L | P C B ファンクション | |
| * | V8704200 | P. C. B. | FUNCTION | AX430 | J | P C B ファンクション | |
| * | V8704300 | P. C. B. | FUNCTION | V430, 5540 | UC | P C B ファンクション | |
| * | V8704400 | P. C. B. | FUNCTION | V430, 5540 | RT | P C B ファンクション | |
| * | V8704500 | P. C. B. | FUNCTION | V430, 5540 | K | P C B ファンクション | |
| * | V8704600 | P. C. B. | FUNCTION | V430, 5540 | A | P C B ファンクション | |
| * | V8704700 | P. C. B. | FUNCTION | V430, 5540 | B | P C B ファンクション | |
| * | V8704800 | P. C. B. | FUNCTION | V430, 5540 | G | P C B ファンクション | |
| * | V8704900 | P. C. B. | FUNCTION | V430, 5540 | L | P C B ファンクション | |
| | CB301 | V7828200 | SOCKET | 15P TE TUC SERIES | | コネクターソケット | |
| | CB302 | V7826500 | CN | 15P TE TUC SERIES | | コネクタープラグ | 01 |
| | CB303 | V7826500 | CN | 15P TE TUC SERIES | | コネクタープラグ | 01 |
| | CB304 | V7828200 | SOCKET | 15P TE TUC SERIES | | コネクターソケット | |
| | CB305 | V7827200 | SOCKET | 5P TE TUC SERIES | | コネクターソケット | |
| | CB306 | V7827100 | SOCKET | 4P TE TUC SERIES | AX530, V530, 5550 | コネクターソケット | |
| | CB307 | V7828200 | SOCKET | 15P TE TUC SERIES | | コネクターソケット | |
| | CB308 | VQ048400 | CN | 35P | | F F C コネクター | 01 |
| | CB309 | VK025300 | CN. BS. PIN | 9P | | ワイヤートラップ | 01 |
| | CB310 | VF982200 | CN. BS. PIN | 14P | | コネクター | 02 |
| | CB311 | VQ044400 | CN. BS. PIN | 9P | | F F C コネクター | 01 |
| * | CB312 | VQ048500 | CN | 36P TE | | F F C コネクター | 02 |
| | CB551 | V7827100 | SOCKET | 4P TE TUC SERIES | | コネクターソケット | |
| | CB571 | V7825400 | CN | 4P TE TUC SERIES | | コネクタープラグ | 01 |
| | CB573 | V7825400 | CN | 4P TE TUC SERIES | | コネクタープラグ | 01 |
| | CB574 | V7825400 | CN | 4P TE TUC SERIES | AX530, V530, 5550 | コネクタープラグ | 01 |
| | CB575 | V7825500 | CN | 5P TE TUC SERIES | | コネクタープラグ | 01 |
| | CB576 | V7825400 | CN | 4P TE TUC SERIES | AX530, V530, 5550 | コネクタープラグ | 01 |
| | CB577 | V7826500 | CN | 15P TE TUC SERIES | | コネクタープラグ | 01 |
| | CB578 | VM859600 | CN. BS. PIN | 15P | | F F C コネクター | 01 |
| * | CB601 | V7827300 | SOCKET | 6P TE TUC SERIES | | コネクターソケット | |
| * | CB602 | VQ585400 | CN. BS. PIN | 12P TE | | ケーブルホルダー | |
| * | CB603 | VQ585400 | CN. BS. PIN | 12P TE | | ケーブルホルダー | |
| | CB921 | Vi878100 | CN. BS. PIN | 3P | | ケーブルホルダー | 01 |
| | CB922 | VP206500 | HOLDER. FUS | EYF-52BCT | GL | ヒューズホルダー | 01 |
| | CB923 | VP206500 | HOLDER. FUS | EYF-52BCT | GL | ヒューズホルダー | 01 |
| | CB924 | VP206500 | HOLDER. FUS | EYF-52BCT | | ヒューズホルダー | 01 |
| | CB925 | VP206500 | HOLDER. FUS | EYF-52BCT | | ヒューズホルダー | 01 |
| | CB926 | VG879900 | CN. BS. PIN | 2P | | ベースピン | 01 |
| | CB941 | VP206500 | HOLDER. FUS | EYF-52BCT | RT | ヒューズホルダー | 01 |
| | CB942 | VP206500 | HOLDER. FUS | EYF-52BCT | RT | ヒューズホルダー | 01 |
| | C301 | UA654100 | C. MYLAR | 0. 01uF 50V | | マイラーコン | 01 |
| | C302 | US064100 | C. CE. M. CHP | 0. 01uF 50V | | チップセラコン | 01 |
| | C303 | FG651470 | C. CE | 47pF 50V | | セラコン | 01 |
| | C304 | FG651470 | C. CE | 47pF 50V | | セラコン | 01 |
| | C305 | US061470 | C. CE. M. CHP | 47pF 50V | | チップセラコン | 01 |
| | C306 | US061470 | C. CE. M. CHP | 47pF 50V | | チップセラコン | 01 |

* New Parts * 新規部品(マーク#の部品は、基板に含まれません)

RX-V530/RX-V530RDS/HTR-5550/HTR-5550RDS/DSP-AX530
 RX-V430/RX-V430RDS/HTR-5540/HTR-5540RDS/DSP-AX430

P.C.B. FUNCTION

| Schm Ref. | PART NO. | Description | Remarks | Markets | 部 品 名 | Rank | |
|-----------|----------|-------------|---------|---------|-------|------------|----|
| C307 | UA652100 | C. MYLAR | 100pF | 50V | | マイラーコン | 01 |
| C308 | UA652100 | C. MYLAR | 100pF | 50V | | マイラーコン | 01 |
| C309 | UA652100 | C. MYLAR | 100pF | 50V | | マイラーコン | 01 |
| C310 | UA652100 | C. MYLAR | 100pF | 50V | | マイラーコン | 01 |
| C311 | UA652100 | C. MYLAR | 100pF | 50V | | マイラーコン | 01 |
| C312 | UA652100 | C. MYLAR | 100pF | 50V | | マイラーコン | 01 |
| C313 | UA652100 | C. MYLAR | 100pF | 50V | | マイラーコン | 01 |
| C314 | UA652100 | C. MYLAR | 100pF | 50V | | マイラーコン | 01 |
| C315 | UA652100 | C. MYLAR | 100pF | 50V | | マイラーコン | 01 |
| C316 | UA652100 | C. MYLAR | 100pF | 50V | | マイラーコン | 01 |
| C319 | UA652100 | C. MYLAR | 100pF | 50V | | マイラーコン | 01 |
| C320 | UA652100 | C. MYLAR | 100pF | 50V | | マイラーコン | 01 |
| C321 | UA652100 | C. MYLAR | 100pF | 50V | | マイラーコン | 01 |
| C322 | UA652100 | C. MYLAR | 100pF | 50V | | マイラーコン | 01 |
| C323 | UA652100 | C. MYLAR | 100pF | 50V | | マイラーコン | 01 |
| C324 | UA652100 | C. MYLAR | 100pF | 50V | | マイラーコン | 01 |
| C325 | UA652100 | C. MYLAR | 100pF | 50V | | マイラーコン | 01 |
| C326 | UA652100 | C. MYLAR | 100pF | 50V | | マイラーコン | 01 |
| C327 | UR877100 | C. EL | 10uF | 63V | | ケミコン | 01 |
| C328 | UR877100 | C. EL | 10uF | 63V | | ケミコン | 01 |
| C329 | UR877100 | C. EL | 10uF | 63V | | ケミコン | 01 |
| C330 | UR877100 | C. EL | 10uF | 63V | | ケミコン | 01 |
| C331 | UR877100 | C. EL | 10uF | 63V | | ケミコン | 01 |
| C332 | UR877100 | C. EL | 10uF | 63V | | ケミコン | 01 |
| C337 | UR838100 | C. EL | 100uF | 16V | | ケミコン | 01 |
| C338 | UR838100 | C. EL | 100uF | 16V | | ケミコン | 01 |
| C339 | UR847470 | C. EL | 47uF | 25V | | ケミコン | 01 |
| C340 | UR847470 | C. EL | 47uF | 25V | | ケミコン | 01 |
| C341 | UR877100 | C. EL | 10uF | 63V | | ケミコン | 01 |
| C342 | UR877100 | C. EL | 10uF | 63V | | ケミコン | 01 |
| C343 | UR866330 | C. EL | 3.3uF | 50V | | ケミコン | 01 |
| C345 | UR877220 | C. EL | 22uF | 63V | | ケミコン | 01 |
| C347 | US135100 | C. CE. CHP | 0.1uF | 16V | | チップセラコン | 01 |
| C348 | US135100 | C. CE. CHP | 0.1uF | 16V | | チップセラコン | 01 |
| C349 | UR877100 | C. EL | 10uF | 63V | | ケミコン | 01 |
| C350 | UR877100 | C. EL | 10uF | 63V | | ケミコン | 01 |
| C351 | FG651220 | C. CE | 22pF | 50V | | セラコン | 01 |
| C352 | FG651220 | C. CE | 22pF | 50V | | セラコン | 01 |
| C353 | UA652100 | C. MYLAR | 100pF | 50V | | マイラーコン | 01 |
| C354 | UR877100 | C. EL | 10uF | 63V | | ケミコン | 01 |
| C355 | UR877100 | C. EL | 10uF | 63V | | ケミコン | 01 |
| C356 | UR877100 | C. EL | 10uF | 63V | | ケミコン | 01 |
| C357 | UR877100 | C. EL | 10uF | 63V | | ケミコン | 01 |
| C358 | UR877100 | C. EL | 10uF | 63V | | ケミコン | 01 |
| C361 | UR858100 | C. EL | 100uF | 35V | | ケミコン | 01 |
| C362 | UR858100 | C. EL | 100uF | 35V | | ケミコン | 01 |
| C363 | US135100 | C. CE. CHP | 0.1uF | 16V | | チップセラコン | 01 |
| C364 | US135100 | C. CE. CHP | 0.1uF | 16V | | チップセラコン | 01 |
| C367 | UR819100 | C. EL | 1000uF | 6.3V | | ケミコン | 01 |
| C368 | UR866220 | C. EL | 2.2uF | 50V | | ケミコン | 01 |
| C369 | UR819100 | C. EL | 1000uF | 6.3V | | ケミコン | 01 |
| C370 | VT180400 | C. EL | 4700uF | 5.5V | | バックアップケミコン | 02 |
| C371 | UR818220 | C. EL | 220uF | 6.3V | | ケミコン | 01 |

* New Parts * 新規部品(マーク#の部品は、基板に含まれません)

RX-V530/RX-V530RDS/HTR-5550/HTR-5550RDS/DSP-AX530
 RX-V430/RX-V430RDS/HTR-5540/HTR-5540RDS/DSP-AX430

P.C.B. FUNCTION

| Schm Ref. | PART NO. | Description | Remarks | Markets | 部 品 名 | Rank | |
|-----------|----------|---------------|---------|---------|-------|---------------|----|
| C372 | UR865100 | C. EL | 0. 1uF | 50V | | ケミコン | 01 |
| C375 | UR877100 | C. EL | 10uF | 63V | | ケミコン | 01 |
| C376 | UR865100 | C. EL | 0. 1uF | 50V | | ケミコン | 01 |
| C377 | US135100 | C. CE. CHP | 0. 1uF | 16V | | チップセラコン | 01 |
| C378 | UR847470 | C. EL | 47uF | 25V | | ケミコン | 01 |
| C379 | US064100 | C. CE. M. CHP | 0. 01uF | 50V | | チップセラコン | 01 |
| C383 | UA655470 | C. MYLAR | 0. 47uF | 50V | | マイラーコン | 01 |
| C387 | UA655470 | C. MYLAR | 0. 47uF | 50V | | マイラーコン | 01 |
| C388 | UR877100 | C. EL | 10uF | 63V | | ケミコン | 01 |
| C389 | UR877100 | C. EL | 10uF | 63V | | ケミコン | 01 |
| C390 | UR877100 | C. EL | 10uF | 63V | | ケミコン | 01 |
| C391 | UR877100 | C. EL | 10uF | 63V | | ケミコン | 01 |
| C392 | US062100 | C. CE. M. CHP | 100pF | 50V | | チップセラコン | 01 |
| C399 | VG278900 | C. CE. TUBLR | 680pF | 50V | | 円筒セラコン | 01 |
| C400 | UR865100 | C. EL | 0. 1uF | 50V | | ケミコン | 01 |
| C551 | US062100 | C. CE. M. CHP | 100pF | 50V | | チップセラコン | 01 |
| C552 | US062100 | C. CE. M. CHP | 100pF | 50V | | チップセラコン | 01 |
| C553 | UR877100 | C. EL | 10uF | 63V | | ケミコン | 01 |
| C554 | UR877100 | C. EL | 10uF | 63V | | ケミコン | 01 |
| C555 | UR877100 | C. EL | 10uF | 63V | | ケミコン | 01 |
| C556 | UR877100 | C. EL | 10uF | 63V | | ケミコン | 01 |
| C557 | UR829100 | C. EL | 1000uF | 10V | | ケミコン | 01 |
| C558 | UR829100 | C. EL | 1000uF | 10V | | ケミコン | 01 |
| C559 | US063100 | C. CE. M. CHP | 1000pF | 50V | | チップセラコン | 01 |
| C562 | UR877100 | C. EL | 10uF | 63V | | ケミコン | 01 |
| C571 | UR847470 | C. EL | 47uF | 25V | | ケミコン | 01 |
| C572 | UR847470 | C. EL | 47uF | 25V | | ケミコン | 01 |
| C575 | US062330 | C. CE. M. CHP | 330pF | 50V | BG | チップセラコン | 01 |
| C576 | US062330 | C. CE. M. CHP | 330pF | 50V | BG | チップセラコン | 01 |
| C577 | VA761100 | C. CE | 27pF | 50V | BG | セラコン | 01 |
| C578 | VA761100 | C. CE | 27pF | 50V | BG | セラコン | 01 |
| C579 | UR837470 | C. EL | 47uF | 16V | BG | ケミコン | 01 |
| C580 | UR837470 | C. EL | 47uF | 16V | BG | ケミコン | 01 |
| C581 | US062560 | C. CE. CHP | 560pF | 50V | BG | チップセラ (S L) | 01 |
| C582 | US135100 | C. CE. CHP | 0. 1uF | 16V | BG | チップセラコン | 01 |
| C583 | UR837470 | C. EL | 47uF | 16V | BG | ケミコン | 01 |
| C584 | US062100 | C. CE. M. CHP | 100pF | 50V | | チップセラコン | 01 |
| C585 | US062100 | C. CE. M. CHP | 100pF | 50V | | チップセラコン | 01 |
| C586 | US063100 | C. CE. M. CHP | 1000pF | 50V | | チップセラコン | 01 |
| C587 | US062100 | C. CE. M. CHP | 100pF | 50V | | チップセラコン | 01 |
| C588 | US062100 | C. CE. M. CHP | 100pF | 50V | | チップセラコン | 01 |
| C589 | US064100 | C. CE. M. CHP | 0. 01uF | 50V | | チップセラコン | 01 |
| C590 | US135100 | C. CE. CHP | 0. 1uF | 16V | | チップセラコン | 01 |
| C591 | UR877100 | C. EL | 10uF | 63V | | ケミコン | 01 |
| C592 | US062100 | C. CE. M. CHP | 100pF | 50V | BG | チップセラコン | 01 |
| ▲ C601 | UR73A100 | C. EL | 10000uF | 16V | | ケミコン | 03 |
| ▲ C602 | UR749470 | C. EL | 4700uF | 25V | | ケミコン | 05 |
| ▲ C603 | UR749470 | C. EL | 4700uF | 25V | | ケミコン | 05 |
| ▲ C604 | UR73A100 | C. EL | 10000uF | 16V | | ケミコン | 03 |
| C605 | UR73A100 | C. EL | 10000uF | 16V | | ケミコン | 03 |
| C606 | VE326000 | C. MYLAR. ML | 0. 1uF | 50V | | 積層マイラーコン | 01 |
| C607 | VE326000 | C. MYLAR. ML | 0. 1uF | 50V | | 積層マイラーコン | 01 |
| C608 | VE326000 | C. MYLAR. ML | 0. 1uF | 50V | | 積層マイラーコン | 01 |

* New Parts * 新規部品(マーク#の部品は、基板に含まれません)

RX-V530/RX-V530RDS/HTR-5550/HTR-5550RDS/DSP-AX530
 RX-V430/RX-V430RDS/HTR-5540/HTR-5540RDS/DSP-AX430

P.C.B. FUNCTION

| Schm Ref. | PART NO. | Description | Remarks | Markets | 部 品 名 | Rank |
|-----------|----------|--------------|----------------|----------|------------|------|
| C609 | VE326000 | C. MYLAR. ML | 0.1uF 50V | | 積層マイラーコン | 01 |
| C610 | VE326000 | C. MYLAR. ML | 0.1uF 50V | | 積層マイラーコン | 01 |
| C611 | VE326000 | C. MYLAR. ML | 0.1uF 50V | | 積層マイラーコン | 01 |
| C612 | VE326000 | C. MYLAR. ML | 0.1uF 50V | | 積層マイラーコン | 01 |
| C613 | VE326000 | C. MYLAR. ML | 0.1uF 50V | | 積層マイラーコン | 01 |
| C614 | UR73A100 | C. EL | 10000uF 16V | | ケミコン | 03 |
| C921 | UA655100 | C. MYLAR | 0.1uF 50V | | マイラーコン | 01 |
| * C922 | UR748470 | C. EL | 470uF 25V | | ケミコン | |
| C923 | UR877100 | C. EL | 10uF 63V | RT | ケミコン | 01 |
| C925 | UR897100 | C. EL | 10uF 100V | RT | ケミコン | 01 |
| C926 | UR877100 | C. EL | 10uF 63V | RT | ケミコン | 01 |
| C927 | UA654100 | C. MYLAR | 0.01uF 50V | JUCKABGL | マイラーコン | 01 |
| C928 | UA654100 | C. MYLAR | 0.01uF 50V | RT | マイラーコン | 01 |
| C929 | UA654100 | C. MYLAR | 0.01uF 50V | RT | マイラーコン | 01 |
| △ C930 | V6185300 | C. CE. SAFTY | 0.01uF 275V | | 規格認定コン | |
| * D301 | VU994300 | DIODE. ZENR | MA8075-H 7.7V | | ツェナーダイオード | |
| * D302 | VU994300 | DIODE. ZENR | MA8075-H 7.7V | | ツェナーダイオード | |
| D303 | VU171900 | DIODE. ZENR | UDZ5.1B 5.1V | | ツェナーダイオード | 01 |
| D304 | VU171900 | DIODE. ZENR | UDZ5.1B 5.1V | | ツェナーダイオード | 01 |
| D305 | VU171900 | DIODE. ZENR | UDZ5.1B 5.1V | | ツェナーダイオード | 01 |
| D306 | VT332900 | DIODE | 1SS355 | | ダイオード | 01 |
| D307 | VT332900 | DIODE | 1SS355 | | ダイオード | 01 |
| D308 | VT332900 | DIODE | 1SS355 | | ダイオード | 01 |
| D309 | VT332900 | DIODE | 1SS355 | | ダイオード | 01 |
| D310 | VU172200 | DIODE. ZENR | UDZ6.8B 6.8V | JUCABGL | ツェナーダイオード | 01 |
| D310 | VU172100 | DIODE. ZENR | UDZS6.2B 6.2V | RTK | ツェナーダイオード | 01 |
| D311 | VT332900 | DIODE | 1SS355 | | ダイオード | 01 |
| D312 | VU172000 | DIODE. ZENR | UDZS5.6B 5.6V | | ツェナーダイオード | 01 |
| D313 | VU172000 | DIODE. ZENR | UDZS5.6B 5.6V | | ツェナーダイオード | 01 |
| D314 | VT332900 | DIODE | 1SS355 | | ダイオード | 01 |
| D315 | VT332900 | DIODE | 1SS355 | | ダイオード | 01 |
| D571 | VU172000 | DIODE. ZENR | UDZS5.6B 5.6V | | ツェナーダイオード | 01 |
| D572 | VT332900 | DIODE | 1SS355 | | ダイオード | 01 |
| △ D601 | VQ379300 | DIODE. BRG | S1VB20 1A 200V | | ダイオード | 02 |
| △ D602 | VQ379300 | DIODE. BRG | S1VB20 1A 200V | | ダイオード | 02 |
| D921 | VT332900 | DIODE | 1SS355 | | ダイオード | 01 |
| D922 | VT332900 | DIODE | 1SS355 | RT | ダイオード | 01 |
| * D923 | VU172900 | DIODE. ZENR | UDZ 13B 13V | RT | ツェナーダイオード | |
| D924 | VV307700 | DIODE | 1N4002S | | ダイオード | 01 |
| D925 | VV307700 | DIODE | 1N4002S | | ダイオード | 01 |
| D926 | VV307700 | DIODE | 1N4002S | RT | ダイオード | 01 |
| D927 | VV307700 | DIODE | 1N4002S | | ダイオード | 01 |
| D928 | VV307700 | DIODE | 1N4002S | | ダイオード | 01 |
| △ F921 | VT942900 | FUSE | TH2.5A 250V | GL | ヒューズ | 01 |
| △ F922 | VP909900 | FUSE | T7A 125V | JUCRT | ヒューズ | 02 |
| F922 | KB000760 | FUSE | T3.15A 250V | KABGL | ヒューズ | 01 |
| F941 | KB000760 | FUSE | T3.15A 250V | RT | ヒューズ | 01 |
| G601 | V8880000 | TERM. GND | M3.5 RJP9899 | | アース端子 | |
| * IC301 | X2340A00 | IC | M30624MGA | MASK ROM | マイコンマスクROM | |
| * IC302 | X2261A00 | IC | BD3811K1 | | IC | |
| IC303 | XF291A00 | IC | uPC4570G2 | | IC | 03 |
| IC304 | XF291A00 | IC | uPC4570G2 | | IC | 03 |
| IC305 | XY877A00 | IC | MM74HC4053SJX | | ロジックIC SOP | |

* New Parts * 新規部品(マーク#の部品は、基板に含まれません)

RX-V530/RX-V530RDS/HTR-5550/HTR-5550RDS/DSP-AX530
RX-V430/RX-V430RDS/HTR-5540/HTR-5540RDS/DSP-AX430

P.C.B. FUNCTION

| Schm Ref. | PART NO. | Description | Remarks | Markets | 部 品 名 | Rank |
|-----------|----------|--------------|-------------------|---------|-------------------|------|
| IC306 | XJ757A00 | IC | NJM78L05A-T3 | | I C | 01 |
| IC551 | XH436A00 | IC | LA7956 | | I C | 03 |
| IC571 | XY534A00 | IC | LC72722 | BG | R D S デ コ ー ダ I C | 06 |
| L571 | VU889500 | COIL | 220uH | | 円筒形固定コイル | 01 |
| PJ301 | V7190400 | JACK. PIN | 6P | | ピンジャック 6 P | |
| PJ302 | V7046800 | JACK. PIN | MSP-246V1-01NI | | ピンジャック 6 P | |
| PJ303 | V7046800 | JACK. PIN | MSP-246V1-01NI | | ピンジャック 6 P | |
| PJ304 | V7046700 | JACK. PIN | MSP-244V1-01NI | | ピンジャック 4 P | |
| PJ305 | V7189700 | JACK. PIN | 1P | | ピンジャック 1 P | |
| PJ551 | V7190000 | JACK. PIN | 2P | | ピンジャック 2 P | |
| PJ552 | V7190000 | JACK. PIN | 2P | | ピンジャック 2 P | |
| PJ553 | V7190000 | JACK. PIN | 2P | | ピンジャック 2 P | |
| PN301 | V3750200 | PIN | L=70 | | スタイルピン | |
| PN302 | V3750200 | PIN | L=70 | | スタイルピン | |
| PN501 | V3750200 | PIN | L=70 | | スタイルピン | |
| PN601 | V3750200 | PIN | L=70 | | スタイルピン | |
| Q301 | VD303700 | TR | 2SC3326 A, B | | トランジスタ | 01 |
| Q304 | iC1815I0 | TR | 2SC1815 Y | | トランジスタ | 01 |
| Q305 | iA1015I0 | TR | 2SA1015 Y | | トランジスタ | 01 |
| Q307 | VV556500 | TR | 2SA1037K Q, R, S | | トランジスタ | 01 |
| Q308 | VV556400 | TR | 2SC2412K Q, R, S | | トランジスタ | 01 |
| Q309 | VV556500 | TR | 2SA1037K Q, R, S | | トランジスタ | 01 |
| Q311 | VD303700 | TR | 2SC3326 A, B | | トランジスタ | 01 |
| Q551 | iC1815I0 | TR | 2SC1815 Y | | トランジスタ | 01 |
| Q553 | iC1815I0 | TR | 2SC1815 Y | | トランジスタ | 01 |
| Q555 | iC1815I0 | TR | 2SC1815 Y | | トランジスタ | 01 |
| Q571 | iC1815I0 | TR | 2SC1815 Y | | トランジスタ | 01 |
| Q572 | iC174020 | TR | 2SC1740S R, S | BG | トランジスタ | 01 |
| Q921 | iC1815I0 | TR | 2SC1815 Y | | トランジスタ | 01 |
| Q922 | VR510800 | TR | 2SD2396 J, K | RT | トランジスタ | 02 |
| Q923 | iE102620 | FET | 2SK246 Y | RT | F E T | 01 |
| Q924 | VR510800 | TR | 2SD2396 J, K | RT | トランジスタ | 02 |
| R413 | HV753220 | R. CAR. FP | 2.2Ω 1/4W | | 不燃化カーボン抵抗 | 01 |
| R414 | HV753220 | R. CAR. FP | 2.2Ω 1/4W | | 不燃化カーボン抵抗 | 01 |
| R570 | HV753220 | R. CAR. FP | 2.2Ω 1/4W | | 不燃化カーボン抵抗 | 01 |
| R581 | HV753220 | R. CAR. FP | 2.2Ω 1/4W | | 不燃化カーボン抵抗 | 01 |
| R925 | V6730000 | R. CAR. | 2.2MΩ 1/2W | UC | 放電抵抗 | 01 |
| ▲ RY921 | V2712300 | RELAY | DC SDT-S-112LMR | | リレー 1 2 V | 05 |
| ST301 | V4040500 | SCR. TERM | M3 | | スクリュー/ターミナル | 01 |
| ST571 | V4040500 | SCR. TERM | M3 | | スクリュー/ターミナル | 01 |
| ST921 | V4040500 | SCR. TERM | M3 | | スクリュー/ターミナル | 01 |
| * SW571 | V3624300 | SW. SLIDE | SS029-P022MJB-PA6 | RT | スライド S W | |
| * ▲ SW941 | V7182300 | VOLT. SELECT | R8140213 | RT | 電圧切替器 | |
| ▲ T921 | XW605A00 | TRANS. PWR | | J | 電源トランス | 04 |
| * ▲ T921 | XW606A00 | TRANS. PWR | | UC | 電源トランス | |
| ▲ T921 | XW974A00 | TRANS. PWR | | RT | 電源トランス | 05 |
| * ▲ T921 | XW608A00 | TRANS. PWR | | KABGL | 電源トランス | |
| ▲ TE921 | VU543100 | OUTLET. AC | 2P | JUC | A C アウトレット | 03 |
| ▲ TE921 | V5867400 | OUTLET. AC | 2P | RT | A C アウトレット 2 P | |
| ▲ TE921 | VT915000 | OUTLET. AC | 2P | A | A C アウトレット | 06 |
| ▲ TE921 | VU543300 | OUTLET. AC | 1P | B | A C アウトレット | 05 |
| ▲ TE921 | VU543400 | OUTLET. AC | 2P | GL | A C アウトレット | 05 |
| XL301 | V7718300 | RSNR. CE | CSTLS10M0G53-B0 | | セラミック振動子 | 02 |

* New Parts * 新規部品(マーク#の部品は、基板に含まれません)

P.C.B. FUNCTION & P.C.B. OPERATION

| Schm Ref. | PART NO. | Description | Remarks | Markets | 部 品 名 | Rank |
|-----------|----------------------|-----------------------------|-------------------------|----------------|--------------------------------|----------|
| XL571 | V3930900 EP600140 | RSNR. CRYSC SCR. BND. HD | 4.332MHz 3x10 MFZ2BL | BG RT | 水晶振動子 バインドBタイトネジ | 05 01 |
| | V8705200 V8705300 | P. C. B. P. C. B. | OPERATION OPERATION | JUCRTKAL BG | P C B オペレーション P C B オペレーション | |
| CB701 | VQ047200 | CN. BS. PIN | 9P | | F F Cコネクター | 01 |
| CB702 | VQ047200 | CN. BS. PIN | 9P | | F F Cコネクター | 01 |
| CB703 | VN394900 | CN. BS. PIN | 14P | | F F Cコネクター | 01 |
| CB704 | Vi878000 | CN. BS. PIN | 2P | | ケーブルホルダー | 01 |
| CB705 | Vi878100 | CN. BS. PIN | 3P | | ケーブルホルダー | 01 |
| CB741 | Vi878700 | CN. BS. PIN | 9P | | ケーブルホルダー | 01 |
| CB781 | Vi878000 | CN. BS. PIN | 2P | | ケーブルホルダー | 01 |
| CB786 | Vi878100 | CN. BS. PIN | 3P | | ケーブルホルダー | 01 |
| C701 | US062680 | C. CE. M. CHP | 680pF 50V | | チップセラコン | 01 |
| C702 | US062680 | C. CE. M. CHP | 680pF 50V | | チップセラコン | 01 |
| C703 | UR877100 | C. EL | 10uF 63V | | ケミコン | 01 |
| C704 | US061330 | C. CE. M. CHP | 33pF 50V | | チップセラコン | 01 |
| C705 | US135100 | C. CE. CHP | 0.1uF 16V | | チップセラコン | 01 |
| C741 | UR838330 | C. EL | 330uF 16V | | ケミコン | 01 |
| C742 | UR838330 | C. EL | 330uF 16V | | ケミコン | 01 |
| C743 | UR866100 | C. EL | 1uF 50V | | ケミコン | 01 |
| C744 | UR866100 | C. EL | 1uF 50V | | ケミコン | 01 |
| C745 | UR866220 | C. EL | 2.2uF 50V | | ケミコン | 01 |
| C746 | UR866220 | C. EL | 2.2uF 50V | | ケミコン | 01 |
| C747 | UT652100 | C. PP | 100pF 100V | | P Pコン | 01 |
| C748 | UT652100 | C. PP | 100pF 100V | | P Pコン | 01 |
| C749 | UR847470 | C. EL | 47uF 25V | | ケミコン | 01 |
| C750 | UR847470 | C. EL | 47uF 25V | | ケミコン | 01 |
| C751 | UA655120 | C. MYLAR | 0.12uF 50V | | マイラーコン | 01 |
| C752 | UA655120 | C. MYLAR | 0.12uF 50V | | マイラーコン | 01 |
| C753 | UA654330 | C. MYLAR | 0.033uF 50V | | マイラーコン | 01 |
| C754 | UA654330 | C. MYLAR | 0.033uF 50V | | マイラーコン | 01 |
| C755 | UR877220 | C. EL | 22uF 63V | | ケミコン | 01 |
| C756 | UR877220 | C. EL | 22uF 63V | | ケミコン | 01 |
| C757 | UR877100 | C. EL | 10uF 63V | | ケミコン | 01 |
| C758 | UR877100 | C. EL | 10uF 63V | | ケミコン | 01 |
| C760 | US062100 | C. CE. M. CHP | 100pF 50V | | チップセラコン | 01 |
| C761 | US062100 | C. CE. M. CHP | 100pF 50V | | チップセラコン | 01 |
| C762 | US062100 | C. CE. M. CHP | 100pF 50V | | チップセラコン | 01 |
| C763 | US135100 | C. CE. CHP | 0.1uF 16V | | チップセラコン | 01 |
| C764 | US135100 | C. CE. CHP | 0.1uF 16V | | チップセラコン | 01 |
| C765 | UA652100 | C. MYLAR | 100pF 50V | | マイラーコン | 01 |
| C766 | UA652100 | C. MYLAR | 100pF 50V | | マイラーコン | 01 |
| D701 | VU172300 | DIODE. ZENR | UDZ7.5B 7.5V | | ツェナーダイオード | 01 |
| G701 | V8880000 | TERM. GND | M3.5 RJP9899 | | アース端子 | |
| IC701 | XV160A00 | IC | LC75712E FLD | | ロジックIC フラット | 07 |
| IC741 | XF291A00 | IC | uPC4570G2 | | IC | 03 |
| IC742 | XF291A00 | IC | uPC4570G2 | | IC | 03 |
| PN781 | V3750200 | PIN | L=70 | | スタイルピン | |
| Q701 | VV900500 | TR | 2SD1991A Q, R, S | | トランジスタ | 01 |
| Q702 | VV900500 | TR | 2SD1991A Q, R, S | | トランジスタ | 01 |

*
*

* New Parts * 新規部品(マーク#の部品は、基板に含まれません)

RX-V530/RX-V530RDS/HTR-5550/HTR-5550RDS/DSP-AX530
RX-V430/RX-V430RDS/HTR-5540/HTR-5540RDS/DSP-AX430

P.C.B. OPERATION & P.C.B. DSP

| Schm Ref. | PART NO. | Description | Remarks | Markets | 部 品 名 | Rank | |
|-----------|----------|---------------|------------------|-------------------|------------|-------------|----|
| Q703 | VV900500 | TR | 2SD1991A Q, R, S | | トランジスタ | 01 | |
| Q704 | VV900500 | TR | 2SD1991A Q, R, S | | トランジスタ | 01 | |
| Q705 | VV900500 | TR | 2SD1991A Q, R, S | | トランジスタ | 01 | |
| Q706 | VV900500 | TR | 2SD1991A Q, R, S | | トランジスタ | 01 | |
| Q707 | VV900500 | TR | 2SD1991A Q, R, S | | トランジスタ | 01 | |
| Q708 | VV900500 | TR | 2SD1991A Q, R, S | | トランジスタ | 01 | |
| Q709 | VV900500 | TR | 2SD1991A Q, R, S | | トランジスタ | 01 | |
| * R741 | V8070300 | R. MTL. FLM | 10Ω 1W | | 金属被膜抵抗 | | |
| * R742 | V8070300 | R. MTL. FLM | 10Ω 1W | | 金属被膜抵抗 | | |
| SW701 | VV020300 | SW. TACT | SKQNAA | | タクト SW | 01 | |
| SW702 | VV020300 | SW. TACT | SKQNAA | | タクト SW | 01 | |
| SW703 | VV020300 | SW. TACT | SKQNAA | | タクト SW | 01 | |
| SW704 | VV020300 | SW. TACT | SKQNAA | | タクト SW | 01 | |
| SW705 | VV020300 | SW. TACT | SKQNAA | | タクト SW | 01 | |
| SW706 | VV020300 | SW. TACT | SKQNAA | | タクト SW | 01 | |
| SW707 | VV020300 | SW. TACT | SKQNAA | | タクト SW | 01 | |
| SW708 | VV020300 | SW. TACT | SKQNAA | | タクト SW | 01 | |
| SW709 | VV020300 | SW. TACT | SKQNAA | | タクト SW | 01 | |
| SW710 | VV020300 | SW. TACT | SKQNAA | | タクト SW | 01 | |
| SW711 | VV020300 | SW. TACT | SKQNAA | BG | タクト SW | 01 | |
| SW712 | VV020300 | SW. TACT | SKQNAA | BG | タクト SW | 01 | |
| SW713 | VV020300 | SW. TACT | SKQNAA | BG | タクト SW | 01 | |
| SW714 | VV020300 | SW. TACT | SKQNAA | BG | タクト SW | 01 | |
| SW715 | VV020300 | SW. TACT | SKQNAA | | タクト SW | 01 | |
| SW716 | VV020300 | SW. TACT | SKQNAA | | タクト SW | 01 | |
| SW717 | VV020300 | SW. TACT | SKQNAA | | タクト SW | 01 | |
| SW718 | VV020300 | SW. TACT | SKQNAA | | タクト SW | 01 | |
| SW719 | V6322700 | SW. RT. ENC | REB161 (9X7)PVB | | ロータリーエンコーダ | 04 | |
| SW781 | VV020300 | SW. TACT | SKQNAA | | タクト SW | 01 | |
| * U701 | V8444900 | L. DTCT | GP1UM271XK | | リモコン受光ユニット | | |
| * V701 | V8300400 | FL. DSPLY | HNA-16MM37 | | 蛍光表示管 | | |
| VR741 | V7455900 | VR | B 20K RK14K1240 | | 二連ロータリーVR | 04 | |
| VR742 | V7456000 | VR | W 25K RK14K1240 | | 二連ロータリーVR | 04 | |
| | V6880300 | SHEET | | | シート/FL | | |
| | V6007100 | SPACER | 4.6/10/32 | | スペーサ FL | | |
| * * * * * | V8701700 | P. C. B. | DSP | AX530 | J | P C B D S P | |
| | V8701800 | P. C. B. | DSP | V530, 5550 | UCRTKABGL | P C B D S P | |
| | V8701900 | P. C. B. | DSP | AX430 | J | P C B D S P | |
| | V8702000 | P. C. B. | DSP | V430, 5540 | UCRTKABGL | P C B D S P | |
| CB602 | VQ046400 | CN. BS. PIN | 35P SE | | | FFCコネクタ | 01 |
| C600 | US061220 | C. CE. M. CHP | 22pF 50V | | | チップセラコン | 01 |
| C601 | US135100 | C. CE. CHP | 0. 1uF 16V | AX530, V530, 5550 | | チップセラコン | 01 |
| C602 | US135100 | C. CE. CHP | 0. 1uF 16V | AX530, V530, 5550 | | チップセラコン | 01 |
| C603 | US135100 | C. CE. CHP | 0. 1uF 16V | | | チップセラコン | 01 |
| C604 | US135100 | C. CE. CHP | 0. 1uF 16V | AX530, V530, 5550 | | チップセラコン | 01 |
| C605 | US135100 | C. CE. CHP | 0. 1uF 16V | | | チップセラコン | 01 |
| C606 | UR847220 | C. EL | 22uF 25V | | | ケミコン | 01 |
| C607 | UR819100 | C. EL | 1000uF 6. 3V | AX530, V530, 5550 | | ケミコン | 01 |
| C608 | US135100 | C. CE. CHP | 0. 1uF 16V | AX530, V530, 5550 | | チップセラコン | 01 |
| C609 | US135100 | C. CE. CHP | 0. 1uF 16V | AX530, V530, 5550 | | チップセラコン | 01 |

* New Parts * 新規部品 (マーク#の部品は、基板に含まれません)

RX-V530/RX-V530RDS/HTR-5550/HTR-5550RDS/DSP-AX530
 RX-V430/RX-V430RDS/HTR-5540/HTR-5540RDS/DSP-AX430

P.C.B. DSP

| Schm Ref. | PART NO. | Description | Remarks | Markets | 部 品 名 | Rank |
|-----------|----------|---------------|-------------|-------------------|---------|------|
| C610 | US061100 | C. CE. M. CHP | 10pF 50V | | チップセラコン | 01 |
| C611 | US135100 | C. CE. CHP | 0.1uF 16V | | チップセラコン | 01 |
| C612 | UR818100 | C. EL | 100uF 6.3V | J | ケミコン | 01 |
| C613 | US062220 | C. CE. CHP | 220pF 50V | | チップセラコン | 01 |
| C614 | US063100 | C. CE. M. CHP | 1000pF 50V | | チップセラコン | 01 |
| C615 | US044220 | C. CE. M. CHP | 0.022uF 25V | AX530, V530, 5550 | チップセラコン | 01 |
| C616 | UR818100 | C. EL | 100uF 6.3V | J | ケミコン | 01 |
| C617 | UR818100 | C. EL | 100uF 6.3V | J | ケミコン | 01 |
| C618 | US061330 | C. CE. M. CHP | 33pF 50V | AX530, V530, 5550 | チップセラコン | 01 |
| C619 | US135100 | C. CE. CHP | 0.1uF 16V | J | チップセラコン | 01 |
| C620 | US062100 | C. CE. M. CHP | 100pF 50V | J | チップセラコン | 01 |
| C621 | US135100 | C. CE. CHP | 0.1uF 16V | J | チップセラコン | 01 |
| C622 | UR819100 | C. EL | 1000uF 6.3V | | ケミコン | 01 |
| C623 | VJ599100 | C. CE. TUBLR | 0.1uF 50V | | 円筒セラコン | 01 |
| C626 | US063100 | C. CE. M. CHP | 1000pF 50V | AX530, V530, 5550 | チップセラコン | 01 |
| C627 | US135100 | C. CE. CHP | 0.1uF 16V | AX530, V530, 5550 | チップセラコン | 01 |
| C628 | US135100 | C. CE. CHP | 0.1uF 16V | | チップセラコン | 01 |
| C629 | US061100 | C. CE. M. CHP | 10pF 50V | AX530, V530, 5550 | チップセラコン | 01 |
| C630 | US135100 | C. CE. CHP | 0.1uF 16V | | チップセラコン | 01 |
| C631 | US135100 | C. CE. CHP | 0.1uF 16V | AX530, V530, 5550 | チップセラコン | 01 |
| C632 | UR819100 | C. EL | 1000uF 6.3V | | ケミコン | 01 |
| C633 | UR818100 | C. EL | 100uF 6.3V | J | ケミコン | 01 |
| C634 | UR819100 | C. EL | 1000uF 6.3V | | ケミコン | 01 |
| C635 | US135100 | C. CE. CHP | 0.1uF 16V | J | チップセラコン | 01 |
| C636 | US135100 | C. CE. CHP | 0.1uF 16V | | チップセラコン | 01 |
| C637 | UR818100 | C. EL | 100uF 6.3V | | ケミコン | 01 |
| C638 | UR819100 | C. EL | 1000uF 6.3V | | ケミコン | 01 |
| C639 | US135100 | C. CE. CHP | 0.1uF 16V | | チップセラコン | 01 |
| C640 | US135100 | C. CE. CHP | 0.1uF 16V | | チップセラコン | 01 |
| C641 | US135100 | C. CE. CHP | 0.1uF 16V | | チップセラコン | 01 |
| C642 | US135100 | C. CE. CHP | 0.1uF 16V | | チップセラコン | 01 |
| C643 | UR818470 | C. EL | 470uF 6.3V | | ケミコン | 01 |
| C644 | UR818100 | C. EL | 100uF 6.3V | | ケミコン | 01 |
| C645 | US135100 | C. CE. CHP | 0.1uF 16V | | チップセラコン | 01 |
| C646 | US061330 | C. CE. M. CHP | 33pF 50V | | チップセラコン | 01 |
| C647 | US135100 | C. CE. CHP | 0.1uF 16V | | チップセラコン | 01 |
| C648 | US061330 | C. CE. M. CHP | 33pF 50V | | チップセラコン | 01 |
| C649 | US135100 | C. CE. CHP | 0.1uF 16V | | チップセラコン | 01 |
| C650 | UR818470 | C. EL | 470uF 6.3V | | ケミコン | 01 |
| C651 | US062470 | C. CE. M. CHP | 470pF 50V | | チップセラコン | 01 |
| C652 | US135100 | C. CE. CHP | 0.1uF 16V | J | チップセラコン | 01 |
| C653 | UR818100 | C. EL | 100uF 6.3V | J | ケミコン | 01 |
| C654 | US061470 | C. CE. M. CHP | 47pF 50V | | チップセラコン | 01 |
| C656 | US061470 | C. CE. M. CHP | 47pF 50V | | チップセラコン | 01 |
| C657 | US061470 | C. CE. M. CHP | 47pF 50V | | チップセラコン | 01 |
| C658 | US061470 | C. CE. M. CHP | 47pF 50V | J | チップセラコン | 01 |
| C660 | US135100 | C. CE. CHP | 0.1uF 16V | J | チップセラコン | 01 |
| C661 | US061470 | C. CE. M. CHP | 47pF 50V | J | チップセラコン | 01 |
| C663 | US061470 | C. CE. M. CHP | 47pF 50V | | チップセラコン | 01 |
| C664 | US061470 | C. CE. M. CHP | 47pF 50V | | チップセラコン | 01 |
| C665 | UR818100 | C. EL | 100uF 6.3V | | ケミコン | 01 |
| C666 | US061470 | C. CE. M. CHP | 47pF 50V | J | チップセラコン | 01 |
| C667 | US135100 | C. CE. CHP | 0.1uF 16V | | チップセラコン | 01 |

* New Parts * 新規部品(マーク#の部品は、基板に含まれません)

RX-V530/RX-V530RDS/HTR-5550/HTR-5550RDS/DSP-AX530
RX-V430/RX-V430RDS/HTR-5540/HTR-5540RDS/DSP-AX430

P.C.B. DSP

| Schm Ref. | PART NO. | Description | Remarks | Markets | 部 品 名 | Rank | |
|-----------|----------|---------------|---------|---------|-------|---------|----|
| C668 | US135100 | C. CE. CHP | 0. 1uF | 16V | | チップセラコン | 01 |
| C669 | US135100 | C. CE. CHP | 0. 1uF | 16V | | チップセラコン | 01 |
| C670 | US063470 | C. CE. CHP | 4700pF | 50V | | チップセラコン | 01 |
| C671 | US135100 | C. CE. CHP | 0. 1uF | 16V | J | チップセラコン | 01 |
| C672 | US135100 | C. CE. CHP | 0. 1uF | 16V | J | チップセラコン | 01 |
| C673 | UR818100 | C. EL | 100uF | 6. 3V | J | ケミコン | 01 |
| C674 | US135100 | C. CE. CHP | 0. 1uF | 16V | | チップセラコン | 01 |
| C675 | UR818100 | C. EL | 100uF | 6. 3V | J | ケミコン | 01 |
| C676 | UR818100 | C. EL | 100uF | 6. 3V | J | ケミコン | 01 |
| C677 | US135100 | C. CE. CHP | 0. 1uF | 16V | J | チップセラコン | 01 |
| C678 | US063470 | C. CE. CHP | 4700pF | 50V | | チップセラコン | 01 |
| C679 | UR818100 | C. EL | 100uF | 6. 3V | | ケミコン | 01 |
| C680 | US135100 | C. CE. CHP | 0. 1uF | 16V | | チップセラコン | 01 |
| C681 | US135100 | C. CE. CHP | 0. 1uF | 16V | | チップセラコン | 01 |
| C682 | US135100 | C. CE. CHP | 0. 1uF | 16V | J | チップセラコン | 01 |
| C683 | US135100 | C. CE. CHP | 0. 1uF | 16V | J | チップセラコン | 01 |
| C684 | UR817470 | C. EL | 47uF | 6. 3V | J | ケミコン | 01 |
| C685 | UR866220 | C. EL | 2. 2uF | 50V | J | ケミコン | 01 |
| C686 | UR818100 | C. EL | 100uF | 6. 3V | J | ケミコン | 01 |
| C687 | UR818100 | C. EL | 100uF | 6. 3V | J | ケミコン | 01 |
| C688 | UR818100 | C. EL | 100uF | 6. 3V | | ケミコン | 01 |
| C689 | US135100 | C. CE. CHP | 0. 1uF | 16V | | チップセラコン | 01 |
| C690 | UR819100 | C. EL | 1000uF | 6. 3V | | ケミコン | 01 |
| C691 | US135100 | C. CE. CHP | 0. 1uF | 16V | | チップセラコン | 01 |
| C692 | US064100 | C. CE. M. CHP | 0. 01uF | 50V | J | チップセラコン | 01 |
| C693 | US062470 | C. CE. M. CHP | 470pF | 50V | J | チップセラコン | 01 |
| C694 | US135100 | C. CE. CHP | 0. 1uF | 16V | | チップセラコン | 01 |
| C695 | UR819100 | C. EL | 1000uF | 6. 3V | | ケミコン | 01 |
| C696 | US135100 | C. CE. CHP | 0. 1uF | 16V | J | チップセラコン | 01 |
| C697 | UR818100 | C. EL | 100uF | 6. 3V | J | ケミコン | 01 |
| C698 | US135100 | C. CE. CHP | 0. 1uF | 16V | | チップセラコン | 01 |
| C699 | US061470 | C. CE. M. CHP | 47pF | 50V | | チップセラコン | 01 |
| C700 | US061470 | C. CE. M. CHP | 47pF | 50V | | チップセラコン | 01 |
| C701 | US061470 | C. CE. M. CHP | 47pF | 50V | | チップセラコン | 01 |
| C702 | US061470 | C. CE. M. CHP | 47pF | 50V | | チップセラコン | 01 |
| C703 | US061470 | C. CE. M. CHP | 47pF | 50V | | チップセラコン | 01 |
| C704 | US061470 | C. CE. M. CHP | 47pF | 50V | | チップセラコン | 01 |
| C705 | US061470 | C. CE. M. CHP | 47pF | 50V | | チップセラコン | 01 |
| C706 | US061470 | C. CE. M. CHP | 47pF | 50V | | チップセラコン | 01 |
| C707 | US061470 | C. CE. M. CHP | 47pF | 50V | | チップセラコン | 01 |
| C708 | US061470 | C. CE. M. CHP | 47pF | 50V | | チップセラコン | 01 |
| C709 | US061470 | C. CE. M. CHP | 47pF | 50V | | チップセラコン | 01 |
| C710 | US061470 | C. CE. M. CHP | 47pF | 50V | | チップセラコン | 01 |
| C711 | US135100 | C. CE. CHP | 0. 1uF | 16V | | チップセラコン | 01 |
| C712 | US135100 | C. CE. CHP | 0. 1uF | 16V | | チップセラコン | 01 |
| C713 | US135100 | C. CE. CHP | 0. 1uF | 16V | | チップセラコン | 01 |
| C714 | US135100 | C. CE. CHP | 0. 1uF | 16V | | チップセラコン | 01 |
| C715 | UR818100 | C. EL | 100uF | 6. 3V | | ケミコン | 01 |
| C716 | UR818100 | C. EL | 100uF | 6. 3V | | ケミコン | 01 |
| C717 | US135100 | C. CE. CHP | 0. 1uF | 16V | | チップセラコン | 01 |
| C718 | US135100 | C. CE. CHP | 0. 1uF | 16V | | チップセラコン | 01 |
| C719 | US135100 | C. CE. CHP | 0. 1uF | 16V | | チップセラコン | 01 |
| C720 | UR866220 | C. EL | 2. 2uF | 50V | | ケミコン | 01 |

* New Parts * 新規部品(マーク#の部品は、基板に含まれません)

P.C.B. DSP

| Schm Ref. | PART NO. | Description | Remarks | Markets | 部 品 名 | Rank | |
|-----------|----------|-------------|-----------|-------------------|-------|-------------|----|
| C721 | UR828100 | C. EL | 100uF | 10V | | ケミコン | 01 |
| C730 | UA653150 | C. MYLAR | 1500pF | 50V | | マイラーコン | 01 |
| C731 | UA653150 | C. MYLAR | 1500pF | 50V | | マイラーコン | 01 |
| C736 | UA652100 | C. MYLAR | 100pF | 50V | | マイラーコン | 01 |
| C737 | UA652100 | C. MYLAR | 100pF | 50V | | マイラーコン | 01 |
| C742 | UR847100 | C. EL | 10uF | 25V | | ケミコン | 01 |
| C743 | UR866220 | C. EL | 2.2uF | 50V | | ケミコン | 01 |
| C744 | UR866220 | C. EL | 2.2uF | 50V | | ケミコン | 01 |
| C745 | UR847100 | C. EL | 10uF | 25V | | ケミコン | 01 |
| C746 | UR866220 | C. EL | 2.2uF | 50V | | ケミコン | 01 |
| C747 | UR866220 | C. EL | 2.2uF | 50V | | ケミコン | 01 |
| C756 | UA652100 | C. MYLAR | 100pF | 50V | | マイラーコン | 01 |
| C757 | UA652100 | C. MYLAR | 100pF | 50V | | マイラーコン | 01 |
| C758 | UA652470 | C. MYLAR | 470pF | 50V | | マイラーコン | 01 |
| C759 | UA652470 | C. MYLAR | 470pF | 50V | | マイラーコン | 01 |
| C760 | UA652470 | C. MYLAR | 470pF | 50V | | マイラーコン | 01 |
| C761 | UA652470 | C. MYLAR | 470pF | 50V | | マイラーコン | 01 |
| C762 | UA652470 | C. MYLAR | 470pF | 50V | | マイラーコン | 01 |
| C763 | UA652470 | C. MYLAR | 470pF | 50V | | マイラーコン | 01 |
| C764 | UR847100 | C. EL | 10uF | 25V | | ケミコン | 01 |
| C765 | UR847100 | C. EL | 10uF | 25V | | ケミコン | 01 |
| C766 | UR866220 | C. EL | 2.2uF | 50V | | ケミコン | 01 |
| C767 | UR866220 | C. EL | 2.2uF | 50V | | ケミコン | 01 |
| C768 | UR866220 | C. EL | 2.2uF | 50V | | ケミコン | 01 |
| C769 | UR866220 | C. EL | 2.2uF | 50V | | ケミコン | 01 |
| C770 | UR847100 | C. EL | 10uF | 25V | | ケミコン | 01 |
| C771 | US135100 | C. CE. CHP | 0.1uF | 16V | | チップセラコン | 01 |
| C772 | UR847220 | C. EL | 22uF | 25V | | ケミコン | 01 |
| C773 | UR847220 | C. EL | 22uF | 25V | | ケミコン | 01 |
| C774 | UR837470 | C. EL | 47uF | 16V | | ケミコン | 01 |
| C775 | UR837470 | C. EL | 47uF | 16V | | ケミコン | 01 |
| C776 | UR837470 | C. EL | 47uF | 16V | | ケミコン | 01 |
| C777 | UR837470 | C. EL | 47uF | 16V | | ケミコン | 01 |
| C778 | US135100 | C. CE. CHP | 0.1uF | 16V | | チップセラコン | 01 |
| C779 | US135100 | C. CE. CHP | 0.1uF | 16V | | チップセラコン | 01 |
| C780 | US135100 | C. CE. CHP | 0.1uF | 16V | | チップセラコン | 01 |
| C781 | US135100 | C. CE. CHP | 0.1uF | 16V | | チップセラコン | 01 |
| C782 | US135100 | C. CE. CHP | 0.1uF | 16V | | チップセラコン | 01 |
| C791 | US135100 | C. CE. CHP | 0.1uF | 16V | | チップセラコン | 01 |
| C793 | US135100 | C. CE. CHP | 0.1uF | 16V | | チップセラコン | 01 |
| C794 | US135100 | C. CE. CHP | 0.1uF | 16V | | チップセラコン | 01 |
| C795 | US135100 | C. CE. CHP | 0.1uF | 16V | | チップセラコン | 01 |
| D600 | VT332900 | DIODE | 1SS355 | | | ダイオード | 01 |
| D601 | VT332900 | DIODE | 1SS355 | | | ダイオード | 01 |
| D602 | VV220700 | DIODE. SHOT | RB501V-40 | AX530, V530, 5550 | | ショットキーダイオード | 01 |
| D603 | VV220700 | DIODE. SHOT | RB501V-40 | AX530, V530, 5550 | | ショットキーダイオード | 01 |
| D604 | VT332900 | DIODE | 1SS355 | | | ダイオード | 01 |
| D605 | VT332900 | DIODE | 1SS355 | | | ダイオード | 01 |
| D606 | VT332900 | DIODE | 1SS355 | | | ダイオード | 01 |
| D607 | VT332900 | DIODE | 1SS355 | | | ダイオード | 01 |
| D608 | VV220700 | DIODE. SHOT | RB501V-40 | | | ショットキーダイオード | 01 |
| D609 | VV220700 | DIODE. SHOT | RB501V-40 | | | ショットキーダイオード | 01 |
| D610 | VV220700 | DIODE. SHOT | RB501V-40 | | | ショットキーダイオード | 01 |

* New Parts * 新規部品(マーク#の部品は、基板に含まれません)

RX-V530/RX-V530RDS/HTR-5550/HTR-5550RDS/DSP-AX530
 RX-V430/RX-V430RDS/HTR-5540/HTR-5540RDS/DSP-AX430

P.C.B. DSP

| Schm Ref. | PART NO. | Description | Remarks | Markets | 部 品 名 | Rank |
|-----------|----------|--------------|--------------------|-------------------|-------------|------|
| D611 | VV220700 | DIODE. SHOT | RB501V-40 | | ショットキーダイオード | 01 |
| D612 | VV220700 | DIODE. SHOT | RB501V-40 | | ショットキーダイオード | 01 |
| D613 | VV220700 | DIODE. SHOT | RB501V-40 | | ショットキーダイオード | 01 |
| D614 | VV220700 | DIODE. SHOT | RB501V-40 | | ショットキーダイオード | 01 |
| D615 | VV220700 | DIODE. SHOT | RB501V-40 | | ショットキーダイオード | 01 |
| G601 | V8880000 | TERM. GND | M3.5 RJP9899 | | アース端子 | |
| G602 | V8880000 | TERM. GND | M3.5 RJP9899 | | アース端子 | |
| G603 | V8880000 | TERM. GND | M3.5 RJP9899 | | アース端子 | |
| IC600 | X0238A00 | IC | YSS938-F | | IC | 12 |
| IC601 | XV077A00 | IC | MSM514260C-60JS | | メモリ IC 4M | 07 |
| IC602 | XZ003A00 | IC | PQ025EZ5MZP 2.5V | | 電源 IC QFP | 03 |
| IC603 | XU965A00 | IC | uPC29M33T-E1 3.3V | | 電源 IC | 03 |
| IC604 | X0202A00 | IC | CS493292-CLR | | IC | |
| IC605 | XR038A00 | IC | NJM2904M OP AMP | AX530, V530, 5550 | IC | 01 |
| IC606 | XY120A00 | IC | TC74HCT00AF(EL) NA | AX530, V530, 5550 | ロジック IC SOP | 01 |
| IC607 | XD660A00 | IC | TC74HCU04AF-TP1 | | IC | 01 |
| IC608 | XW433A00 | IC | CY62256LL-70SNCT | | メモリ IC 256K | 05 |
| IC609 | X0318C00 | IC | XC9572XL-10TQ100C | | IC | 08 |
| IC610 | XZ012A00 | IC | TC74HCT08AF(EL) | | ロジック IC SOP | 01 |
| IC614 | X0237A00 | IC | AK4527BVQ | | IC | |
| IC617 | XF291A00 | IC | uPC4570G2 | | IC | 03 |
| IC618 | XF291A00 | IC | uPC4570G2 | | IC | 03 |
| IC619 | XF291A00 | IC | uPC4570G2 | | IC | 03 |
| IC620 | XF291A00 | IC | uPC4570G2 | | IC | 03 |
| IC621 | XF291A00 | IC | uPC4570G2 | | IC | 03 |
| L600 | V2726500 | COIL | 68uH | AX530, V530, 5550 | コイル | 01 |
| L601 | V2726500 | COIL | 68uH | AX530, V530, 5550 | コイル | 01 |
| L602 | V2726500 | COIL | 68uH | | コイル | 01 |
| PJ600 | V4483900 | JACK. PIN | YKC21-3895 | | ピンジャック 1P | |
| Q601 | VC124000 | TR. DGT | DTA144EK | | デジタルトランジスタ | 03 |
| Q602 | VD303700 | TR | 2SC3326 A, B | | トランジスタ | 01 |
| Q603 | VD303700 | TR | 2SC3326 A, B | | トランジスタ | 01 |
| Q604 | VD303700 | TR | 2SC3326 A, B | | トランジスタ | 01 |
| R613 | HV753220 | R. CAR. FP | 2.2Ω 1/4W | | 不燃化カーボン抵抗 | 01 |
| R661 | HV753220 | R. CAR. FP | 2.2Ω 1/4W | | 不燃化カーボン抵抗 | 01 |
| R684 | HV753220 | R. CAR. FP | 2.2Ω 1/4W | | 不燃化カーボン抵抗 | 01 |
| R692 | HV753100 | R. CAR. FP | 1Ω 1/4W | | 不燃化カーボン抵抗 | 01 |
| R693 | HV753100 | R. CAR. FP | 1Ω 1/4W | | 不燃化カーボン抵抗 | 01 |
| R694 | VU224000 | R. MTL. FLM | 0.22Ω 1W | | 金属被膜抵抗 | 01 |
| R717 | HV753220 | R. CAR. FP | 2.2Ω 1/4W | | 不燃化カーボン抵抗 | 01 |
| R730 | HV753220 | R. CAR. FP | 2.2Ω 1/4W | | 不燃化カーボン抵抗 | 01 |
| R776 | HV753220 | R. CAR. FP | 2.2Ω 1/4W | | 不燃化カーボン抵抗 | 01 |
| R777 | HV753220 | R. CAR. FP | 2.2Ω 1/4W | | 不燃化カーボン抵抗 | 01 |
| R794 | HV753100 | R. CAR. FP | 1Ω 1/4W | | 不燃化カーボン抵抗 | 01 |
| U600 | V6022800 | CN. FBRLINK | 1P GP1FA551TZ | AX530, V530, 5550 | 光ファイバデータリンク | 03 |
| U601 | V5478200 | CN. PHOT. SN | 1P GP1FA551RZ | AX530, V530, 5550 | 光ファイバ受信器 | 06 |
| U602 | V5478200 | CN. PHOT. SN | 1P GP1FA551RZ | | 光ファイバ受信器 | 06 |
| U603 | V5478200 | CN. PHOT. SN | 1P GP1FA551RZ | AX530, V530, 5550 | 光ファイバ受信器 | 06 |
| XL600 | V3625700 | RSNR. CRYST | 24.576MHz | | 水晶振動子 | 03 |

* New Parts * 新規部品(マーク#の部品は、基板に含まれません)

RX-V530/RX-V530RDS/HTR-5550/HTR-5550RDS/DSP-AX530
 RX-V430/RX-V430RDS/HTR-5540/HTR-5540RDS/DSP-AX430

P.C.B. VIDEO

| Schm Ref. | PART NO. | Description | Remarks | Markets | 部 品 名 | Rank |
|-----------|----------|---------------|-------------------|-------------------|-------------|------|
| | V8706100 | P. C. B. | VIDEO | AX530, V530, 5550 | P C B ビデオ | |
| CB801 | V7827100 | SOCKET | 4P TE TUC SERIES | | コネクタースocket | |
| CB901 | V7827100 | SOCKET | 4P TE TUC SERIES | | コネクタースocket | |
| C801 | US062100 | C. CE. M. CHP | 100pF 50V | | チップセラコン | 01 |
| C802 | US062100 | C. CE. M. CHP | 100pF 50V | | チップセラコン | 01 |
| C803 | UR877100 | C. EL | 10uF 63V | | ケミコン | 01 |
| C804 | UR877100 | C. EL | 10uF 63V | | ケミコン | 01 |
| C805 | UR877100 | C. EL | 10uF 63V | | ケミコン | 01 |
| C806 | US062100 | C. CE. M. CHP | 100pF 50V | | チップセラコン | 01 |
| C807 | US062100 | C. CE. M. CHP | 100pF 50V | | チップセラコン | 01 |
| C808 | UR877100 | C. EL | 10uF 63V | | ケミコン | 01 |
| C809 | UR877100 | C. EL | 10uF 63V | | ケミコン | 01 |
| C810 | UR877100 | C. EL | 10uF 63V | | ケミコン | 01 |
| C811 | UR867330 | C. EL | 33uF 50V | | ケミコン | 01 |
| C812 | UR829100 | C. EL | 1000uF 10V | | ケミコン | 01 |
| C813 | UR867330 | C. EL | 33uF 50V | | ケミコン | 01 |
| C814 | UR829100 | C. EL | 1000uF 10V | | ケミコン | 01 |
| C815 | US063100 | C. CE. M. CHP | 1000pF 50V | | チップセラコン | 01 |
| C816 | US063100 | C. CE. M. CHP | 1000pF 50V | | チップセラコン | 01 |
| C819 | UR877100 | C. EL | 10uF 63V | | ケミコン | 01 |
| C820 | US062100 | C. CE. M. CHP | 100pF 50V | | チップセラコン | 01 |
| C821 | US062100 | C. CE. M. CHP | 100pF 50V | | チップセラコン | 01 |
| C901 | US062100 | C. CE. M. CHP | 100pF 50V | | チップセラコン | 01 |
| C902 | US062100 | C. CE. M. CHP | 100pF 50V | | チップセラコン | 01 |
| C903 | US062100 | C. CE. M. CHP | 100pF 50V | | チップセラコン | 01 |
| C904 | US135100 | C. CE. CHP | 0. 1uF 16V | | チップセラコン | 01 |
| C905 | US135100 | C. CE. CHP | 0. 1uF 16V | | チップセラコン | 01 |
| C906 | UR877100 | C. EL | 10uF 63V | | ケミコン | 01 |
| C907 | UR877100 | C. EL | 10uF 63V | | ケミコン | 01 |
| IC801 | XH436A00 | IC | LA7956 | | IC | 03 |
| IC802 | XH436A00 | IC | LA7956 | | IC | 03 |
| IC901 | XZ177A00 | IC | LA7104M VIDEO AMP | | アンプIC SOP | 04 |
| IC902 | XY877A00 | IC | MM74HC4053SJX | | ロジックIC SOP | |
| JK801 | VU245200 | CN. DIN | 1P | | DINコネクタ | 02 |
| JK802 | VP113600 | CN. DIN | 2P | | DINコネクタ | 03 |
| JK803 | VP113600 | CN. DIN | 2P | | DINコネクタ | 03 |
| PJ901 | V8143900 | JACK PIN | SHIELD YKC21-4348 | | ピンジャック 9 P | 04 |
| Q801 | iC1815I0 | TR | 2SC1815 Y | | トランジスタ | 01 |
| Q802 | iC1815I0 | TR | 2SC1815 Y | | トランジスタ | 01 |
| Q803 | iC1815I0 | TR | 2SC1815 Y | | トランジスタ | 01 |
| Q804 | iC1815I0 | TR | 2SC1815 Y | | トランジスタ | 01 |
| Q805 | iC1815I0 | TR | 2SC1815 Y | | トランジスタ | 01 |
| Q806 | iC1815I0 | TR | 2SC1815 Y | | トランジスタ | 01 |
| Q901 | VD303700 | TR | 2SC3326 A, B | | トランジスタ | 01 |
| R827 | HV753220 | R. CAR. FP | 2. 2Ω 1/4W | | 不燃化カーボン抵抗 | 01 |

* New Parts * 新規部品(マーク#の部品は、基板に含まれません)

RX-V530/RX-V530RDS/HTR-5550/HTR-5550RDS/DSP-AX530
 RX-V430/RX-V430RDS/HTR-5540/HTR-5540RDS/DSP-AX430

P.C.B. MAIN

| Schm Ref. | PART NO. | Description | Remarks | Markets | 部 品 名 | Rank | |
|-----------|----------|-----------------------|-------------------|-------------------|-------|-------------|----|
| * | V8700500 | P. C. B. | MAIN | AX530 | J | P C B メイン | |
| * | V8700600 | P. C. B. | MAIN | V530, 5550 | UC | P C B メイン | |
| * | V8700700 | P. C. B. | MAIN | V530, 5550 | RTKA | P C B メイン | |
| * | V8700800 | P. C. B. | MAIN | V530, 5550 | BG | P C B メイン | |
| * | V8700900 | P. C. B. | MAIN | V530, 5550 | L | P C B メイン | |
| * | V8701000 | P. C. B. | MAIN | AX430 | J | P C B メイン | |
| * | V8701100 | P. C. B. | MAIN | V430, 5540 | UC | P C B メイン | |
| * | V8701200 | P. C. B. | MAIN | V430, 5540 | RTKA | P C B メイン | |
| * | V8700800 | P. C. B. | MAIN | V430, 5540 | BG | P C B メイン | |
| * | V8701400 | P. C. B. | MAIN | V430, 5540 | L | P C B メイン | |
| * | CB101 | V7826600 CN | 16P TE TUC SERIES | | | コネクタープラグ | 01 |
| | CB102 | V7826300 CN | 13P TE TUC SERIES | | | コネクタープラグ | |
| | CB103 | Vi878200 CN. BS. PIN | 4P | | | ケーブルホルダー | 01 |
| | CB104 | Vi878500 CN. BS. PIN | 7P | | | ケーブルホルダー | 01 |
| | CB105 | VR428800 CN. BS. PIN | 3P | | | ケーブルホルダー | 01 |
| | CB110 | VR428800 CN. BS. PIN | 3P | | | ケーブルホルダー | 01 |
| | CB112 | VR428800 CN. BS. PIN | 3P | | | ケーブルホルダー | 01 |
| | CB251 | V7828300 SOCKET | 16P TE TUC SERIES | | | コネクターソケット | 01 |
| * | CB252 | V7828000 SOCKET | 13P TE TUC SERIES | | | コネクターソケット | |
| * | CB253 | VQ046500 CN. BS. PIN | 36P SE | | | F F C コネクター | 01 |
| | CB254 | Vi878700 CN. BS. PIN | 9P | | | ケーブルホルダー | 01 |
| | CB332 | VR428900 CN. BS. PIN | 4P | AX530, V530, 5550 | | ケーブルホルダー | 01 |
| | CB333 | VR428800 CN. BS. PIN | 3P | AX530, V530, 5550 | | ケーブルホルダー | 01 |
| | CB351 | VR428800 CN. BS. PIN | 3P | AX530, V530, 5550 | | ケーブルホルダー | 01 |
| | CB352 | VQ584700 CN. BS. PIN | 5P | AX530, V530, 5550 | | ケーブルホルダー | 01 |
| | CB353 | VR428800 CN. BS. PIN | 3P | AX530, V530, 5550 | | ケーブルホルダー | 01 |
| | CB371 | Vi878200 CN. BS. PIN | 4P | | | ケーブルホルダー | 01 |
| | CB381 | VK025100 CN. BS. PIN | 7P | | | ワイヤートラップ | 01 |
| | CB382 | VK024700 CN. BS. PIN | 3P | | | ワイヤートラップ | 01 |
| | CB384 | VQ585200 CN. BS. PIN | 10P | | | ケーブルホルダー | |
| | CB385 | VQ585200 CN. BS. PIN | 10P | | | ケーブルホルダー | |
| | CB386 | VQ584700 CN. BS. PIN | 5P | | | ケーブルホルダー | 01 |
| | CB391 | VR428800 CN. BS. PIN | 3P | AX430, V430, 5540 | | ケーブルホルダー | 01 |
| | CB392 | VR428800 CN. BS. PIN | 3P | AX430, V430, 5540 | | ケーブルホルダー | 01 |
| | CB393 | VR428800 CN. BS. PIN | 3P | AX430, V430, 5540 | | ケーブルホルダー | 01 |
| | CB394 | VQ584700 CN. BS. PIN | 5P | AX430, V430, 5540 | | ケーブルホルダー | 01 |
| | CB401 | Vi878700 CN. BS. PIN | 9P | | | ケーブルホルダー | 01 |
| * | CB402 | V7825600 CN | 6P TE TUC SERIES | | | コネクタープラグ | |
| | C101 | UR867470 C. EL | 47uF 50V | | | ケミコン | 01 |
| | C102 | VR325000 C. MYLAR | 100pF 100V | | | マイラーコン | 01 |
| | C103 | UR847470 C. EL | 47uF 25V | | | ケミコン | 01 |
| | C104 | VR325000 C. MYLAR | 100pF 100V | | | マイラーコン | 01 |
| | C105 | VK399200 C. MYLAR. ML | 0.39uF 50V | | | 積層マイラーコン | 01 |
| | C106 | UA654680 C. MYLAR | 0.068uF 50V | | | マイラーコン | 02 |
| | C107 | UR867470 C. EL | 47uF 50V | | | ケミコン | 01 |
| | C108 | VR325000 C. MYLAR | 100pF 100V | | | マイラーコン | 01 |
| | C109 | UR847470 C. EL | 47uF 25V | | | ケミコン | 01 |
| | C110 | VR325000 C. MYLAR | 100pF 100V | | | マイラーコン | 01 |
| | C111 | VK399200 C. MYLAR. ML | 0.39uF 50V | | | 積層マイラーコン | 01 |
| | C112 | UA654680 C. MYLAR | 0.068uF 50V | | | マイラーコン | 02 |
| | C113 | UR867470 C. EL | 47uF 50V | | | ケミコン | 01 |
| | C114 | VR325000 C. MYLAR | 100pF 100V | | | マイラーコン | 01 |
| | C115 | UR847470 C. EL | 47uF 25V | | | ケミコン | 01 |

* New Parts * 新規部品(マーク#の部品は、基板に含まれません)

RX-V530/RX-V530RDS/HTR-5550/HTR-5550RDS/DSP-AX530
 RX-V430/RX-V430RDS/HTR-5540/HTR-5540RDS/DSP-AX430

P.C.B. MAIN

| Schm Ref. | PART NO. | Description | Remarks | Markets | 部 品 名 | Rank |
|-----------|----------|-------------|---------|---------|--------|------|
| C116 | VR325000 | C. MYLAR | 100pF | 100V | マイラーコン | 01 |
| C117 | UA654680 | C. MYLAR | 0.068uF | 50V | マイラーコン | 02 |
| C118 | UR867470 | C. EL | 47uF | 50V | ケミコン | 01 |
| C119 | VR325000 | C. MYLAR | 100pF | 100V | マイラーコン | 01 |
| C120 | UR847470 | C. EL | 47uF | 25V | ケミコン | 01 |
| C121 | VR325000 | C. MYLAR | 100pF | 100V | マイラーコン | 01 |
| C122 | UA654680 | C. MYLAR | 0.068uF | 50V | マイラーコン | 02 |
| C123 | UR867470 | C. EL | 47uF | 50V | ケミコン | 01 |
| C124 | VR325000 | C. MYLAR | 100pF | 100V | マイラーコン | 01 |
| C125 | UR847470 | C. EL | 47uF | 25V | ケミコン | 01 |
| C126 | VR325000 | C. MYLAR | 100pF | 100V | マイラーコン | 01 |
| C127 | UA654680 | C. MYLAR | 0.068uF | 50V | マイラーコン | 02 |
| C128 | UR877220 | C. EL | 22uF | 63V | ケミコン | 01 |
| * C129 | UR876470 | C. EL | 4.7uF | 63V | ケミコン | |
| C130 | VT898000 | C. MYLAR | 0.1uF | 100V | マイラーコン | |
| C131 | VT898000 | C. MYLAR | 0.1uF | 100V | マイラーコン | |
| * C132 | UR866470 | C. EL | 4.7uF | 50V | ケミコン | 01 |
| * C133 | V8584600 | C. PP | 220pF | 630V | P P コン | |
| C134 | UR847470 | C. EL | 47uF | 25V | ケミコン | 01 |
| C135 | UR818100 | C. EL | 100uF | 6.3V | ケミコン | 01 |
| C136 | UR866470 | C. EL | 4.7uF | 50V | ケミコン | 01 |
| C137 | UR866470 | C. EL | 4.7uF | 50V | ケミコン | 01 |
| C251 | UR877220 | C. EL | 22uF | 63V | ケミコン | 01 |
| C252 | UR877220 | C. EL | 22uF | 63V | ケミコン | 01 |
| C253 | UR877100 | C. EL | 10uF | 63V | ケミコン | 01 |
| C254 | VQ462600 | C. MYLAR | 220pF | 50V | マイラーコン | 01 |
| C255 | VQ462600 | C. MYLAR | 220pF | 50V | マイラーコン | 01 |
| C256 | UA653100 | C. MYLAR | 1000pF | 50V | マイラーコン | 03 |
| C257 | UR868100 | C. EL | 100uF | 50V | ケミコン | 01 |
| * C258 | V8584300 | C. PP | 33pF | 630V | P P コン | |
| C259 | UR877100 | C. EL | 10uF | 63V | ケミコン | 01 |
| C260 | VQ462600 | C. MYLAR | 220pF | 50V | マイラーコン | 01 |
| C261 | VQ462600 | C. MYLAR | 220pF | 50V | マイラーコン | 01 |
| C262 | UA653100 | C. MYLAR | 1000pF | 50V | マイラーコン | 03 |
| C263 | UR868100 | C. EL | 100uF | 50V | ケミコン | 01 |
| * C264 | V8584300 | C. PP | 33pF | 630V | P P コン | |
| C265 | UR877100 | C. EL | 10uF | 63V | ケミコン | 01 |
| C266 | UA652220 | C. MYLAR | 220pF | 50V | マイラーコン | 01 |
| C267 | UA652220 | C. MYLAR | 220pF | 50V | マイラーコン | 01 |
| C268 | UA653100 | C. MYLAR | 1000pF | 50V | マイラーコン | 03 |
| C269 | UR857470 | C. EL | 47uF | 35V | ケミコン | 01 |
| C270 | VS696700 | C. CE | 33pF | 500V | セラコン | 01 |
| C271 | UR877100 | C. EL | 10uF | 63V | ケミコン | 01 |
| C272 | UA652220 | C. MYLAR | 220pF | 50V | マイラーコン | 01 |
| C273 | UA652220 | C. MYLAR | 220pF | 50V | マイラーコン | 01 |
| C274 | UA653100 | C. MYLAR | 1000pF | 50V | マイラーコン | 03 |
| C275 | UR857470 | C. EL | 47uF | 35V | ケミコン | 01 |
| C276 | VS696700 | C. CE | 33pF | 500V | セラコン | 01 |
| C277 | UR877100 | C. EL | 10uF | 63V | ケミコン | 01 |
| C278 | VQ462600 | C. MYLAR | 220pF | 50V | マイラーコン | 01 |
| C279 | UA652220 | C. MYLAR | 220pF | 50V | マイラーコン | 01 |
| C280 | UA653100 | C. MYLAR | 1000pF | 50V | マイラーコン | 03 |
| C281 | UR867470 | C. EL | 47uF | 50V | ケミコン | 01 |

* New Parts * 新規部品(マーク#の部品は、基板に含まれません)

RX-V530/RX-V530RDS/HTR-5550/HTR-5550RDS/DSP-AX530
RX-V430/RX-V430RDS/HTR-5540/HTR-5540RDS/DSP-AX430

P.C.B. MAIN

| Schm Ref. | PART NO. | Description | Remarks | Markets | 部 品 名 | Rank |
|-----------|----------|-------------|-------------|-----------------------------|----------------|------|
| * C282 | V8584300 | C. PP | 33pF 630V | | P P コン | |
| C283 | UT653100 | C. PP | 1000pF 100V | | P P コン | 01 |
| C284 | UR838100 | C. EL | 100uF 16V | | ケミコン | 01 |
| C341 | UA654220 | C. MYLAR | 0.022uF 50V | V530, 5550, 430RDS, 5540RDS | RTKABGL マイラーコン | 01 |
| C342 | UA654220 | C. MYLAR | 0.022uF 50V | V530, 5550, 430RDS, 5540RDS | RTKABGL マイラーコン | 01 |
| C343 | UA654100 | C. MYLAR | 0.01uF 50V | V530, 5550, 430RDS, 5540RDS | RTKABGL マイラーコン | 01 |
| C344 | UA654100 | C. MYLAR | 0.01uF 50V | V530, 5550, 430RDS, 5540RDS | RTKABGL マイラーコン | 01 |
| C351 | UA654220 | C. MYLAR | 0.022uF 50V | V530, 5550, 430RDS, 5540RDS | RTKABGL マイラーコン | 01 |
| C353 | UA654220 | C. MYLAR | 0.022uF 50V | V530, 5550, 430RDS, 5540RDS | RTKABGL マイラーコン | 01 |
| C354 | UA654220 | C. MYLAR | 0.022uF 50V | V530, 5550, 430RDS, 5540RDS | RTKABGL マイラーコン | 01 |
| C371 | UA654100 | C. MYLAR | 0.01uF 50V | | RTKABGL マイラーコン | 01 |
| C372 | UA654100 | C. MYLAR | 0.01uF 50V | | RTKABGL マイラーコン | 01 |
| C373 | UA654100 | C. MYLAR | 0.01uF 50V | | RTKABGL マイラーコン | 01 |
| C374 | UA654100 | C. MYLAR | 0.01uF 50V | | RTKABGL マイラーコン | 01 |
| C375 | UA653100 | C. MYLAR | 1000pF 50V | | マイラーコン | 03 |
| C376 | UA654100 | C. MYLAR | 0.01uF 50V | | RTKABGL マイラーコン | 01 |
| △ C381 | V4926300 | C. EL | 8200uF 63V | | ケミコン | |
| △ C382 | V4926300 | C. EL | 8200uF 63V | | ケミコン | |
| C384 | VT898000 | C. MYLAR | 0.1uF 100V | | マイラーコン | |
| C385 | VT898000 | C. MYLAR | 0.1uF 100V | | マイラーコン | |
| C386 | VG291300 | C. EL | 100uF 50V | | ケミコン | 01 |
| C387 | VG291300 | C. EL | 100uF 50V | | ケミコン | 01 |
| C388 | UA655100 | C. MYLAR | 0.1uF 50V | | マイラーコン | 01 |
| C389 | UA655100 | C. MYLAR | 0.1uF 50V | | マイラーコン | 01 |
| C390 | UA654220 | C. MYLAR | 0.22uF 50V | | RTKAL マイラーコン | 01 |
| C391 | UA654220 | C. MYLAR | 0.22uF 50V | | RTKAL マイラーコン | 01 |
| C392 | UA654220 | C. MYLAR | 0.22uF 50V | | RTKAL マイラーコン | 01 |
| C395 | UA654220 | C. MYLAR | 0.22uF 50V | | RTKAL マイラーコン | 01 |
| C399 | UA654220 | C. MYLAR | 0.22uF 50V | | RTKAL マイラーコン | 01 |
| C401 | VG287600 | C. EL | 100uF 25V | | ケミコン | 01 |
| C402 | VG287600 | C. EL | 100uF 25V | | ケミコン | 01 |
| C403 | VG288500 | C. EL | 10uF 25V | | ケミコン | 01 |
| C404 | VG288500 | C. EL | 10uF 25V | | ケミコン | 01 |
| C405 | UR838100 | C. EL | 100uF 16V | | ケミコン | 01 |
| C406 | UR838100 | C. EL | 100uF 16V | | ケミコン | 01 |
| C407 | UR877100 | C. EL | 10uF 63V | | ケミコン | 01 |
| C408 | UR877100 | C. EL | 10uF 63V | | ケミコン | 01 |
| C409 | UR838100 | C. EL | 100uF 16V | | ケミコン | 01 |
| C410 | UR877100 | C. EL | 10uF 63V | | ケミコン | 01 |
| C411 | VD930900 | C. CE. SMI | 0.1uF 25V | | 半導体セラコン | 01 |
| C421 | UA654100 | C. MYLAR | 0.01uF 50V | | RTKAL マイラーコン | 01 |
| C422 | UA654100 | C. MYLAR | 0.01uF 50V | | RTKAL マイラーコン | 01 |
| D101 | VN008700 | DIODE | 1SS270A | | ダイオード | 01 |
| D102 | VN008700 | DIODE | 1SS270A | | ダイオード | 01 |
| D103 | VN008700 | DIODE | 1SS270A | | ダイオード | 01 |
| D104 | VN008700 | DIODE | 1SS270A | | ダイオード | 01 |
| D105 | VN008700 | DIODE | 1SS270A | | ダイオード | 01 |
| D106 | VN008700 | DIODE | 1SS270A | | ダイオード | 01 |
| D107 | VN008700 | DIODE | 1SS270A | | ダイオード | 01 |
| D108 | VN008700 | DIODE | 1SS270A | | ダイオード | 01 |
| D109 | VN008700 | DIODE | 1SS270A | | ダイオード | 01 |
| D110 | VN008700 | DIODE | 1SS270A | | ダイオード | 01 |
| D111 | VD631600 | DIODE | 1SS133, 176 | | ダイオード | 01 |

* New Parts * 新規部品(マーク#の部品は、基板に含まれません)

RX-V530/RX-V530RDS/HTR-5550/HTR-5550RDS/DSP-AX530
 RX-V430/RX-V430RDS/HTR-5540/HTR-5540RDS/DSP-AX430

P.C.B. MAIN

| Schm Ref. | PART NO. | Description | Remarks | Markets | 部 品 名 | Rank |
|-----------|----------|-------------|------------------|------------|-----------|------|
| D112 | VD631600 | DIODE | 1SS133, 176 | | ダイオード | 01 |
| D113 | VD631600 | DIODE | 1SS133, 176 | | ダイオード | 01 |
| D114 | VD631600 | DIODE | 1SS133, 176 | | ダイオード | 01 |
| D115 | VG440300 | DIODE. ZENR | MTZJ12C 12V | | ツェナーダイオード | 01 |
| D116 | VG440300 | DIODE. ZENR | MTZJ12C 12V | | ツェナーダイオード | 01 |
| D117 | VN008700 | DIODE | 1SS270A | | ダイオード | 01 |
| D118 | VN008700 | DIODE | 1SS270A | | ダイオード | 01 |
| D119 | VG437200 | DIODE. ZENR | MTZJ4.7C 4.7V | | ツェナーダイオード | 01 |
| D120 | VG440300 | DIODE. ZENR | MTZJ12C 12V | | ツェナーダイオード | 01 |
| D121 | VG440300 | DIODE. ZENR | MTZJ12C 12V | | ツェナーダイオード | 01 |
| D122 | VG443200 | DIODE. ZENR | MTZJ30A 30V | | ツェナーダイオード | 01 |
| D123 | VN008700 | DIODE | 1SS270A | | ダイオード | 01 |
| D124 | VN008700 | DIODE | 1SS270A | | ダイオード | 01 |
| D125 | VN008700 | DIODE | 1SS270A | | ダイオード | 01 |
| D127 | VG440300 | DIODE. ZENR | MTZJ12C 12V | | ツェナーダイオード | 01 |
| D128 | VG440300 | DIODE. ZENR | MTZJ12C 12V | | ツェナーダイオード | 01 |
| D129 | VG440300 | DIODE. ZENR | MTZJ12C 12V | | ツェナーダイオード | 01 |
| D130 | VG440300 | DIODE. ZENR | MTZJ12C 12V | | ツェナーダイオード | 01 |
| D251 | VD631600 | DIODE | 1SS133, 176 | | ダイオード | 01 |
| D252 | VG440300 | DIODE. ZENR | MTZJ12C 12V | | ツェナーダイオード | 01 |
| D253 | VG438300 | DIODE. ZENR | MTZJ6.8B 6.8V | UCRTRKABGL | ツェナーダイオード | 01 |
| D254 | VG439600 | DIODE. ZENR | MTZJ10C 10V | J | ツェナーダイオード | 01 |
| D254 | VG440300 | DIODE. ZENR | MTZJ12C 12V | UCRTRKABGL | ツェナーダイオード | 01 |
| D255 | VD631600 | DIODE | 1SS133, 176 | | ダイオード | 01 |
| D256 | VD631600 | DIODE | 1SS133, 176 | | ダイオード | 01 |
| D257 | VG440300 | DIODE. ZENR | MTZJ12C 12V | | ツェナーダイオード | 01 |
| D371 | VD631600 | DIODE | 1SS133, 176 | | ダイオード | 01 |
| D372 | VD631600 | DIODE | 1SS133, 176 | | ダイオード | 01 |
| D373 | VG439200 | DIODE. ZENR | MTZJ9.1B 9.1V | | ツェナーダイオード | 01 |
| △ D381 | VM702000 | DIODE. BRG | S5VB20 3.5A 200V | | ダイオード | 04 |
| △ D382 | VS997800 | DIODE | 1T2 | | ダイオード | 01 |
| △ D383 | VS997800 | DIODE | 1T2 | | ダイオード | 01 |
| △ D384 | VS997800 | DIODE | 1T2 | | ダイオード | 01 |
| △ D385 | VS997800 | DIODE | 1T2 | | ダイオード | 01 |
| G381 | V8880000 | TERM. GND | M3.5 RJP9899 | | アース端子 | |
| △ IC401 | XJ608A00 | IC | NJM7812FA | | I C | 02 |
| △ IC402 | XD343A00 | IC | NJM79M12FA | | I C | 03 |
| △ IC403 | XJ607A00 | IC | NJM7805FA 5V | | I C | 02 |
| △ IC404 | XE436A00 | IC | NJM79M05FA | | I C | 03 |
| △ IC405 | XJ607A00 | IC | NJM7805FA 5V | | I C | 02 |
| △ IC406 | X0515A00 | IC | LM61CIZ THERMAL | | 電源 I C | |
| JK371 | V4164400 | JACK. PHONE | YKB21-5209 | | ホンジャック | 03 |
| L101 | VU038200 | COIL | 0.95uH | | 空芯コイル | 02 |
| L102 | VU038200 | COIL | 0.95uH | | 空芯コイル | 02 |
| L103 | V2604200 | COIL | 1uH | | 空芯コイル | 01 |
| L104 | V2604200 | COIL | 1uH | | 空芯コイル | 01 |
| L105 | V2604200 | COIL | 1uH | | 空芯コイル | 01 |
| PN101 | V3750200 | PIN | L=70 | | スタイルピン | |
| PN102 | V3750200 | PIN | L=70 | | スタイルピン | |
| PN251 | V3750200 | PIN | L=70 | | スタイルピン | |
| PN331 | V3750200 | PIN | L=70 | | スタイルピン | |
| PN351 | V3750200 | PIN | L=70 | | スタイルピン | |
| PN395 | V3750200 | PIN | L=70 | | スタイルピン | |

* New Parts * 新規部品(マーク#の部品は、基板に含まれません)

RX-V530/RX-V530RDS/HTR-5550/HTR-5550RDS/DSP-AX530
 RX-V430/RX-V430RDS/HTR-5540/HTR-5540RDS/DSP-AX430

















P.C.B. MAIN

| Schm Ref. | PART NO. | Description | Remarks | Markets | 部 品 名 | Rank |
|-----------|----------|--------------------|---------|-----------|--------|------|
| ▲ Q101 | VK432900 | TR 2SD1915F S, T | | | トランジスタ | 01 |
| ▲ Q102 | V4096100 | TR 2SC4614 S, T | | | トランジスタ | 02 |
| ▲ Q103 | V4096000 | TR 2SA1770 S, T | | | トランジスタ | 03 |
| ▲ Q104A | iX630850 | TR 2SA1695 O, P, Y | | | トランジスタ | 04 |
| ▲ Q104C | iX630860 | TR 2SC4468 O, P, Y | | | トランジスタ | 04 |
| ▲ Q105 | VP883100 | TR 2SC1890A D, E | | | トランジスタ | 01 |
| ▲ Q106 | VK432900 | TR 2SD1915F S, T | | | トランジスタ | 01 |
| ▲ Q107 | V4096100 | TR 2SC4614 S, T | | | トランジスタ | 02 |
| ▲ Q108 | V4096000 | TR 2SA1770 S, T | | | トランジスタ | 03 |
| ▲ Q109A | iX630850 | TR 2SA1695 O, P, Y | | | トランジスタ | 04 |
| ▲ Q109C | iX630860 | TR 2SC4468 O, P, Y | | | トランジスタ | 04 |
| ▲ Q110 | VP883100 | TR 2SC1890A D, E | | | トランジスタ | 01 |
| ▲ Q111 | VK432900 | TR 2SD1915F S, T | | | トランジスタ | 01 |
| ▲ Q112 | V4096100 | TR 2SC4614 S, T | | | トランジスタ | 02 |
| ▲ Q113 | V4096000 | TR 2SA1770 S, T | | | トランジスタ | 03 |
| ▲ Q114A | iX630850 | TR 2SA1695 O, P, Y | | | トランジスタ | 04 |
| ▲ Q114C | iX630860 | TR 2SC4468 O, P, Y | | | トランジスタ | 04 |
| ▲ Q115 | VP883100 | TR 2SC1890A D, E | | | トランジスタ | 01 |
| ▲ Q116 | VK432900 | TR 2SD1915F S, T | | | トランジスタ | 01 |
| ▲ Q117 | V4096100 | TR 2SC4614 S, T | | | トランジスタ | 02 |
| ▲ Q118 | V4096000 | TR 2SA1770 S, T | | | トランジスタ | 03 |
| ▲ Q119A | iX630850 | TR 2SA1695 O, P, Y | | | トランジスタ | 04 |
| ▲ Q119C | iX630860 | TR 2SC4468 O, P, Y | | | トランジスタ | 04 |
| ▲ Q120 | VP883100 | TR 2SC1890A D, E | | | トランジスタ | 01 |
| ▲ Q121 | VK432900 | TR 2SD1915F S, T | | | トランジスタ | 01 |
| ▲ Q122 | VP883000 | TR 2SA893A D, E | | | トランジスタ | 01 |
| ▲ Q123 | V4096100 | TR 2SC4614 S, T | | | トランジスタ | 02 |
| ▲ Q124 | V4096000 | TR 2SA1770 S, T | | | トランジスタ | 03 |
| ▲ Q125A | iX630850 | TR 2SA1695 O, P, Y | | | トランジスタ | 04 |
| ▲ Q125C | iX630860 | TR 2SC4468 O, P, Y | | | トランジスタ | 04 |
| ▲ Q126 | VP883100 | TR 2SC1890A D, E | | | トランジスタ | 01 |
| ▲ Q127 | VS883300 | TR 2SB1565 E, F | | | トランジスタ | 02 |
| ▲ Q128 | VP883000 | TR 2SA893A D, E | | | トランジスタ | 01 |
| ▲ Q129 | iC1815I0 | TR 2SC1815 Y | | | トランジスタ | 01 |
| ▲ Q130 | VP883000 | TR 2SA893A D, E | | | トランジスタ | 01 |
| ▲ Q131 | iC1815I0 | TR 2SC1815 Y | | | トランジスタ | 01 |
| ▲ Q132 | iC1815I0 | TR 2SC1815 Y | | | トランジスタ | 01 |
| ▲ Q133 | iA1015I0 | TR 2SA1015 Y | | | トランジスタ | 01 |
| ▲ Q134 | iC1815I0 | TR 2SC1815 Y | | | トランジスタ | 01 |
| ▲ Q137 | VP883100 | TR 2SC1890A D, E | | | トランジスタ | 01 |
| ▲ Q138 | VP883100 | TR 2SC1890A D, E | | | トランジスタ | 01 |
| ▲ Q251 | VP883100 | TR 2SC1890A D, E | | UCRTKABGL | トランジスタ | 01 |
| ▲ Q252 | VR510800 | TR 2SD2396 J, K | | | トランジスタ | 02 |
| ▲ Q253 | VP883100 | TR 2SC1890A D, E | | | トランジスタ | 01 |
| ▲ Q254 | VP883100 | TR 2SC1890A D, E | | | トランジスタ | 01 |
| ▲ Q255 | VP883100 | TR 2SC1890A D, E | | | トランジスタ | 01 |
| ▲ Q256 | V3966800 | TR 2SB949 O, Y | | | トランジスタ | |
| ▲ Q257 | VP883100 | TR 2SC1890A D, E | | | トランジスタ | 01 |
| ▲ Q258 | VP883100 | TR 2SC1890A D, E | | | トランジスタ | 01 |
| ▲ Q259 | V3966800 | TR 2SB949 O, Y | | | トランジスタ | |
| ▲ Q260 | VP883100 | TR 2SC1890A D, E | | | トランジスタ | 01 |
| ▲ Q261 | VP883100 | TR 2SC1890A D, E | | | トランジスタ | 01 |
| ▲ Q262 | V3966800 | TR 2SB949 O, Y | | | トランジスタ | |

* New Parts * 新規部品 (マーク#の部品は、基板に含まれません)

RX-V530/RX-V530RDS/HTR-5550/HTR-5550RDS/DSP-AX530
 RX-V430/RX-V430RDS/HTR-5540/HTR-5540RDS/DSP-AX430

P.C.B. MAIN

| Schm Ref. | PART NO. | Description | Remarks | Markets | 部 品 名 | Rank |
|--|----------|--------------|------------------------|---------|-----------|------|
| Q263 | VP883100 | TR | 2SC1890A D, E | | トランジスタ | 01 |
| Q264 | VP883100 | TR | 2SC1890A D, E | | トランジスタ | 01 |
| Q265 | V3966800 | TR | 2SB949 0, Y | | トランジスタ | |
| Q266 | VP883100 | TR | 2SC1890A D, E | | トランジスタ | 01 |
| Q267 | VP883100 | TR | 2SC1890A D, E | | トランジスタ | 01 |
| Q268 | V3966800 | TR | 2SB949 0, Y | | トランジスタ | |
| * R101 | HL006270 | R. MTL. OXD | 2.7K Ω 1/2W | | 酸化金属被膜抵抗 | |
| * R102 | HL005390 | R. MTL. OXD | 390 Ω 1/2W | | 酸化金属被膜抵抗 | |
| * R103 | HL005820 | R. MTL. OXD | 820 Ω 1/2W | | 酸化金属被膜抵抗 | |
| * R104 | V8072100 | R. MTL. OXD | 5.6K Ω 1W | | 酸化金属被膜抵抗 | |
| * R105 | V8072100 | R. MTL. OXD | 5.6K Ω 1W | | 酸化金属被膜抵抗 | |
| * R106 | HL006100 | R. MTL. OXD | 1K Ω 1/2W | | 酸化金属被膜抵抗 | |
| R107 | HV755100 | R. CAR. FP | 100 Ω 1/4W | | 不燃化カーボン抵抗 | 01 |
| *  R108 | V8071100 | R. MTL. FLM | 220 Ω 1W | | 金属被膜抵抗 | |
| *  R109 | V8070200 | R. MTL. FLM | 4.7 Ω 1W | | 金属被膜抵抗 | |
| *  R111 | V8070200 | R. MTL. FLM | 4.7 Ω 1W | | 金属被膜抵抗 | |
|  R113 | V3873200 | R. WW | 0.22 Ω 3W | | セメント抵抗 | |
| *  R117 | V8070300 | R. MTL. FLM | 10 Ω 1W | | 金属被膜抵抗 | |
| R119 | HV754100 | R. CAR. FP | 10 Ω 1/4W | | 不燃化カーボン抵抗 | 01 |
| * R121 | HL006270 | R. MTL. OXD | 2.7K Ω 1/2W | | 酸化金属被膜抵抗 | |
| * R122 | HL005390 | R. MTL. OXD | 390 Ω 1/2W | | 酸化金属被膜抵抗 | |
| * R123 | HL005820 | R. MTL. OXD | 820 Ω 1/2W | | 酸化金属被膜抵抗 | |
| * R124 | V8072100 | R. MTL. OXD | 5.6K Ω 1W | | 酸化金属被膜抵抗 | |
| * R125 | V8072100 | R. MTL. OXD | 5.6K Ω 1W | | 酸化金属被膜抵抗 | |
| * R126 | HL006100 | R. MTL. OXD | 1K Ω 1/2W | | 酸化金属被膜抵抗 | |
| R127 | HV755100 | R. CAR. FP | 100 Ω 1/4W | | 不燃化カーボン抵抗 | 01 |
| *  R128 | V8071100 | R. MTL. FLM | 220 Ω 1W | | 金属被膜抵抗 | |
| *  R129 | V8070200 | R. MTL. FLM | 4.7 Ω 1W | | 金属被膜抵抗 | |
| *  R131 | V8070200 | R. MTL. FLM | 4.7 Ω 1W | | 金属被膜抵抗 | |
|  R133 | V3873200 | R. WW | 0.22 Ω 3W | | セメント抵抗 | |
| *  R137 | V8070300 | R. MTL. FLM | 10 Ω 1W | | 金属被膜抵抗 | |
| R139 | HV754100 | R. CAR. FP | 10 Ω 1/4W | | 不燃化カーボン抵抗 | 01 |
| * R141 | HL006270 | R. MTL. OXD | 2.7K Ω 1/2W | | 酸化金属被膜抵抗 | |
| * R142 | HL005390 | R. MTL. OXD | 390 Ω 1/2W | | 酸化金属被膜抵抗 | |
| * R143 | HL005820 | R. MTL. OXD | 820 Ω 1/2W | | 酸化金属被膜抵抗 | |
| * R144 | V8072100 | R. MTL. OXD | 5.6K Ω 1W | | 酸化金属被膜抵抗 | |
| * R145 | V8072100 | R. MTL. OXD | 5.6K Ω 1W | | 酸化金属被膜抵抗 | |
| * R146 | HL006100 | R. MTL. OXD | 1K Ω 1/2W | | 酸化金属被膜抵抗 | |
| R147 | HV755100 | R. CAR. FP | 100 Ω 1/4W | | 不燃化カーボン抵抗 | 01 |
| *  R148 | V8071100 | R. MTL. FLM | 220 Ω 1W | | 金属被膜抵抗 | |
|  R149 | HV754100 | R. CAR. FP | 10 Ω 1/4W | | 不燃化カーボン抵抗 | 01 |
|  R150 | HV754100 | R. CAR. FP | 10 Ω 1/4W | | 不燃化カーボン抵抗 | 01 |
|  R151 | VU981700 | R. MTL. PLAT | 0.22 Ω +0.22 3W | | 金属板抵抗 | 02 |
| *  R155 | V8070300 | R. MTL. FLM | 10 Ω 1W | | 金属被膜抵抗 | |
| R158 | HV754100 | R. CAR. FP | 10 Ω 1/4W | | 不燃化カーボン抵抗 | 01 |
| * R159 | HL006270 | R. MTL. OXD | 2.7K Ω 1/2W | | 酸化金属被膜抵抗 | |
| * R160 | HL005390 | R. MTL. OXD | 390 Ω 1/2W | | 酸化金属被膜抵抗 | |
| * R161 | HL005820 | R. MTL. OXD | 820 Ω 1/2W | | 酸化金属被膜抵抗 | |
| * R162 | V8072100 | R. MTL. OXD | 5.6K Ω 1W | | 酸化金属被膜抵抗 | |
| * R163 | V8072100 | R. MTL. OXD | 5.6K Ω 1W | | 酸化金属被膜抵抗 | |
| * R164 | HL006100 | R. MTL. OXD | 1K Ω 1/2W | | 酸化金属被膜抵抗 | |
| R165 | HV755100 | R. CAR. FP | 100 Ω 1/4W | | 不燃化カーボン抵抗 | 01 |
| *  R166 | V8071100 | R. MTL. FLM | 220 Ω 1W | | 金属被膜抵抗 | |

* New Parts * 新規部品(マーク#の部品は、基板に含まれません)

RX-V530/RX-V530RDS/HTR-5550/HTR-5550RDS/DSP-AX530
 RX-V430/RX-V430RDS/HTR-5540/HTR-5540RDS/DSP-AX430

P.C.B. MAIN

| Schm Ref. | PART NO. | Description | Remarks | Markets | 部 品 名 | Rank |
|-----------|----------|-----------------------|---------------|------------------------------|-------------------|------|
| △ | R167 | HV754100 R. CAR. FP | 10Ω 1/4W | | 不燃化カーボン抵抗 | 01 |
| △ | R168 | HV754100 R. CAR. FP | 10Ω 1/4W | | 不燃化カーボン抵抗 | 01 |
| △ | R169 | VU981700 R. MTL. PLAT | 0.22Ω+0.22 3W | | 金属板抵抗 | 02 |
| * △ | R174 | V8070300 R. MTL. FLM | 10Ω 1W | | 金属被膜抵抗 | |
| | R176 | HV754100 R. CAR. FP | 10Ω 1/4W | | 不燃化カーボン抵抗 | 01 |
| * | R177 | V8072100 R. MTL. OXD | 5.6KΩ 1W | | 酸化金属被膜抵抗 | |
| | R178 | HV755100 R. CAR. FP | 100Ω 1/4W | | 不燃化カーボン抵抗 | 01 |
| * | R179 | V8072100 R. MTL. OXD | 5.6KΩ 1W | | 酸化金属被膜抵抗 | |
| * | R180 | HL006270 R. MTL. OXD | 2.7KΩ 1/2W | | 酸化金属被膜抵抗 | |
| * | R181 | HL005390 R. MTL. OXD | 390Ω 1/2W | | 酸化金属被膜抵抗 | |
| * | R182 | HL005820 R. MTL. OXD | 820Ω 1/2W | | 酸化金属被膜抵抗 | |
| * | R183 | HL006100 R. MTL. OXD | 1KΩ 1/2W | | 酸化金属被膜抵抗 | |
| * △ | R184 | V8071100 R. MTL. FLM | 220Ω 1W | | 金属被膜抵抗 | |
| * △ | R185 | V8070300 R. MTL. FLM | 10Ω 1W | | 金属被膜抵抗 | |
| * △ | R186 | V8070300 R. MTL. FLM | 10Ω 1W | | 金属被膜抵抗 | |
| △ | R187 | V3873200 R. WW | 0.22Ω 3W | | セメント抵抗 | |
| * △ | R191 | V8070300 R. MTL. FLM | 10Ω 1W | | 金属被膜抵抗 | |
| | R194 | HV754100 R. CAR. FP | 10Ω 1/4W | | 不燃化カーボン抵抗 | 01 |
| △ | R199 | HV754100 R. CAR. FP | 10Ω 1/4W | | 不燃化カーボン抵抗 | 01 |
| △ | R202 | HV756150 R. CAR. FP | 1.5KΩ 1/4W | | 不燃化カーボン抵抗 | 01 |
| * △ | R205 | V8070200 R. MTL. FLM | 4.7Ω 1W | | 金属被膜抵抗 | |
| * △ | R206 | V8070200 R. MTL. FLM | 4.7Ω 1W | | 金属被膜抵抗 | |
| * △ | R210 | V8070200 R. MTL. FLM | 4.7Ω 1W | | 金属被膜抵抗 | |
| * △ | R211 | V8071300 R. MTL. FLM | 470Ω 1W | | 金属被膜抵抗 | |
| * | R213 | V8071400 R. MTL. FLM | 560Ω 1W | | 金属被膜抵抗 | |
| * | R214 | V8071400 R. MTL. FLM | 560Ω 1W | | 金属被膜抵抗 | |
| * △ | R219 | V8071300 R. MTL. FLM | 470Ω 1W | | 金属被膜抵抗 | |
| △ | R223 | HV756100 R. CAR. FP | 1KΩ 1/4W | | 不燃化カーボン抵抗 | 01 |
| △ | R224 | HV755100 R. CAR. FP | 100Ω 1/4W | | 不燃化カーボン抵抗 | 01 |
| * △ | R231 | V8071300 R. MTL. FLM | 470Ω 1W | | 金属被膜抵抗 | |
| * △ | R232 | V8071300 R. MTL. FLM | 470Ω 1W | | 金属被膜抵抗 | |
| △ | R255 | HV754100 R. CAR. FP | 10Ω 1/4W | | 不燃化カーボン抵抗 | 01 |
| △ | R257 | HV756470 R. CAR. FP | 4.7KΩ 1/4W | | 不燃化カーボン抵抗 | 01 |
| | R267 | HV755100 R. CAR. FP | 100Ω 1/4W | | 不燃化カーボン抵抗 | 01 |
| | R278 | HV755100 R. CAR. FP | 100Ω 1/4W | | 不燃化カーボン抵抗 | 01 |
| | R289 | HV755100 R. CAR. FP | 100Ω 1/4W | | 不燃化カーボン抵抗 | 01 |
| | R300 | HV755100 R. CAR. FP | 100Ω 1/4W | | 不燃化カーボン抵抗 | 01 |
| | R311 | HV755100 R. CAR. FP | 100Ω 1/4W | | 不燃化カーボン抵抗 | 01 |
| | R339 | HV753220 R. CAR. FP | 2.2Ω 1/4W | V530, 5530, 430RDS, 55410RDS | RTKABGL 不燃化カーボン抵抗 | 01 |
| | R340 | HV753220 R. CAR. FP | 2.2Ω 1/4W | V530, 5530, 430RDS, 55410RDS | RTKABGL 不燃化カーボン抵抗 | 01 |
| | R351 | HV753220 R. CAR. FP | 2.2Ω 1/4W | V530, 5530, 430RDS, 55410RDS | RTKABGL 不燃化カーボン抵抗 | 01 |
| | R353 | HV753220 R. CAR. FP | 2.2Ω 1/4W | V530, 5530, 430RDS, 55410RDS | RTKABGL 不燃化カーボン抵抗 | 01 |
| | R354 | HV753220 R. CAR. FP | 2.2Ω 1/4W | V530, 5530, 430RDS, 55410RDS | RTKABGL 不燃化カーボン抵抗 | 01 |
| △ | R384 | HV753100 R. CAR. FP | 1Ω 1/4W | | 不燃化カーボン抵抗 | 01 |
| △ | R385 | HV753100 R. CAR. FP | 1Ω 1/4W | | 不燃化カーボン抵抗 | 01 |
| | R391 | HV753220 R. CAR. FP | 2.2Ω 1/4W | AX530, V530, 5550 | RTKAL 不燃化カーボン抵抗 | 01 |
| | R392 | HV753220 R. CAR. FP | 2.2Ω 1/4W | AX530, V530, 5550 | RTKAL 不燃化カーボン抵抗 | 01 |
| | R393 | HV753220 R. CAR. FP | 2.2Ω 1/4W | AX530, V530, 5550 | RTKAL 不燃化カーボン抵抗 | 01 |
| | R394 | HV753220 R. CAR. FP | 2.2Ω 1/4W | AX530, V530, 5550 | RTKAL 不燃化カーボン抵抗 | 01 |
| | R395 | HV753220 R. CAR. FP | 2.2Ω 1/4W | AX530, V530, 5550 | RTKAL 不燃化カーボン抵抗 | 01 |
| △ | R401 | HV753100 R. CAR. FP | 1Ω 1/4W | | 不燃化カーボン抵抗 | 01 |
| △ | R402 | HV753100 R. CAR. FP | 1Ω 1/4W | | 不燃化カーボン抵抗 | 01 |
| * △ | R403 | V8070000 R. MTL. FLM | 1Ω 1W | | 金属被膜抵抗 | |

* New Parts * 新規部品(マーク#の部品は、基板に含まれません)

RX-V530/RX-V530RDS/HTR-5550/HTR-5550RDS/DSP-AX530
 RX-V430/RX-V430RDS/HTR-5540/HTR-5540RDS/DSP-AX430

P.C.B. MAIN

| Schm Ref. | PART NO. | Description | Remarks | Markets | 部 品 名 | Rank |
|-----------|----------|-------------|----------------|-----------------------------|----------------------|------|
| * ⚠ R404 | V8070000 | R. MTL. FLM | 1Ω 1W | | 金属被膜抵抗 | |
| * R405 | V8070000 | R. MTL. FLM | 1Ω 1W | | 金属被膜抵抗 | |
| * R406 | V8070000 | R. MTL. FLM | 1Ω 1W | | 金属被膜抵抗 | |
| ⚠ RY101 | VU566700 | RELAY | DG24D2-0S/M | | リレー | 05 |
| ⚠ RY102 | VK438300 | RELAY | DH24D2-0T/M2 | | リレー | 04 |
| ⚠ RY103 | VK438300 | RELAY | DH24D2-0T/M2 | | リレー | 04 |
| ⚠ RY104 | VK438300 | RELAY | DH24D2-0T/M2 | | リレー | 04 |
| ST101 | V4040500 | SCR. TERM | M3 | | スクリュー/ターミナル | 01 |
| ST371 | V4040500 | SCR. TERM | M3 | | スクリュー/ターミナル | 01 |
| ST381 | V4040500 | SCR. TERM | M3 | | スクリュー/ターミナル | 01 |
| ST401 | V4040500 | SCR. TERM | M3 | | スクリュー/ターミナル | 01 |
| ⚠ SW381 | V4104200 | SW. SLIDE | SL13B-022-AMCS | | UCRTKABGL スライドSW | 03 |
| * TE331 | V8423900 | TERM. SP | LTS0410-3011 | AX530, V530, 5550 | JUCRTKA スピーカターミナル | 4 P |
| * TE331 | V8423400 | TERM. SP | LTS0410-3009 | V530, 5550, 430RDS, 5540RDS | BGL スピーカターミナル | 4 P |
| * TE351 | V6771100 | TERM. SP | 6P LTS0610 | AX530, V530, 5550 | JUCRTKA スピーカターミナル | 6 P |
| * TE351 | V5912000 | TERM. SP | 6P LTS0610 | V530, 5550, 430RDS, 5540RDS | BGL スピーカターミナル | 6 P |
| * TE391 | V8259500 | TERM. SP | LQR2411-0001G | AX430, V430, 5540 | JUCRTKA スピーカターミナル | 4 P |
| * TE391 | V8259600 | TERM. SP | LQR2411-0003G | V430, 5540 | L スピーカターミナル | 4 P |
| * TE392 | V4470700 | TERM. SP | 6P | AX430, V430, 5540 | JUCRTKA スピーカターミナル | 6 P |
| * TE392 | V4470900 | TERM. SP | 6P | V430, 5540 | L スピーカターミナル | 6 P |
| TP381 | VT969000 | PIN. TEST | IRS-2049 | | テストポイントピン | 01 |
| | V5995800 | PLATE. GND | | | アースプレート | |

* New Parts * 新規部品(マーク#の部品は、基板に含まれません)

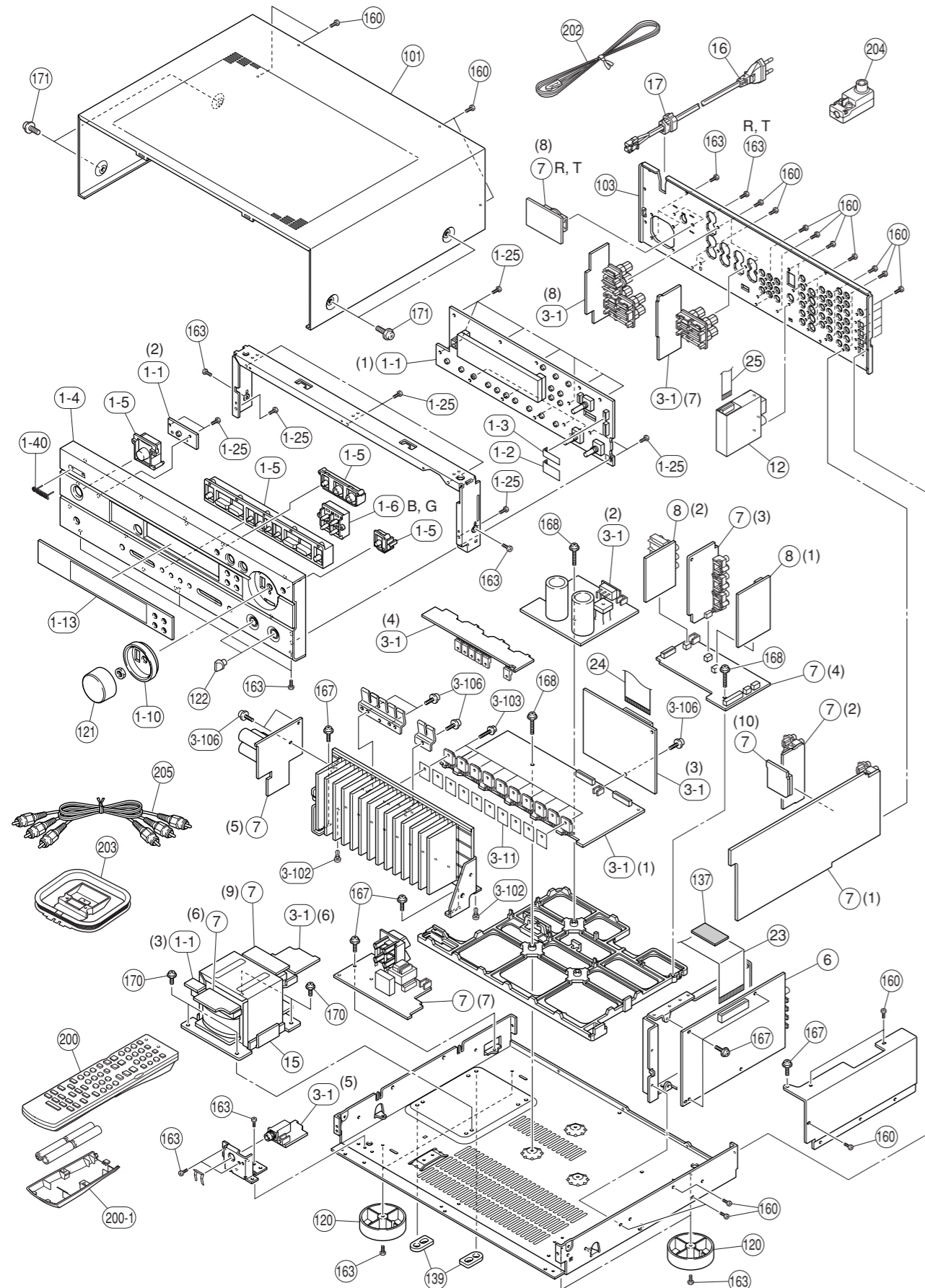
Chip Resistors

| Schm Ref. | PART NO. | Description | Remarks | Markets | 部 品 名 | Rank |
|-----------|----------|-------------|-------------|---------|-------|------|
| | RD350000 | R. CAR. CHP | 0Ω 1/10W | | チップ抵抗 | 01 |
| | RD353220 | R. CAR. CHP | 2.2Ω 1/10W | | チップ抵抗 | 01 |
| | RD354470 | R. CAR. CHP | 47Ω 1/10W | | チップ抵抗 | 01 |
| | RD354750 | R. CAR. CHP | 75Ω 1/10W | | チップ抵抗 | 01 |
| | RD354820 | R. CAR. CHP | 82Ω 1/10W | | チップ抵抗 | 01 |
| | RD355100 | R. CAR. CHP | 100Ω 1/10W | | チップ抵抗 | 01 |
| | RD355220 | R. CAR. CHP | 220Ω 1/10W | | チップ抵抗 | 01 |
| | RD355330 | R. CAR. CHP | 330Ω 1/10W | | チップ抵抗 | 01 |
| | RD355390 | R. CAR. CHP | 390Ω 1/10W | | チップ抵抗 | 01 |
| | RD355470 | R. CAR. CHP | 470Ω 1/10W | | チップ抵抗 | 01 |
| | RD355680 | R. CAR. CHP | 680Ω 1/10W | | チップ抵抗 | 01 |
| | RD356100 | R. CAR. CHP | 1KΩ 1/10W | | チップ抵抗 | 01 |
| | RD356120 | R. CAR. CHP | 1.2KΩ 1/10W | | チップ抵抗 | 01 |
| | RD356130 | R. CAR. CHP | 1.3KΩ 1/10W | | チップ抵抗 | 01 |
| | RD356150 | R. CAR. CHP | 1.5KΩ 1/10W | | チップ抵抗 | 01 |
| | RD356180 | R. CAR. CHP | 1.8KΩ 1/10W | | チップ抵抗 | 01 |
| | RD356220 | R. CAR. CHP | 2.2KΩ 1/10W | | チップ抵抗 | 01 |
| | RD356330 | R. CAR. CHP | 3.3KΩ 1/10W | | チップ抵抗 | 01 |
| | RD356360 | R. CAR. CHP | 3.6KΩ 1/10W | | チップ抵抗 | 01 |
| | RD356390 | R. CAR. CHP | 3.9KΩ 1/10W | | チップ抵抗 | 01 |
| | RD356470 | R. CAR. CHP | 4.7KΩ 1/10W | | チップ抵抗 | 01 |
| | RD356510 | R. CAR. CHP | 5.1KΩ 1/10W | | チップ抵抗 | 01 |
| | RD356680 | R. CAR. CHP | 6.8KΩ 1/10W | | チップ抵抗 | 01 |
| | RD356820 | R. CAR. CHP | 8.2KΩ 1/10W | | チップ抵抗 | 01 |
| | RD357100 | R. CAR. CHP | 10KΩ 1/10W | | チップ抵抗 | 01 |
| | RD357150 | R. CAR. CHP | 15KΩ 1/10W | | チップ抵抗 | 01 |
| | RD357180 | R. CAR. CHP | 18KΩ 1/10W | | チップ抵抗 | 01 |
| | RD357200 | R. CAR. CHP | 20KΩ 1/10W | | チップ抵抗 | 01 |
| | RD357220 | R. CAR. CHP | 22KΩ 1/10W | | チップ抵抗 | 01 |
| | RD357330 | R. CAR. CHP | 33KΩ 1/10W | | チップ抵抗 | 01 |
| | RD357470 | R. CAR. CHP | 47KΩ 1/10W | | チップ抵抗 | 01 |
| | RD358100 | R. CAR. CHP | 100KΩ 1/10W | | チップ抵抗 | 01 |
| | RD358220 | R. CAR. CHP | 220KΩ 1/10W | | チップ抵抗 | 01 |
| | RD358470 | R. CAR. CHP | 470KΩ 1/10W | | チップ抵抗 | 01 |
| | RD359100 | R. CAR. CHP | 1MΩ 1/10W | | チップ抵抗 | 01 |

* New Parts * 新規部品(マーク#の部品は、基板に含まれません)

RX-V530/RX-V530RDS/HTR-5550/HTR-5550RDS/DSP-AX530

EXPLODED VIEW



RX-V530/RX-V530RDS/HTR-5550/HTR-5550RDS/DSP-AX530

MECHANICAL PARTS

| Schm Ref. | PART NO. | Description | Remarks | Markets | 部品名 | Rank |
|-----------|----------|------------------------|------------------|-------------------|-------------|------|
| * 1-1 | V8705200 | P. C. B. ASS'Y | OPERATION | JUCRTKAL | PCB オペレーション | |
| * 1-1 | V8705300 | P. C. B. ASS'Y | OPERATION | BG | PCB オペレーション | |
| 1-2 | MF114180 | FLEXIBLE FLAT CABLE | 14P 180mm P=1.25 | | カード電線 C&C | 02 |
| * 1-3 | MF109140 | FLEXIBLE FLAT CABLE | 9P 140mm P=1.25 | | カード電線 C&C | 01 |
| 1-4 | V8400500 | FRONT PANEL | | AX530GD | フロントパネル | |
| * 1-4 | V8399600 | FRONT PANEL | | V530GD | フロントパネル | |
| * 1-4 | V8399800 | FRONT PANEL | | V530RDSGD | フロントパネル | |
| * 1-4 | V8312200 | FRONT PANEL | | V530BL | フロントパネル | |
| * 1-4 | V8312400 | FRONT PANEL | | V530RDSBL | フロントパネル | |
| * 1-4 | V8399900 | FRONT PANEL | | V530RDSSTS | フロントパネル | |
| * 1-4 | V8400100 | FRONT PANEL | | 5550GD | フロントパネル | |
| * 1-4 | V8312700 | FRONT PANEL | | 5550BL | フロントパネル | |
| * 1-4 | V8313000 | FRONT PANEL | | 5550RDSBL | フロントパネル | |
| * 1-4 | V8400200 | FRONT PANEL | | 5550TS | フロントパネル | |
| * 1-4 | V8400400 | FRONT PANEL | | 5550RDSSTS | フロントパネル | |
| * 1-5 | V8315100 | BUTTONCASE | | V530GD, 5550GD | ボタンケース | |
| * 1-5 | V8315000 | BUTTONCASE | | V530BL | ボタンケース | |
| * 1-5 | V8315300 | BUTTONCASE | | 5550BL | ボタンケース | |
| * 1-5 | V8315200 | BUTTONCASE | | V530TS, 5550TS | ボタンケース | |
| * 1-6 | V8315600 | BUTTON, RDS | | GD | ボタン/RDS | BG |
| * 1-6 | V8315500 | BUTTON, RDS | | BL | ボタン/RDS | BG |
| * 1-6 | V8315700 | BUTTON, RDS | | TS | ボタン/RDS | BG |
| * 1-10 | V8315900 | ESCUTCHEON, VOL | | V530GD | エスカッション/VOL | |
| * 1-10 | V8315800 | ESCUTCHEON, VOL | | V530BL, 5550BL | エスカッション/VOL | |
| * 1-10 | V8316000 | ESCUTCHEON, VOL | | V530TS, 5550GDTTS | エスカッション/VOL | |
| * 1-13 | V8317500 | SHEET, WINDOW | | AX530, V530, 5550 | シート/ウインドウ | |
| * 1-13 | V8317700 | SHEET, WINDOW | | V530RDS | シート/ウインドウ | |
| * 1-13 | V8317800 | SHEET, WINDOW | | 5550RDSBL | シート/ウインドウ | |
| * 1-13 | V8317700 | SHEET, WINDOW | | 5550RDSSTS | シート/ウインドウ | |
| 1-25 | EP630220 | BIND HEAD P-TITE SCREW | 3x8 MFZ2BL | | バインドPタイトネジ | 01 |
| 1-40 | V6034200 | EMBLEM | | V530GD, 5550GDBL | エンブレム | |
| 1-40 | V6034100 | EMBLEM | | V530BLTS, 5550TS | エンブレム | |
| * 3-1 | V8700500 | P. C. B. ASS'Y | MAIN | J | PCB メイン | |
| * 3-1 | V8700600 | P. C. B. ASS'Y | MAIN | UC | PCB メイン | |
| * 3-1 | V8700700 | P. C. B. ASS'Y | MAIN | RTKA | PCB メイン | |
| * 3-1 | V8700800 | P. C. B. ASS'Y | MAIN | BG | PCB メイン | |
| * 3-1 | V8700900 | P. C. B. ASS'Y | MAIN | L | PCB メイン | |
| 3-11 | VV849300 | SHEET | 19x24 | | シート/放熱 | 01 |
| 3-102 | VQ368600 | PUSH RIVET | P3555-B | | プッシュリベット | 01 |
| 3-103 | VK173200 | SCREW, TRANSISTOR | 3x15 SP MFC2 | | スクリューTR | 01 |
| 3-106 | VT669300 | PW HEAD B-TITE SCREW | 3x8-8 MFC2 | | PWヘッドBタイトネジ | 01 |
| * 6 | V8701700 | P. C. B. ASS'Y | DSP | J | PCB DSP | |
| * 6 | V8701800 | P. C. B. ASS'Y | DSP | UCRTKABGL | PCB DSP | |
| * 7 | V8703400 | P. C. B. ASS'Y | FUNCTION | J | PCB ファンクション | |
| * 7 | V8703500 | P. C. B. ASS'Y | FUNCTION | UC | PCB ファンクション | |
| * 7 | V8703600 | P. C. B. ASS'Y | FUNCTION | RT | PCB ファンクション | |
| * 7 | V8703700 | P. C. B. ASS'Y | FUNCTION | K | PCB ファンクション | |
| * 7 | V8703800 | P. C. B. ASS'Y | FUNCTION | A | PCB ファンクション | |
| * 7 | V8703900 | P. C. B. ASS'Y | FUNCTION | B | PCB ファンクション | |
| * 7 | V8704000 | P. C. B. ASS'Y | FUNCTION | G | PCB ファンクション | |
| * 7 | V8704100 | P. C. B. ASS'Y | FUNCTION | L | PCB ファンクション | |
| * 8 | V8706100 | P. C. B. ASS'Y | VIDEO | | PCB ビデオ | |
| 12 | V6782200 | AM/FM TUNER | TFCE1J117A | J | AM/FM チューナ | |
| 12 | V6782300 | AM/FM TUNER | TFCE1U115A | UCRTK | AM/FM チューナ | |

* New Parts * 新規部品(マーク#の部品は、基板に含まれません)

RX-V530/RX-V530RDS/HTR-5550/HTR-5550RDS/DSP-AX530

| Schm Ref. | PART NO. | Description | Remarks | Markets | 部 品 名 | Rank |
|-----------|----------|-------------------|------------------------------|------------|------------------|--------------|
| | 12 | V6782400 | AM/FM TUNER | | TFCE1E317A | |
| * 15 | X2370A00 | POWER TRANSFORMER | | ABGL | A M / F M チューナ | |
| * 15 | X2372A00 | POWER TRANSFORMER | | J | 電源トランス | |
| * 15 | X2544A00 | POWER TRANSFORMER | | UC | 電源トランス | |
| * 15 | X2421A00 | POWER TRANSFORMER | | RTK | 電源トランス | |
| * 15 | X2375A00 | POWER TRANSFORMER | | A | 電源トランス | |
| * 16 | V2723100 | POWER CABLE | | BGL | 電源トランス | |
| * 16 | V2363800 | POWER CABLE | 1.8m | J | 電源コード | 07 |
| * 16 | VZ542500 | POWER CABLE | 2m | UC | 電源コード | |
| * 16 | V8013000 | POWER CABLE | 2m | RT | 電源コード | 05 |
| * 16 | V2296800 | POWER CABLE | 2m | K | 電源コード | |
| * 16 | VV437300 | POWER CABLE | 2m | A | 電源コード | 08 |
| * 16 | VN363700 | POWER CABLE | 2m | B | 電源コード | 04 |
| | 17 | V2438700 | CORD STOPPER | | GL | 電源コード |
| | 23 | MF135100 | FLEXIBLE FLAT CABLE | | | コードストッパー |
| | 24 | MF136140 | FLEXIBLE FLAT CABLE | | | カード電線 C & C |
| | 25 | MF115120 | FLEXIBLE FLAT CABLE | | | カード電線 C & C |
| | 101 | V8349200 | TOP COVER | GD | | トップカバー |
| | 101 | V8349000 | TOP COVER | BL | | トップカバー |
| | 101 | V8349100 | TOP COVER | TS | | トップカバー |
| | 103 | V8308700 | REAR PANEL | AX530 | J | リヤパネル |
| | 103 | V8307100 | REAR PANEL | V530 | UC | リヤパネル |
| | 103 | V8307300 | REAR PANEL | V530 | RT | リヤパネル |
| | 103 | V8506700 | REAR PANEL | V530 | K | リヤパネル |
| | 103 | V8307400 | REAR PANEL | V530 | A | リヤパネル |
| | 103 | V8307700 | REAR PANEL | V530RDS | B | リヤパネル |
| | 103 | V8307800 | REAR PANEL | V530RDS | G | リヤパネル |
| | 103 | V8307500 | REAR PANEL | V530 | L | リヤパネル |
| | 103 | V8308100 | REAR PANEL | HTR5550 | UC | リヤパネル |
| | 103 | V8308300 | REAR PANEL | HTR5550 | T | リヤパネル |
| | 103 | V8506800 | REAR PANEL | HTR5550 | K | リヤパネル |
| | 103 | V8308400 | REAR PANEL | HTR5550 | A | リヤパネル |
| | 103 | V8308500 | REAR PANEL | HTR5550RDS | B | リヤパネル |
| | 103 | V8308600 | REAR PANEL | HTR5550RDS | G | リヤパネル |
| | 120 | V0042500 | LEG | D60xH21 | V530GD, 5550GD | レッグ |
| | 120 | VS025000 | LEG | D60xH21 | V530BLTS, 5550TS | レッグ |
| | 120 | VV544300 | LEG | D60xH21 | 5550BL | レッグ |
| | 121 | V6002300 | KNOB D43 | | GD | ノブ D 4 3 |
| | 121 | V6002200 | KNOB D43 | | BL | ノブ D 4 3 |
| | 121 | V7623800 | KNOB D43 | | TS | ノブ D 4 3 |
| | 122 | V6001700 | KNOB D15 | | GD | ノブ D 1 5 |
| | 122 | V6001600 | KNOB D15 | | BL | ノブ D 1 5 |
| | 122 | V7624400 | KNOB D15 | | TS | ノブ D 1 5 |
| | 137 | V3422200 | DAMPER | | | ダンパー |
| | 139 | V7616600 | DAMPER | | | ダンパー |
| | 160 | VN413300 | BIND HEAD BONDING B-T. SCREW | 3x8 | MFZN2BL | ボンディングBタイトネジ |
| | 163 | EP600250 | BIND HEAD B-TITE SCREW | 3x8 | MFZN2Y | バインドBタイトネジ |
| | 167 | VT669300 | PW HEAD B-TITE SCREW | 3x8-8 | MFC2 | PWヘッドBタイトネジ |
| | 168 | VT669400 | PW HEAD B-TITE SCREW | 3x15-8 | MFC2 | PWヘッドBタイトネジ |
| | 170 | 21991500 | PW HEAD S-TITE SCREW | 4x8-10 | MFC2BL | PWヘッドSタイトネジ |
| | 171 | VD069600 | PW HEAD S-TITE SCREW | 4x8-10 | MFNI33 | PWヘッドSタイトネジ |
| | 171 | 21991500 | PW HEAD S-TITE SCREW | 4x8-10 | MFC2BL | PWヘッドSタイトネジ |
| | 171 | VH313200 | BW HEAD S-TITE SCREW | 4x8-10 | MFNI3BL | BWヘッドSタイトネジ |

* New Parts * 新規部品(マーク#の部品は、基板に含まれません)

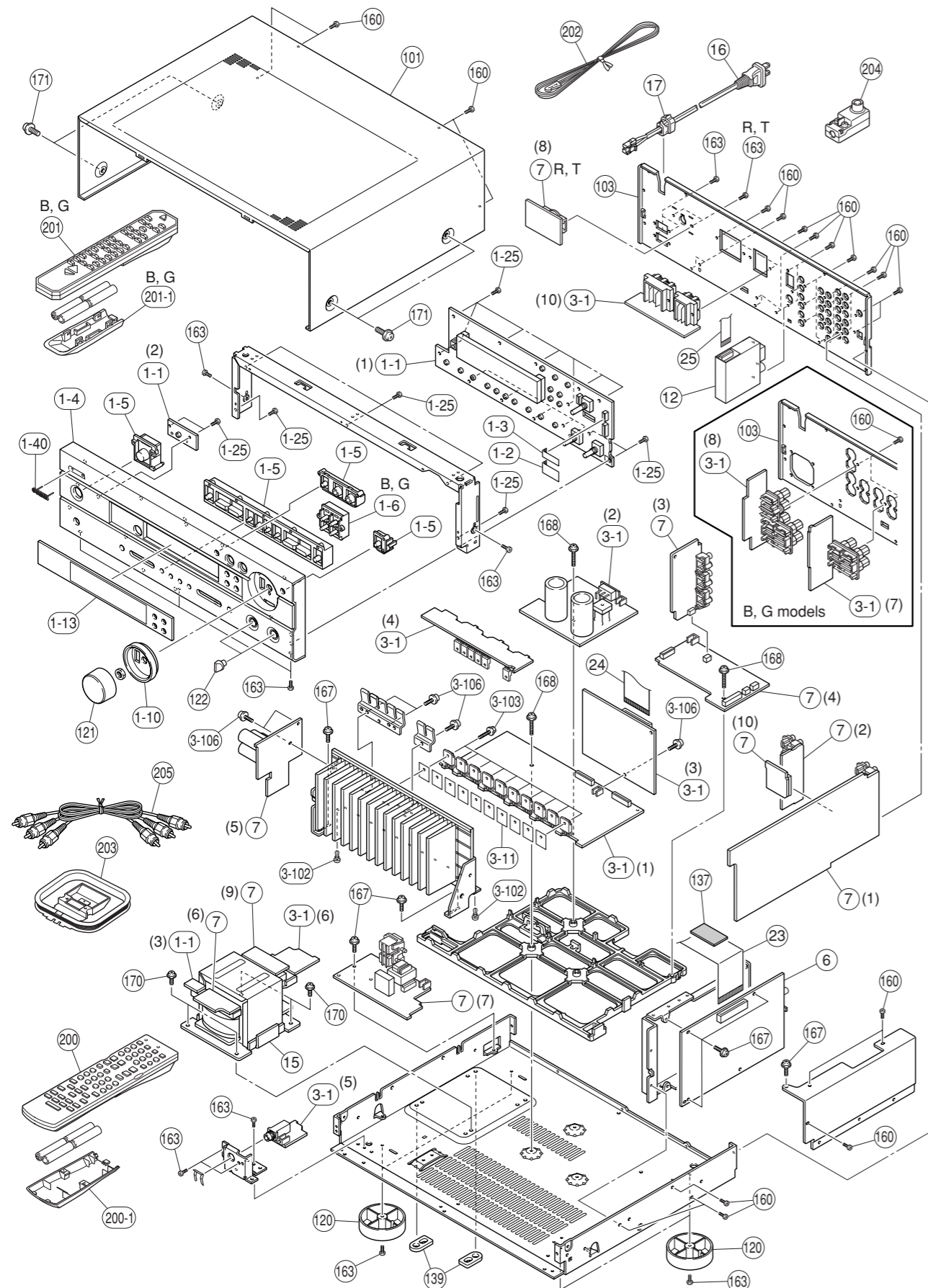
RX-V530/RX-V530RDS/HTR-5550/HTR-5550RDS/DSP-AX530

| Schm Ref. | PART NO. | Description | Remarks | Markets | 部 品 名 | Rank |
|-----------|----------|--------------------|------------------|---------------|----------|--------------|
| | 200 | V8295200 | ACCESSORIES | | | |
| * 200 | V8295200 | REMOTE CONTROL | RAV242 | BW0912 | JUCRTKAL | 付属品 |
| * 200 | V8295300 | REMOTE CONTROL | RAV243 | BW0913 | BG | リモコン |
| * 200-1 | AAK34140 | LID | | 71-0910-02000 | | リモコン |
| * 202 | V6267000 | INDOOR FM ANTENNA | 1.4m 1pc | | JUCRTK | 電池蓋 |
| * 202 | VQ147100 | INDOOR FM ANTENNA | 1.4m 1pc | | ABGL | F M簡易アンテナ |
| * 203 | VR248500 | AM LOOP ANTENNA | 1.0m 1pc | | | F M簡易アンテナ |
| * 204 | VE364900 | ANTENNA ADAPTER | PAL 75-300Ω | | B | A Mループアンテナ |
| * 205 | V8901300 | VIDEO PIN CABLE | 3P 1.5m RE/WH/YE | | UCA | 整合器 |
| | | BATTERY, MANGANESE | UM-4NE (2PC) | | | ビデオ用ピンケーブル |
| | | | | | | マンガン電池 2 P C |

* New Parts * 新規部品(マーク#の部品は、基板に含まれません)

RX-V430/RX-V430RDS/HTR-5540/HTR-5540RDS/DSP-AX430

EXPLODED VIEW



MECHANICAL PARTS

| Schm Ref. | PART NO. | Description | Remarks | Markets | 部品名 | Rank |
|-----------|----------|------------------------|------------------|-------------------|-------------|------|
| * 1-1 | V8705200 | P. C. B. ASS'Y | OPERATION | JUCRTKAL | PCB オペレーション | |
| * 1-1 | V8705300 | P. C. B. ASS'Y | OPERATION | BG | PCB オペレーション | |
| 1-2 | MF114180 | FLEXIBLE FLAT CABLE | 14P 180mm P=1.25 | | カード電線 C&C | 02 |
| * 1-3 | MF109140 | FLEXIBLE FLAT CABLE | 9P 140mm P=1.25 | | カード電線 C&C | 01 |
| * 1-4 | V8474600 | FRONT PANEL | | AX430GD | フロントパネル | |
| * 1-4 | V8400700 | FRONT PANEL | | V430GD | フロントパネル | |
| * 1-4 | V8400900 | FRONT PANEL | | V430RDSGD | フロントパネル | |
| * 1-4 | V8313200 | FRONT PANEL | | V430BL | フロントパネル | |
| * 1-4 | V8462400 | FRONT PANEL | | V430RDSBL | フロントパネル | |
| * 1-4 | V8401000 | FRONT PANEL | | V430RDSTS | フロントパネル | |
| * 1-4 | V8474200 | FRONT PANEL | | 5540GD | フロントパネル | |
| * 1-4 | V8313400 | FRONT PANEL | | 5540BL | フロントパネル | |
| * 1-4 | V8313600 | FRONT PANEL | | 5540RDSBL | フロントパネル | |
| * 1-4 | V8474300 | FRONT PANEL | | 5540TS | フロントパネル | |
| * 1-4 | V8474500 | FRONT PANEL | | 5540RDSTS | フロントパネル | |
| * 1-5 | V8315100 | BUTTONCASE | | V430GD, 5540GD | ボタンケース | |
| * 1-5 | V8315000 | BUTTONCASE | | V430BL | ボタンケース | |
| * 1-5 | V8315300 | BUTTONCASE | | 5540BL | ボタンケース | |
| * 1-5 | V8315200 | BUTTONCASE | | V430TS, 5540TS | ボタンケース | |
| * 1-6 | V8315600 | BUTTON, RDS | | GD | ボタン/RDS | |
| * 1-6 | V8315500 | BUTTON, RDS | | BL | ボタン/RDS | |
| * 1-6 | V8315700 | BUTTON, RDS | | TS | ボタン/RDS | |
| * 1-10 | V8315900 | ESCUTCHEON, VOL | | V430GD | エスカッション/VOL | |
| * 1-10 | V8315800 | ESCUTCHEON, VOL | | V430BL, 5540BL | エスカッション/VOL | |
| * 1-10 | V8316000 | ESCUTCHEON, VOL | | V430TS, 5540GDTS | エスカッション/VOL | |
| * 1-13 | V8317500 | SHEET, WINDOW | | AX430, V430, 5540 | シート/ウインドウ | |
| * 1-13 | V8317700 | SHEET, WINDOW | | V430RDS | シート/ウインドウ | |
| * 1-13 | V8317800 | SHEET, WINDOW | | 5540RDSBL | シート/ウインドウ | |
| * 1-13 | V8317700 | SHEET, WINDOW | | 5540RDSTS | シート/ウインドウ | |
| 1-25 | EP630220 | BIND HEAD P-TITE SCREW | 3x8 MFZN2BL | | バインドPタイトネジ | 01 |
| 1-40 | V6034200 | EMBLEM | | V430GD, 5540GDBL | エンブレム | |
| 1-40 | V6034100 | EMBLEM | | V430BLTS, 5540TS | エンブレム | |
| * 3-1 | V8701000 | P. C. B. ASS'Y | MAIN | J | PCB メイン | |
| * 3-1 | V8701100 | P. C. B. ASS'Y | MAIN | UC | PCB メイン | |
| * 3-1 | V8701200 | P. C. B. ASS'Y | MAIN | RTKA | PCB メイン | |
| * 3-1 | V8700800 | P. C. B. ASS'Y | MAIN | BG | PCB メイン | |
| * 3-1 | V8701400 | P. C. B. ASS'Y | MAIN | L | PCB メイン | |
| 3-11 | VV849300 | SHEET | 19x24 | | シート/放熱 | 01 |
| 3-102 | VQ368600 | PUSH RIVET | P3555-B | | プッシュリベット | 01 |
| 3-103 | VK173200 | SCREW, TRANSISTOR | 3x15 SP MFC2 | | スクリューTR | 01 |
| 3-106 | VT669300 | PW HEAD B-TITE SCREW | 3x8-8 MFC2 | | PWヘッドBタイトネジ | 01 |
| * 6 | V8701900 | P. C. B. ASS'Y | DSP | J | PCB DSP | |
| * 6 | V8702000 | P. C. B. ASS'Y | DSP | UCRTKABGL | PCB DSP | |
| * 7 | V8704200 | P. C. B. ASS'Y | FUNCTION | J | PCBファンクション | |
| * 7 | V8704300 | P. C. B. ASS'Y | FUNCTION | UC | PCBファンクション | |
| * 7 | V8704400 | P. C. B. ASS'Y | FUNCTION | RT | PCBファンクション | |
| * 7 | V8704500 | P. C. B. ASS'Y | FUNCTION | K | PCBファンクション | |
| * 7 | V8704600 | P. C. B. ASS'Y | FUNCTION | A | PCBファンクション | |
| * 7 | V8704700 | P. C. B. ASS'Y | FUNCTION | B | PCBファンクション | |
| * 7 | V8704800 | P. C. B. ASS'Y | FUNCTION | G | PCBファンクション | |
| * 7 | V8704900 | P. C. B. ASS'Y | FUNCTION | L | PCBファンクション | |
| 12 | V6782200 | AM/FM TUNER | TFCE1J117A | J | AM/FM チューナ | |
| 12 | V6782300 | AM/FM TUNER | TFCE1U115A | UCRTK | AM/FM チューナ | |
| 12 | V6782400 | AM/FM TUNER | TFCE1E317A | ABGL | AM/FM チューナ | |

* New Parts * 新規部品(マーク#の部品は、基板に含まれません)

RX-V430/RX-V430RDS/HTR-5540/HTR-5540RDS/DSP-AX430

| Schm Ref. | PART NO. | Description | Remarks | Markets | 部 品 名 | Rank |
|-----------|----------|------------------------------|------------------|------------------|--------------|------|
| * 15 | X2370A00 | POWER TRANSFORMER | | J | 電源トランス | |
| * 15 | X2372A00 | POWER TRANSFORMER | | UC | 電源トランス | |
| * 15 | X2544A00 | POWER TRANSFORMER | | RTK | 電源トランス | |
| * 15 | X2421A00 | POWER TRANSFORMER | | A | 電源トランス | |
| * 15 | X2371A00 | POWER TRANSFORMER | | BGL | 電源トランス | |
| * 16 | V2723100 | POWER CABLE | 1.8m | J | 電源コード | 07 |
| * 16 | V2363800 | POWER CABLE | 2m | UC | 電源コード | |
| * 16 | VZ542500 | POWER CABLE | 2m | RT | 電源コード | 05 |
| * 16 | V8013000 | POWER CABLE | 2m | K | 電源コード | |
| * 16 | V2296800 | POWER CABLE | 2m | A | 電源コード | |
| * 16 | VV437300 | POWER CABLE | 2m | B | 電源コード | 08 |
| * 16 | VN363700 | POWER CABLE | 2m | GL | 電源コード | 04 |
| 17 | V2438700 | CORD STOPPER | 10P1 | | コードストッパー | 02 |
| * 23 | MF135100 | FLEXIBLE FLAT CABLE | 35P 100mm P=1.25 | | カード電線 C&C | |
| * 24 | MF136140 | FLEXIBLE FLAT CABLE | 36P 140mm P=1.25 | | カード電線 C&C | 02 |
| 25 | MF115120 | FLEXIBLE FLAT CABLE | 15P 120mm P=1.25 | | カード電線 C&C | |
| * 101 | V8349200 | TOP COVER | | GD | トップカバー | |
| * 101 | V8349000 | TOP COVER | | BL | トップカバー | |
| * 101 | V8349100 | TOP COVER | | TS | トップカバー | |
| * 103 | V8309700 | REAR PANEL | | AX430 | リヤパネル | |
| * 103 | V8308800 | REAR PANEL | | V430 | リヤパネル | |
| * 103 | V8309000 | REAR PANEL | | V430 | リヤパネル | |
| * 103 | V8506900 | REAR PANEL | | V430 | リヤパネル | |
| * 103 | V8309100 | REAR PANEL | | V430 | リヤパネル | |
| * 103 | V8465600 | REAR PANEL | | V430RDS | リヤパネル | |
| * 103 | V8465700 | REAR PANEL | | V430RDS | リヤパネル | |
| * 103 | V8309200 | REAR PANEL | | V430 | リヤパネル | |
| * 103 | V8309300 | REAR PANEL | | 5540 | リヤパネル | |
| * 103 | V8309500 | REAR PANEL | | 5540 | リヤパネル | |
| * 103 | V8507000 | REAR PANEL | | 5540 | リヤパネル | |
| * 103 | V8309600 | REAR PANEL | | 5540 | リヤパネル | |
| * 103 | V8462200 | REAR PANEL | | 5540RDS | リヤパネル | |
| * 103 | V8462300 | REAR PANEL | | 5540RDS | リヤパネル | |
| 120 | V0042500 | LEG | D60xH21 | V430GD, 5540GD | レッグ | 03 |
| 120 | V5025000 | LEG | D60xH21 | V430BLTS, 5540TS | レッグ | 02 |
| 120 | VV544300 | LEG | D60xH21 | 5540BL | レッグ (BK) | 02 |
| 121 | V6002300 | KNOB D43 | | GD | ノブ D43 | 02 |
| * 121 | V6002200 | KNOB D43 | | BL | ノブ D43 | |
| * 121 | V7623800 | KNOB D43 | | TS | ノブ D43 | |
| 122 | V6001700 | KNOB D15 | | GD | ノブ D15 | 01 |
| * 122 | V6001600 | KNOB D15 | | BL | ノブ D15 | |
| * 122 | V7624400 | KNOB D15 | | TS | ノブ D15 | |
| 137 | V3422200 | DAMPER | | | ダンパー | 01 |
| 139 | V7616600 | DAMPER | | | ダンパー | |
| 160 | VN413300 | BIND HEAD BONDING B-T. SCREW | 3x8 | MFZN2BL | ボンディングBタイトネジ | 01 |
| 163 | EP600250 | BIND HEAD B-TITE SCREW | 3x8 | MFZN2Y | バインドBタイトネジ | 01 |
| 167 | VT669300 | PW HEAD B-TITE SCREW | 3x8-8 | MFC2 | PWヘッドBタイトネジ | 01 |
| 168 | VT669400 | PW HEAD B-TITE SCREW | 3x15-8 | MFC2 | PWヘッドBタイトネジ | 01 |
| 170 | 21991500 | PW HEAD S-TITE SCREW | 4x8-10 | MFC2BL | PWヘッドSタイトネジ | 01 |
| 171 | VD069600 | PW HEAD S-TITE SCREW | 4x8-10 | MFNI33 | PWヘッドSタイトネジ | 01 |
| 171 | 21991500 | PW HEAD S-TITE SCREW | 4x8-10 | MFC2BL | PWヘッドSタイトネジ | 01 |
| 171 | VH313200 | BW HEAD S-TITE SCREW | 4x8-10 | MFNI3BL | BWヘッドSタイトネジ | 01 |

* New Parts * 新規部品(マーク#の部品は、基板に含まれません)

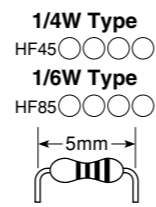
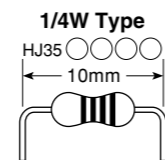
RX-V430/RX-V430RDS/HTR-5540/HTR-5540RDS/DSP-AX430

| Schm Ref. | PART NO. | Description | Remarks | Markets | 部 品 名 | Rank |
|-----------|----------|--------------------|------------------|----------------|----------|------------|
| 200 | V8295200 | ACCESSORIES | | | 付属品 | |
| * 200-1 | AAK34140 | REMOTE CONTROL | RAV242 | BW0912 | JUCRTKAL | リモコン |
| * 201 | V8294900 | LID | 71-0910-02000 | 71-0910-02000 | JUCRTKAL | 電池蓋 |
| * 201-1 | AAK13340 | REMOTE CONTROL | RAV15 | RC7060-01-0026 | UCATKBG | リモコン |
| 202 | V6267000 | LID | BLJYE 60050001 | 60050001 | UCATKBG | 電池蓋 |
| 202 | VQ147100 | INDOOR FM ANTENNA | 1.4m 1pc | | JUCRTK | FM簡易アンテナ |
| 202 | VR248500 | INDOOR FM ANTENNA | 1.4m 1pc | | ABGL | FM簡易アンテナ |
| 203 | VR248500 | AM LOOP ANTENNA | 1.0m 1pc | | | AMループアンテナ |
| 204 | VE364900 | ANTENNA ADAPTER | PAL 75-300Ω | | B | 整合器 |
| * 205 | V8901300 | VIDEO PIN CABLE | 3P 1.5m RE/WH/YE | | UCA | ビデオ用ピンケーブル |
| | | BATTERY, MANGANESE | UM-4NE (2PC) | | JUCRTKAL | マンガン電池 2PC |
| | | BATTERY, MANGANESE | SUM-3, AA, R06 | | UCATKBG | マンガン電池 |

* New Parts * 新規部品(マーク#の部品は、基板に含まれません)

Parts List for Carbon Resistors

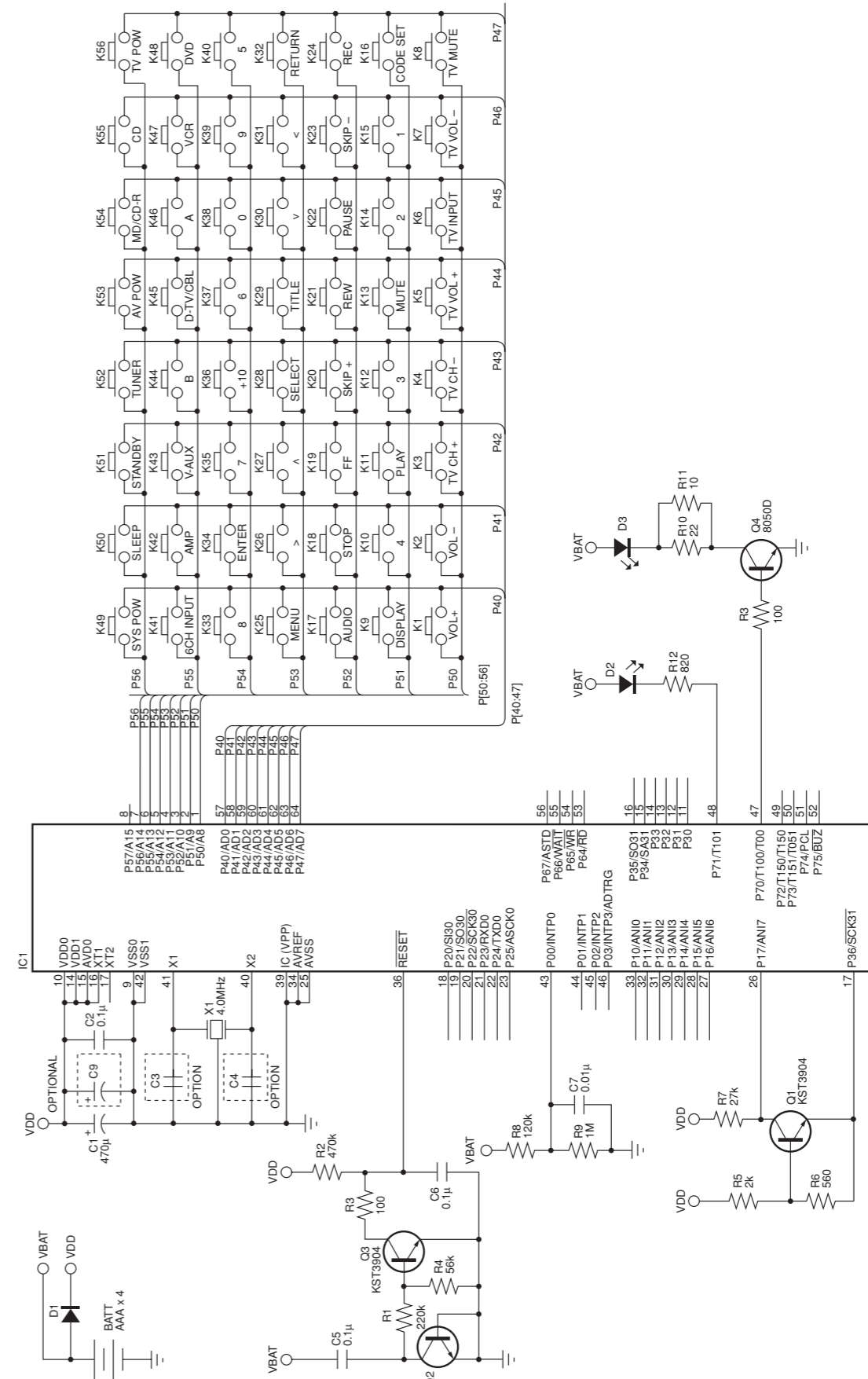
| Value | 1/4W Type Part No. | 1/6W Type Part No. | Value | 1/4W Type Part No. | 1/6W Type Part No. |
|-------|--------------------|--------------------|-------|--------------------|--------------------|
| 1.0 | HJ35 3100 | HF85 3100 | 10 k | HF45 7100 | HF45 7100 |
| 1.8 | HJ35 3180 | * | 11 k | HF45 7110 | HF45 7110 |
| 2.2 | HJ35 3220 | HF85 3220 | 12 k | HJ35 7120 | HF85 7120 |
| 3.3 | HJ35 3330 | HF85 3330 | 13 k | HF45 7130 | HF45 7130 |
| 4.7 | HJ35 3470 | HF85 3470 | 15 k | HF45 7150 | HF45 7150 |
| 5.6 | HJ35 3560 | HF85 3560 | 18 k | HF45 7180 | HF45 7180 |
| 10 | HF45 4100 | HF45 4100 | 22 k | HF45 7220 | HF45 7220 |
| 15 | HJ35 4150 | HF85 4150 | 24 k | HF45 7240 | HF45 7240 |
| 22 | HF45 4220 | HF45 4220 | 27 k | HJ35 7270 | HF85 7270 |
| 27 | HJ35 4270 | HF85 4270 | 30 k | HF45 7300 | HF45 7300 |
| 33 | HF45 4330 | HF45 4330 | 33 k | HF45 7330 | HF45 7330 |
| 39 | HJ35 4470 | HF85 4390 | 36 k | HF45 7360 | HF45 7360 |
| 47 | HF45 4470 | HF45 4470 | 39 k | HF45 7390 | HF45 7390 |
| 56 | HF45 4560 | HF45 4560 | 47 k | HF45 7470 | HF45 7470 |
| 68 | HF45 4680 | HF45 4680 | 51 k | HF45 7510 | HF45 7510 |
| 75 | HF45 4750 | HF45 4750 | 56 k | HF45 7560 | HF45 7560 |
| 82 | HF45 4820 | HF45 4820 | 62 k | HF45 7620 | HF45 7620 |
| 91 | HF45 4910 | HF45 4910 | 68 k | HF45 7680 | HF45 7680 |
| 100 | HF45 5100 | HF45 5100 | 82 k | HF45 7820 | HF45 7820 |
| 110 | HJ35 5110 | HF85 5110 | 91 k | HF45 7910 | HF45 7910 |
| 120 | HF45 5120 | HF45 5120 | 100 k | HF45 8100 | HF45 8100 |
| 150 | HF45 5150 | HF45 5150 | 110 k | HF45 8110 | HF45 8110 |
| 160 | HJ35 5160 | * | 120 k | HF45 8120 | HF45 8120 |
| 180 | HF45 5180 | HF45 5180 | 150 k | HF45 8150 | HF45 8150 |
| 200 | HF45 5200 | HF45 5200 | 180 k | HF45 8180 | HF45 8180 |
| 220 | HF45 5220 | HF45 5220 | 220 k | HJ35 8220 | HF85 8220 |
| 270 | HF45 5270 | HF45 5270 | 270 k | HF45 8270 | HF45 8270 |
| 330 | HF45 5330 | HF45 5330 | 300 k | HF45 8300 | HF45 8300 |
| 390 | HF45 5390 | HF45 5390 | 330 k | HF45 8330 | HF45 8330 |
| 430 | HF45 5430 | HF45 5430 | 390 k | HJ35 8390 | HF85 8390 |
| 470 | HF45 5470 | HF45 5470 | 470 k | HF45 8470 | HF45 8470 |
| 510 | HF45 5510 | HF45 5510 | 560 k | HJ35 8560 | HF85 8560 |
| 560 | HF45 5560 | HF45 5560 | 680 k | HJ35 8680 | HF85 8680 |
| 680 | HF45 5680 | HF45 5680 | 820 k | HJ35 8820 | HF85 8820 |
| 820 | HF45 5820 | HF45 5820 | 1.0 M | HF45 9100 | HF45 9100 |
| 910 | HF45 5910 | HF45 5910 | 1.2 M | HJ35 9120 | * |
| 1.0 k | HF45 6100 | HF45 6100 | 1.5 M | HJ35 9150 | HF85 9150 |
| 1.2 k | HF45 6120 | HF45 6120 | 1.8 M | HJ35 9180 | HF85 9180 |
| 1.5 k | HF45 6150 | HF45 6150 | 2.2 M | HJ35 9220 | HF85 9220 |
| 1.8 k | HF45 6180 | HF45 6180 | 3.3 M | HJ35 9330 | HF85 9330 |
| 2.0 k | HJ35 6200 | HF85 6200 | 3.9 M | HJ35 9390 | * |
| 2.2 k | HF45 6220 | HF45 6220 | 4.7 M | HJ35 9470 | HF85 9470 |
| 2.4 k | HJ35 6240 | HF85 6240 | | | |
| 2.7 k | HF45 6270 | HF45 6270 | | | |
| 3.0 k | HF45 6300 | HF45 6300 | | | |
| 3.3 k | HF45 6330 | HF45 6330 | | | |
| 3.6 k | HJ35 6360 | HF85 6360 | | | |
| 3.9 k | HF45 6390 | HF45 6390 | | | |
| 4.7 k | HF45 6470 | HF45 6470 | | | |
| 5.1 k | HF45 6510 | HF45 6510 | | | |
| 5.6 k | HF45 6560 | HF45 6560 | | | |
| 6.8 k | HF45 6680 | HF45 6680 | | | |
| 8.2 k | HF45 6820 | HF45 6820 | | | |
| 9.1 k | HF45 6910 | HF45 6910 | | | |

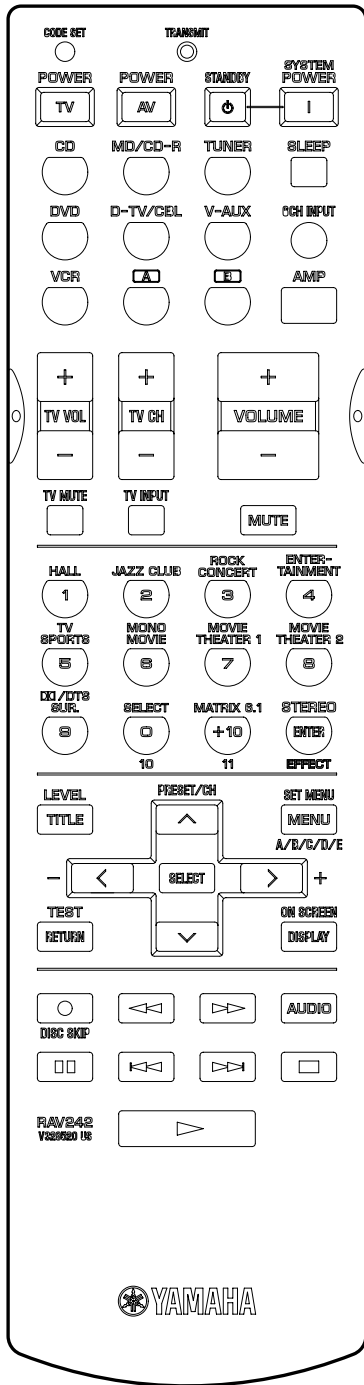


* : Not available

REMOTE CONTROL RAV242, RAV243 (RX-V530/RX-V530RDS/HTR-5550/HTR-5550RDS/DSP-AX530/RX-V430/DSP-AX430)

SCHEMATIC DIAGRAM



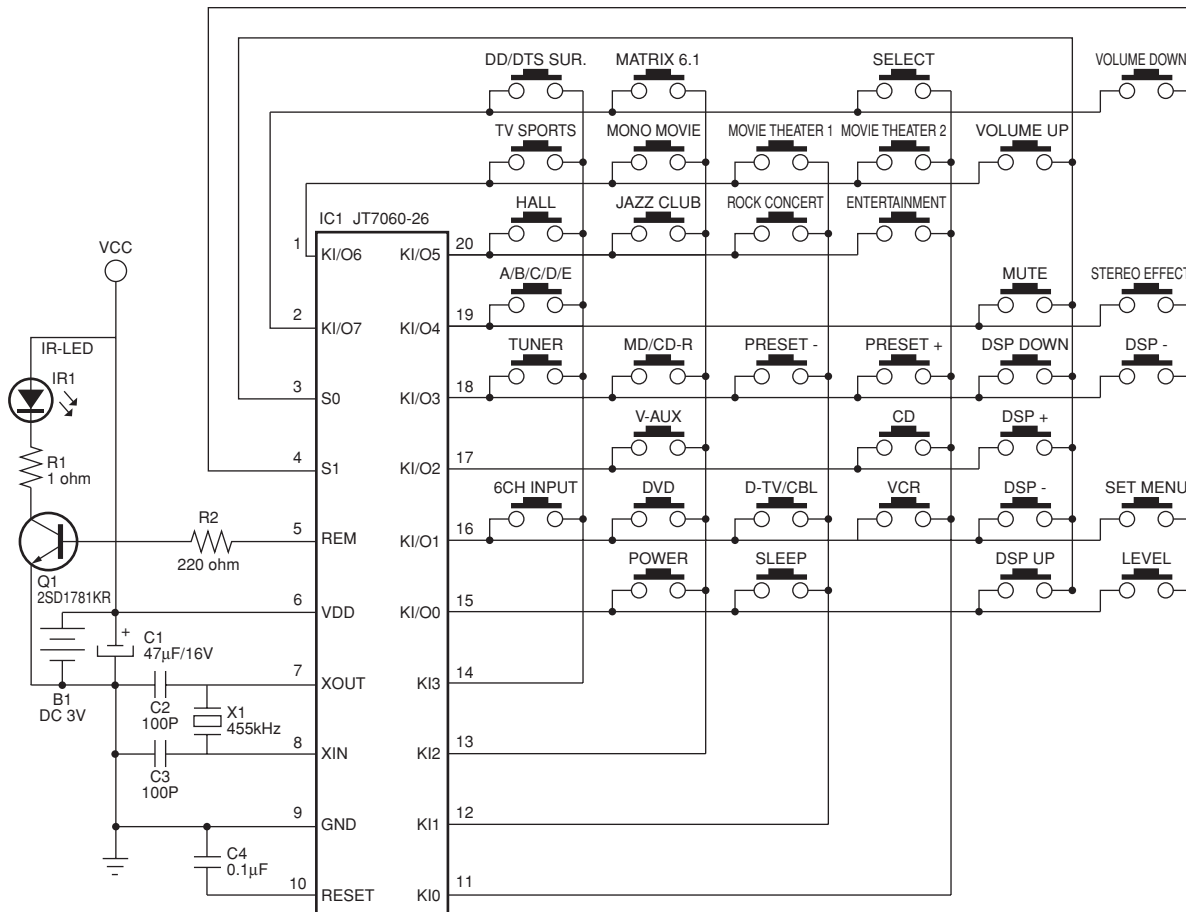


| Key No. | Function | Default Code | Schematic Key No. |
|---------|--------------|--------------|-------------------|
| 1 | TV POWER | - | K56 |
| 2 | AV POWER | 004.012 | K53 |
| 3 | STANDBY | 7A-1E | K51 |
| 4 | SYSTEM POWER | 7A-1D | K49 |
| 5 | CD | 7A-15 | K55 |
| 6 | MD/CD-R | 7A-C9 | K54 |
| 7 | TUNER | 7A-16 | K52 |
| 8 | SLEEP | 7A-57 | K50 |
| 9 | DVD | 7A-C1 | K48 |
| 10 | D-TV/CBL | 7A-54 | K45 |
| 11 | V-AUX | 7A-55 | K43 |
| 12 | 6CH INPUT | 7A-87 | K41 |
| 13 | VCR | 7A-0F | K47 |
| 14 | A | 7A-13 | K46 |
| 15 | B | - | K44 |
| 16 | TV VOL + | - | K5 |
| 17 | TV CH + | - | K3 |
| 18 | VOLUME + | 7A-1A | K1 |
| 19 | TV VOL - | - | K7 |
| 20 | TV CH - | - | K4 |
| 21 | VOLUME - | 7A-1B | K2 |
| 22 | TV MUTE | - | K8 |
| 23 | TV INPUT | - | K6 |
| 24 | MUTE | 7A-1C | K13 |
| 25 | 1 | 004.001 | K15 |
| 26 | 2 | 004.002 | K14 |
| 27 | 3 | 004.003 | K12 |
| 28 | 4 | 004.004 | K10 |
| 29 | 5 | 004.005 | K40 |
| 30 | 6 | 004.006 | K37 |
| 31 | 7 | 004.007 | K35 |
| 32 | 8 | 004.008 | K33 |
| 33 | 9 | 004.009 | K39 |
| 34 | 0 | 004.000 | K38 |
| 35 | +10 | 004.120 | K36 |
| 36 | ENTER | - | K34 |
| 37 | TITLE | 004.113 | K29 |
| 38 | ^ | 004.088 | K27 |
| 39 | MENU | 004.084 | K25 |
| 40 | < | 004.090 | K31 |
| 41 | SELECT | 004.092 | K28 |
| 42 | > | 004.091 | K26 |
| 43 | RETURN | 004.131 | K32 |
| 44 | v | 004.089 | K30 |
| 45 | DISPLAY | 004.015 | K9 |
| 46 | REC | - | K24 |
| 47 | REW | 004.041 | K21 |
| 48 | FF | 004.040 | K19 |
| 49 | AUDIO | - | K17 |
| 50 | PAUSE | 004.048 | K22 |
| 51 | SKIP - | 004.033 | K23 |
| 52 | SKIP + | 004.032 | K20 |
| 53 | STOP | 004.049 | K18 |
| 54 | PLAY | 004.044 | K11 |

RX-V530/RX-V530RDS/HTR-5550/HTR-5550RDS/DSP-AX530
 RX-V430/RX-V430RDS/HTR-5540/HTR-5540RDS/DSP-AX430

■ REMOTE CONTROL RAV15 (RX-V430RDS/HTR-5540/HTR-5540RDS)

● SCHEMATIC DIAGRAM



Function Keychart

| Function | Custom Code (Hex) | Data |
|---------------|-------------------|------|
| POWER | 7A | 1F |
| SLEEP | 7A | 57 |
| 6CH INPUT | 7A | 87 |
| DVD | 7A | C1 |
| D-TV/CBL | 7A | 54 |
| VCR | 7A | 0F |
| V-AUX | 7A | 55 |
| CD | 7A | 15 |
| TUNER | 7A | 16 |
| MD/CD-R | 7A | C9 |
| PRESET - | 7A | 11 |
| PRESET + | 7A | 10 |
| A/B/C/D/E | 7A | 12 |
| HALL | 7A | 88 |
| JAZZ CLUB | 7A | 89 |
| ROCK CONCERT | 7A | 8A |
| ENTERTAINMENT | 7A | 8B |
| TV SPORTS | 7A | 8C |

| Function | Custom Code (Hex) | Data |
|-----------------|-------------------|------|
| MONO MOVIE | 7A | 8D |
| MOVIE THEATER 1 | 7A | 8E |
| MOVIE THEATER 2 | 7A | 8F |
| DD/DTS SUR. | 7A | 90 |
| MATRIX 6.1 | 7A | 97 |
| SELECT | 7A | 96 |
| LEVEL | 7A | 86 |
| DSP UP | 7A | 98 |
| SET MENU | 7A | 9C |
| DSP - | 7A | 53 |
| DSP + | 7A | 52 |
| TEST | 7A | 85 |
| DSP DOWN | 7A | 99 |
| STEREO EFFECT | 7A | 56 |
| MUTE | 7A | 1C |
| VOLUME UP | 7A | 1A |
| VOLUME DOWN | 7A | 1B |

